



WESTERN RUBBER AND MANUFACTURING SINCE 1977

Prices
Effective
May 15, 2008

Water Well

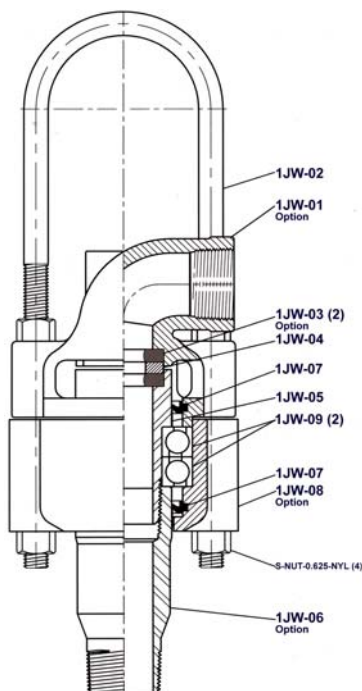
* 1JW	* 30PG	* 20WIR
* 25DM	* 30WX	* 60PG
* 2JW	* 40PG-40	* 20WIRA
* 25CHD	* 15WXA	* 40RM-50RR
* 3JW	* 50PG	* 15WM
* 25CHD-R	* 20WXA	* 40PGIR
* 15WX	* 40PG	* 15WMA
* 25CHD-50RR	* 30WXA	* 40PGIR-50RR
* 20WX	* 40RM	* 25AM

7015 Old Hwy 105 W.
Conroe, TX 77304
Office (936) 588-3033 Fax (936) 588-3132
Toll Free (800) 367-5285

"SERVING THE WATER, MONITORING & ENERGY INDUSTRIES"

1JW Swivel

- For all types of drilling requiring a small light weight swivel
- Alloy steel BAIL, SPINDLE, and LOWER CONNECTION
- High thrust ball bearings in a grease lubricated sealed housing
- Simple design allows quick packing replacement and easy field repairs.
- Available with several different hose connections.
- Special lower connections available upon request.



TECHNICAL DATA

MODEL	LENGTH	WT/LB ALUM. IRON	HOSE CONN. NPT	LOWER CONN* LH OR RH NPT	WATER COURSE	WORKING PRESSURE
1JW	13"	10.0 15.0	1" FEMALE 1-1/4" MALE	1" OR 1-1/4"	1"	300 PSI

CAPACITIES & SAFE DRILL DEPTHS

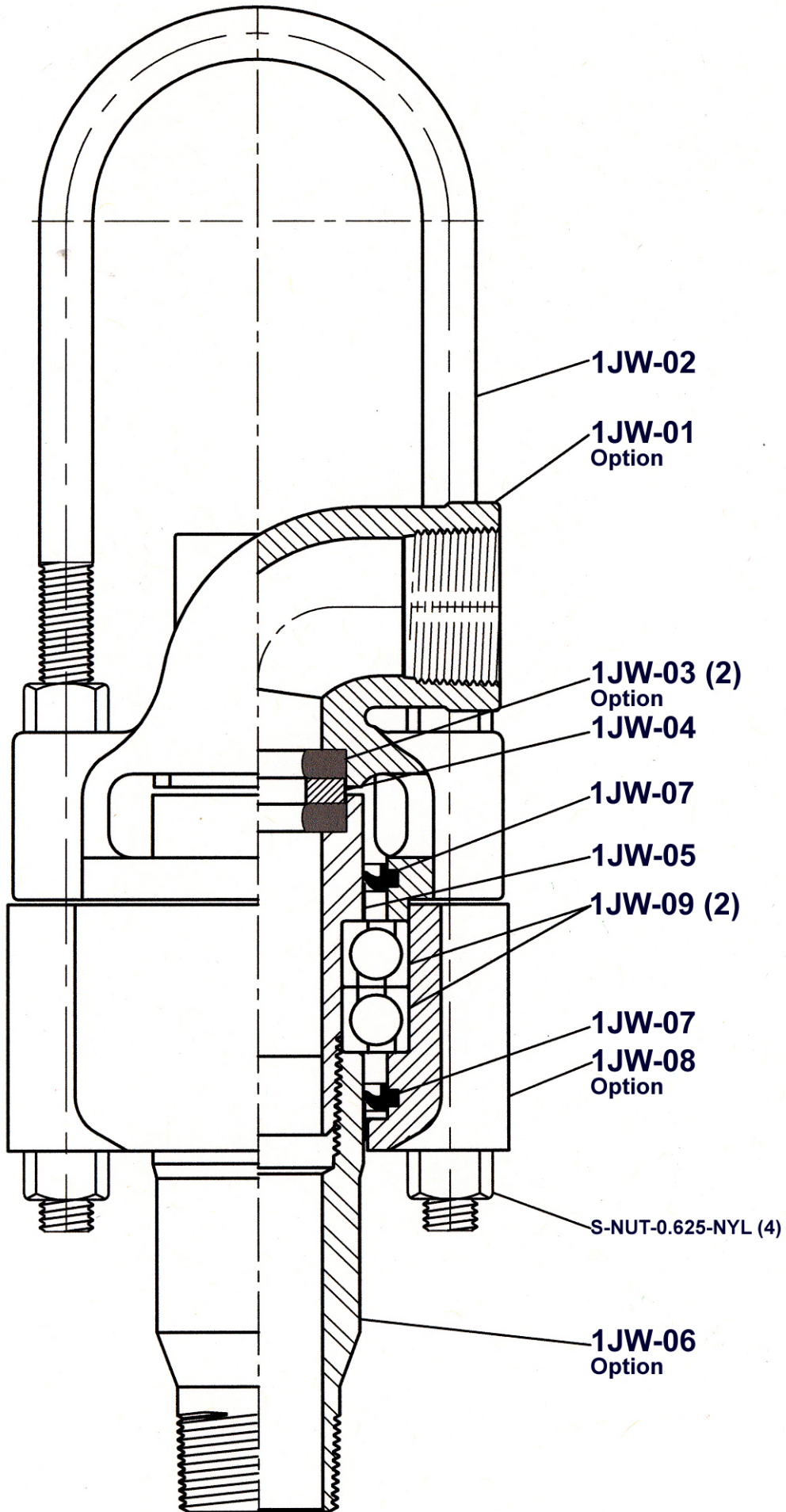
MODEL	STATIC LOAD	DRILL DEPTH	DRILL PIPE SIZE
1JW	5,000 LBS.	500 FT. @ 100 RPM	1-1/4" STANDARD PIPE

PARTS LIST

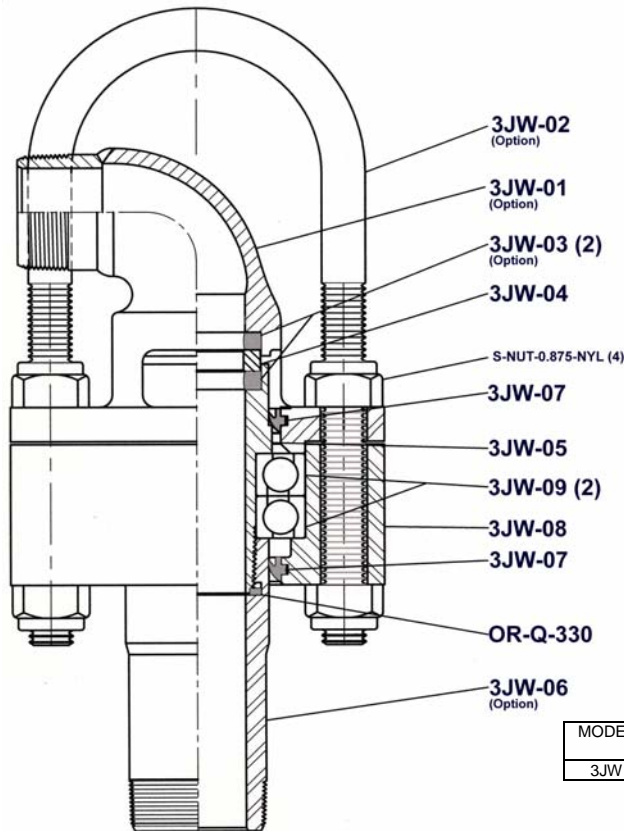
PART NUMBER	NAME	WT/LBS	QTY. REQ.	PRICE
1JW-2010-XX	SWIVEL, IRON OR ALUM., 1" FEMALE OR 1 1/4" MALE NPT HOSE CONNECTION WITH 1 1/4" NPT LEFT OR RIGHT HAND PIN LOWER CONNECTION			564.43
	ADD FOR SPECIAL LOWER CONNECTION			155.00
1JW-01B	IRON GOOSENECK, 1" FEMALE	4.12	Option	198.48
1JW-01C	IRON GOOSENECK, 1 1/4" MALE	4.12	1	198.48
1JW-01AB	ALUM. GOOSENECK, 1" FEMALE	1.56	Option	198.48
1JW-01AC	ALUM. GOOSENECK, 1 1/4" MALE	1.56	Option	198.48
1JW-02	BAIL WITH NUTS	1.62	1	49.73
1JW-03	+ PACKING	.03	2	8.34 ea
1JW-03-90	PACKING, 90 DURO	.03	Option	8.34 ea
1JW-03V	PACKING, VITON	.03	Option	26.97 ea
1JW-04	+ WEARBUSHING	.18	1	28.21
1JW-05	BEARING SPINDLE	1.12	1	105.56
1JW-06BA-RP	LOWER CONNECTION, 1" NPT RH PIN	1.50	Option	275.37
1JW-06BA-LP	LOWER CONNECTION, 1" NPT LH PIN	1.50	Option	275.37
1JW-06CA-RP	LOWER CONNECTION, 1 1/4" NPT RH PIN	1.50	Option	120.37
1JW-06CA-LP	LOWER CONNECTION, 1 1/4" NPT LH PIN	1.50	1	120.37
1JW-06YA-RP	LOWER CONNECTION, A ROD RH PIN	3.00	Option	275.37
1JW-07	+ HOUSING SEALS	.06	2	18.57 ea
1JW-07V	HOUSING SEALS VITON	.06	Option	29.40 ea
1JW-08A	ALUM., BEARING HOUSING	1.50	Option	180.15
1JW-08	IRON, BEARING HOUSING	4.00	1	180.15
1JW-09	+ BEARINGS	1.68	2	60.82 ea
1JW-40	MAINTENANCE KIT: (8) 1JW-03 (1) 1JW-04			90.18
1JW-40R	REPAIR KIT + Included in Repair Kit			193.47

Other sizes of connections available, please consult factory.

Option for above swivel, may affect pricing of complete swivel. Other options available, please consult factory.



3JW



- For all types of drilling
- For rotating speed to 500 RPM
- Constructed from a high grade alloy steel
- Grease lubricated thrust ball bearings in a sealed housing
- Available with or without stiff bail
- Compact
- Simple design allows for easy field maintenance and repair
- Choice of lower connection threads

TECHNICAL DATA

MODEL	LENGTH	WT/LBS	HOSE CONN.	LOWER CONN* RH OR LH NPT	WATER COURSE	WORKING PRESSURE
3JW	19"	36	2" PIN	2" OR 2-1/2" PIN	MAX. 2"	300 PSI

CAPACITIES & SAFE DRILL DEPTHS

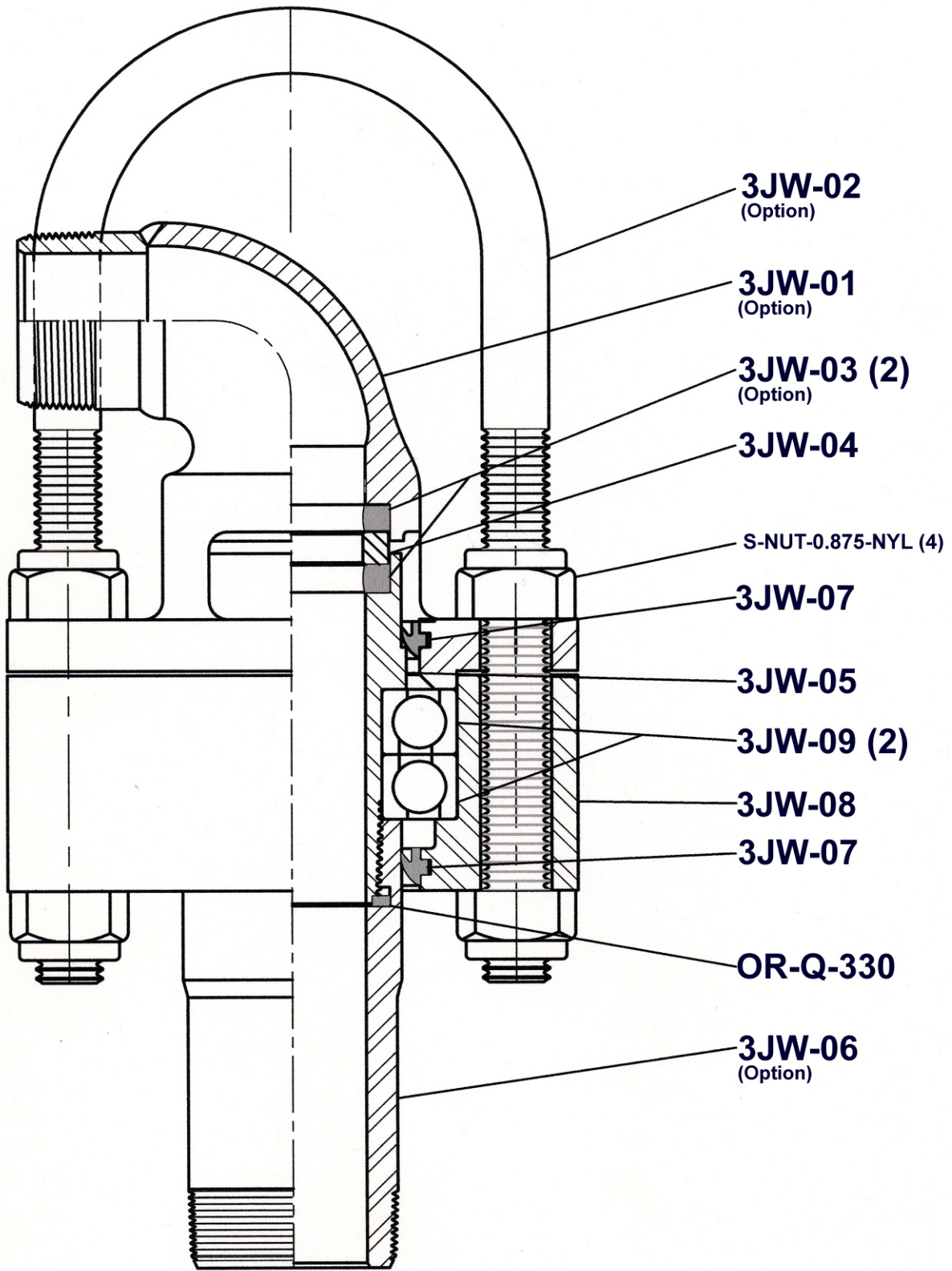
MODEL	STATIC LOAD	ROTATING LOADS	ROTATING SPEED	DRILL DEPTH	PIPE SIZE
3JW	10,000 LBS.	7,200 LBS.	100 RPM	2000 FT	2" STANDARD PIPE

PARTS LIST

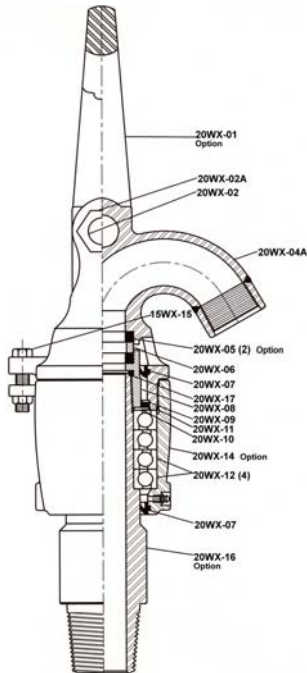
PART NO.	NAME	WT/LBS	QTY. REQ.	PRICE
3JW-2030-XX	WESTERN SWIVEL, BAIL, 2" NPT MALE OR FEMALE HOSE CONNECTION, WITH 2" RIGHT OR LEFT HAND PIN LOWER CONNECTION			1001.68
	ADD FOR SPECIAL LOWER CONNECTION			155.00
3JW-01	GOOSENECK, 2" NPT MALE HOSE CONNECTION	8.00	Option	418.66
3JW-02	BAIL WITH NUTS	6.00	1	114.44
3JW-02L	BAIL, LONG WITH NUTS	7.50	Option	139.17
3JW-02A	STUDS WITH NUTS	2.00	Option	17.47
3JW-03	+ PACKING	.06	2	10.89 ea
3JW-03-90	PACKING, 90 DURO	.06	Option	10.89 ea
3JW-03V	PACKING VITON	.06	Option	32.26 ea
3JW-04	+ WEARBUSHING	.25	1	31.00
3JW-05	BEARING SPINDLE	3.00	1	201.10
3JW-06EA-RP	LOWER CONNECTION, 2" NPT RH PIN	4.00	Option	244.61
3JW-06EA-LP	LOWER CONNECTION, 2" NPT LH PIN	4.00	1	244.61
3JW-06TA-RP	LOWER CONNECTION, 2 1/2" NPT RH PIN	6.00	Option	399.61
3JW-06TA-LP	LOWER CONNECTION, 2 1/2" NPT LH PIN	6.00	Option	399.61
3JW-07	+ HOUSING SEAL	.25	2	24.71 ea
3JW-07V	HOUSING SEAL VITON	.25	Option	44.74 ea
3JW-08	BEARING HOUSING	9.00	1	297.30
3JW-09	+ BEARING	3.00	2	109.17 ea
OR-Q-330	+ SPINDLE THREAD SEAL	.06	1	9.13
3JW-40	MAINTENANCE KIT (8) 3JW-03 (1) 3JW-04			112.21
3JW-40R	REPAIR KIT + Included in Repair Kit			313.19

Other sizes of connections available, please consult factory.

Option for above swivel, may affect pricing of complete swivel. Other options available, please consult factory.



20 WX



- For WATER, GEOPHYSICAL, and MONITORING well drilling
- Light Weight
- Alloy Steel construction for strength
- Large Watercourse
- For Pulldown or Kelly Bar machines
- Flexible BAIL or ELEVATOR SHANK available
- Thrust ball bearings support drill pipe load while providing radial capacity.
- Seal Bearing Case with grease lubrication
- TRUNNION PINS available
- Choice of lower connection threads
- Designed for easy field service and maintenance

TECHNICAL DATA

MODEL #	LENGTH	WT/LBS EACH	HOSE CONN. FEMALE	LOWER CONN* PIN	WATER COURSE	WORKING PRESSURE	BAIL OPENING
20WX	34"	140	2 1/2" NPT	3 1/2" OD 8-V LH	2 1/2" ID	To 300 PSI	4 1/2" X 8"

SAFE WEIGHT LOADS

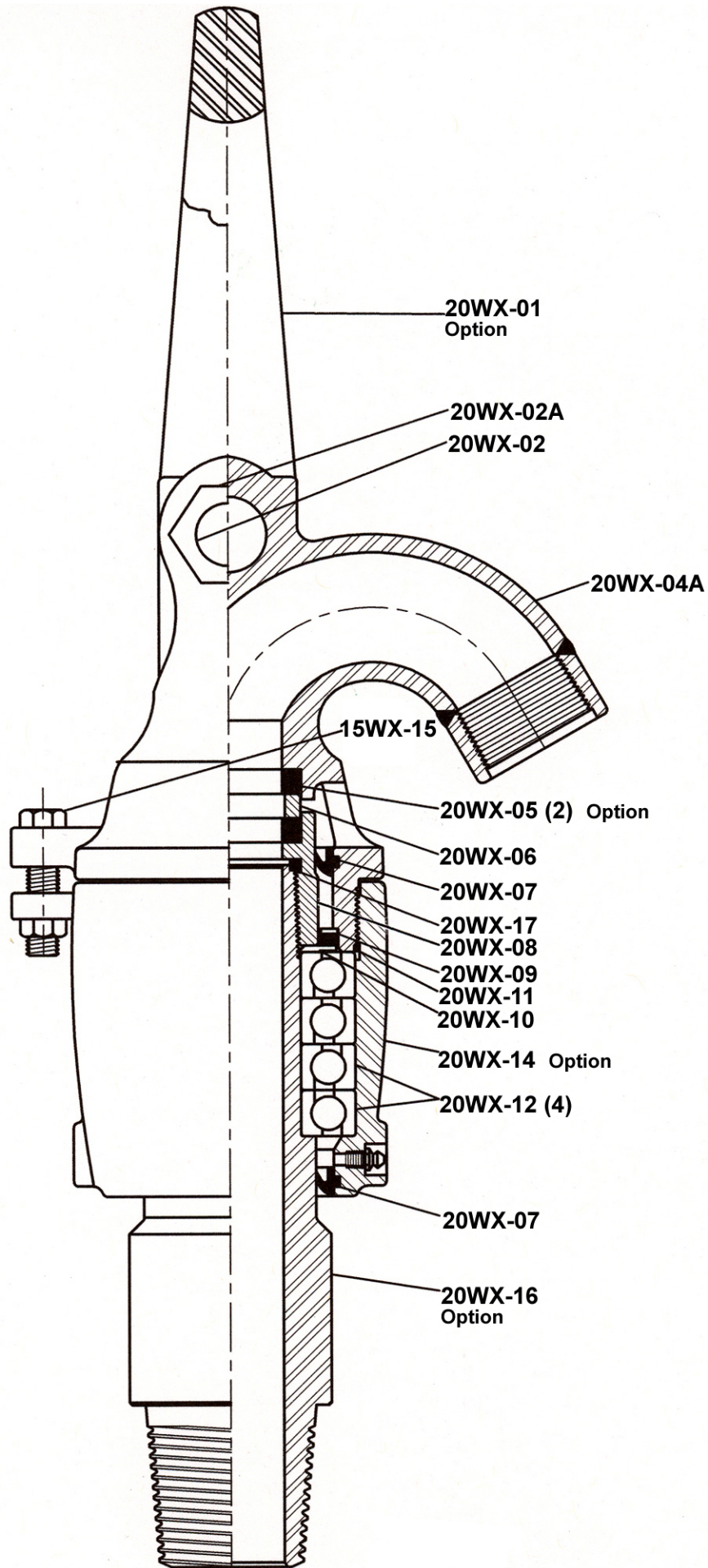
MODEL #	STATIC LOAD	ROTATING LOAD	SAFE DEPTH			
			2-3/8", 6.65	2-7/8", 10.4	3-1/2", 13.3	4-1/2", 16.6
20WX	70,000 LBS.	36,000 LBS. @ 100 RPM	3,600 FT	2,400 FT	1,800 FT	----

PARTS LIST

PART NO.	DESCRIPTION	WT/LBS	QTY. REQ.	PRICE
20WX-3020-XX	WESTERN SWIVEL, LESS BAIL, 2 1/2" NPT FEMALE HOSE CONNECTION WITH 3 1/2" OD 8V LH PIN / 3 1/2" IF LH PIN LOWER CONNECTION			3356.81
	ADD FOR BAIL			519.88
	ADD FOR PULLDOWN TRUNNION PINS			280.00
	ADD FOR SPECIAL LH PIN LOWER CONNECTION			275.00
20WX-01	BAIL	21.00	1	519.88
20WX-02	BAIL PIN	4.00	1	271.05
20WX-02A	BAIL PIN NUT	.75	2	10.92 ea
20WX-04A	GOOSENECK, 2 1/2" NPT FEMALE HOSE CONNECTION	43.00	1	1339.19
20WX-05	+ PACKING	.25	2	15.34 ea
20WX-05-90	PACKING, 90 DURO HIGH PRESSURE	.25	Option	15.34 ea
20WX-05V	PACKING, VITON	.25	Option	42.56 ea
20WX-06	+ WEARBUSHING	1.00	1	46.90
20WX-07	+ HOUSING SEALS	.12	2	24.16 ea
20WX-07V	HOUSING SEALS, VITON	.12	Option	59.53 ea
20WX-08	SPINDLE NUT	4.50	1	316.38
20WX-09	+ SHIELD SEAL	.37	1	41.55
20WX-10	+ BEARING SHIELD	.50	1	60.09
20WX-11	BEARING RETAINER WIRE	.12	1	10.36
20WX-12	+ BEARINGS	4.25	4	197.90 ea
20WX-14	BEARING HOUSING	28.00	1	1166.00
20WIR-14A	BEARING HOUSING, 7 1/2" SHOULDERS / 2" TRUNNION PINS	37.00	Option	1446.00
20WIR-14B	BEARING HOUSING, 8 5/16" SHOULDERS / 2" TRUNNION PINS	37.00	Option	1446.00
15WX-15	LOCK SCREW AND NUT, BEARING HOUSING	.25	1	7.84
20WX-16JD-LP	LOWER CONNECTION, 3 1/2" OD 8-V LH PIN	28.00	1	989.13
20WX-16JE-LP	LOWER CONNECTION, 3 1/2" IF LH PIN	34.00	Option	989.13
20WX-16GE-LP	LOWER CONNECTION, 2 7/8" IF LH PIN	33.00	Option	1264.13
20WX-17	+ SPINDLE THREAD SEAL	.06	1	18.48
20WX-40	MAINTENANCE KIT (8) 20WX-05, (1) 20WX-06			161.44
20WX-40R	REPAIR KIT + Included in Repair Kit			985.74

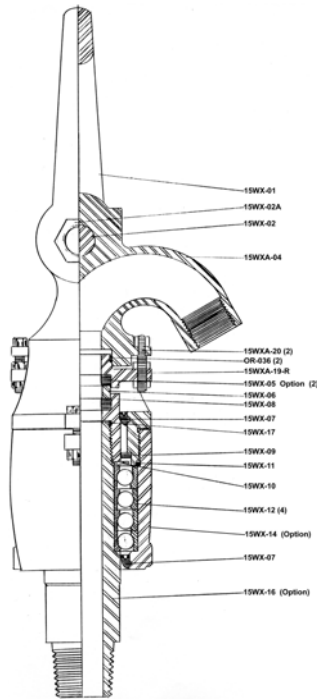
Other sizes of connections available, please consult factory.

Option for above swivel, may affect pricing of complete swivel. Other options available, please consult factory.



15 WXA

Adjustable Packing Swivel



- For WATER, GEOPHYSICAL, and MONITORING well drilling
- Light Weight
- Alloy Steel construction for strength
- Large Watercourse
- For Pulldown or Kelly Bar machines
- Flexible BAIL or ELEVATOR SHANK available
- Thrust ball bearings support drill pipe load while providing radial capacity.
- Seal Bearing Case with grease lubrication
- TRUNNION PINS available
- Choice of lower connection threads
- Designed for easy field service and maintenance

TECHNICAL DATA

LENGTH OVERALL	WT/LBS EACH	HOSE CONN. FEMALE	LOWER CONN* PIN	WATER COURSE	WORKING OPENING	BAIL OPENING
36"	125	2" NPT	2-7/8" OD 8-V LH	MAX 2" ID	To 300 PSI	3-3/4" X 8"

SAFE WEIGHT LOADS

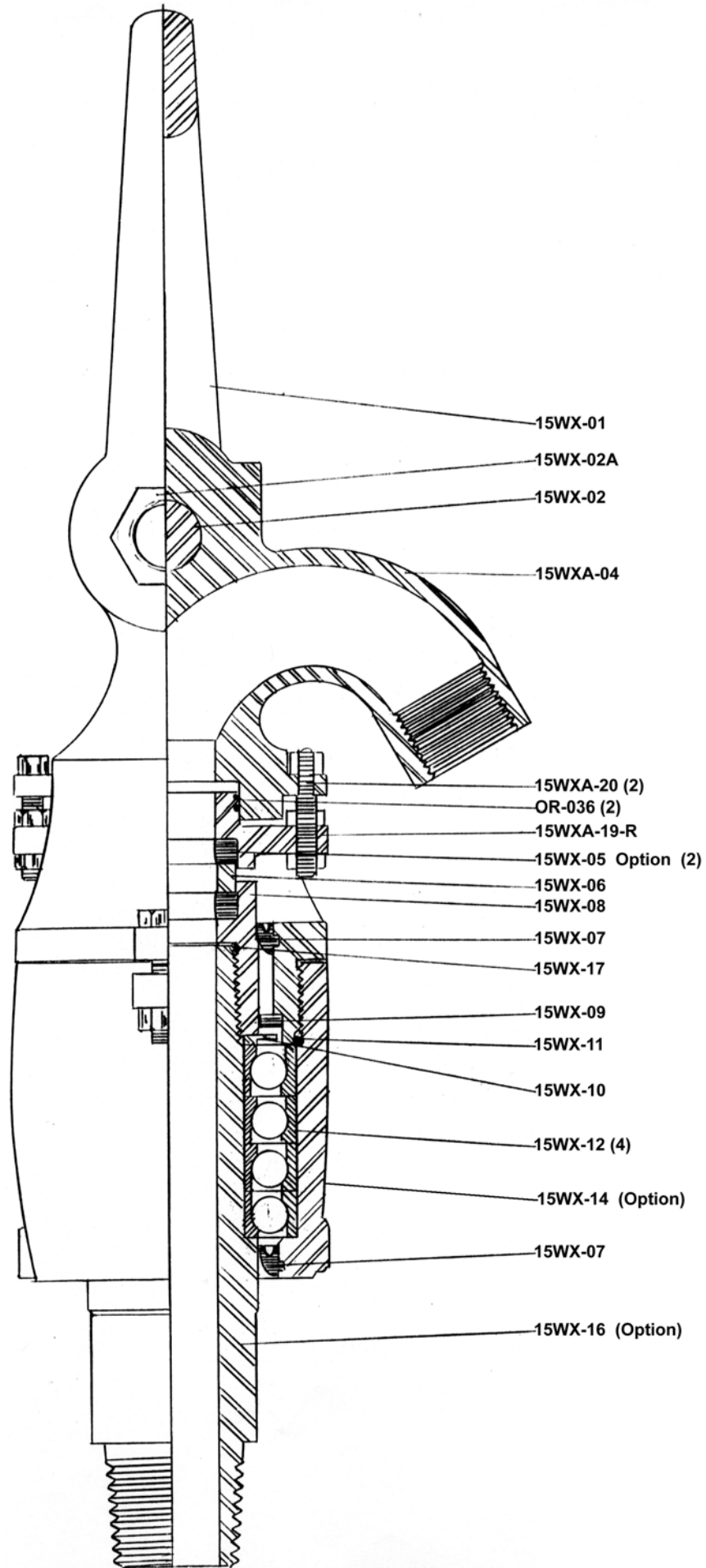
STATIC LOAD	ROTATING LOAD	SAFE DEPTH			
		2-3/8", 6.65	2-7/8", 10.4	3-1/2", 13.3	4-1/2", 16.6
50,000 LBS.	27,000 LBS. @ 100 RPM	2,700 FT	1,800 FT	---	---

PARTS LIST

PART NUMBER	DESCRIPTION	WT/LB EACH	QTY. REQ.	PRICE
15WXA-3010-XX	WESTERN SWIVEL, LESS BAIL, 2" NPT FEMALE HOSE CONNECTION, WITH ADJUSTABLE PACKING, WITH 2 7/8" OD 8-V LH PIN LOWER CONNECTION			3043.69
	ADD FOR BAIL			414.64
	ADD FOR "SPECIAL SPINDLE"			275.00
	ADD FOR TRUNNION PINS			280.00
15WX-01	BAIL	16.00	OPTION	414.64
15WX-01E	ELEVATOR SHANK	38.00	OPTION	1338.90
15WX-02	BAIL PIN	3.50	1	234.48
15WX-02A	BAIL PIN NUT	.50	2	6.65 ea
15WXA-04A	GOOSENECK, 2" NPT FEMALE	43.00	1	1339.19
15WX-05	+ PACKING	.25	2	13.88 ea
15WX-05-90	PACKING, 90 DURO (RED)	.25	OPTION	13.88 ea
15WX-05V	PACKING, VITON	.25	OPTION	42.56 ea
15WX-06	+ WEARBUSHING	.50	1	46.90
15WX-07	+ HOUSING SEAL	.12	2	23.01 ea
15WX-07V	HOUSING SEAL, VITON	.12	OPTION	54.77 ea
15WX-08	SPINDLE NUT	3.50	1	277.31
15WX-09	+ SHIELD SEAL	.25	1	41.55
15WX-10	+ BEARING SHIELD	.37	1	58.55
15WX-11	BEARING RETAINER WIRE	.12	1	19.13
15WX-12	+ BEARINGS	2.75	4	153.85 ea
15WX-14	BEARING HOUSING	16.00	1	840.78
15WX-14A	BEARING HOUSING, 2" OD PINS	28.00	OPTION	1120.78
15WX-15	LOCK SCREW AND NUT, BEARING HOUSING	.25	1	7.84
15WX-16GD-LP	SPINDLE, 2 7/8" OD 8V LH PIN	15.00	1	694.39
15WX-16GE-LP	SPINDLE, 2 7/8" IF LH PIN	23.00	OPTION	969.39
15WX-17	+ SPINDLE THREAD SEAL	.06	1	12.78
15WXA-19-R	PACKING ADJUSTING GLAND	8.25	1	454.26
15WXA-20	ADJUSTING SCREW W/NUTS	1.00	2	29.12 ea
OR-036	+ O-RING, ADJUSTING GLAND	.01	2	4.00 ea
15WX-40	MAINTENANCE KIT (8) 15WX-05, (1) 15WX-06			150.04
15WXA-40R	REPAIR KIT, + INCLUDED IN REPAIR KIT			814.11

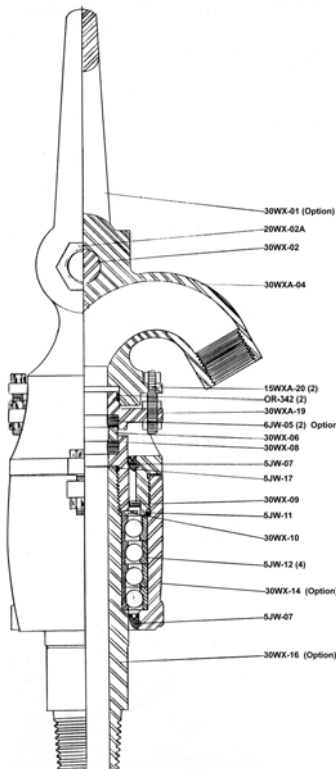
Other sizes of connections available, please consult factory.

Option for above swivel, may affect pricing of complete swivel. Other options available, please consult factory.



30 WXA

Adjustable Packing Swivel



- For WATER, GEOPHYSICAL, and MONITORING well drilling
- Light Weight
- Alloy Steel construction for strength
- Large Watercourse
- For Pulldown or Kelly Bar machines
- Flexible BAIL or ELEVATOR SHANK available
- Thrust ball bearings support drill pipe load while providing radial capacity.
- Seal Bearing Case with grease lubrication
- TRUNNION PINS available
- Choice of lower connection threads
- Designed for easy field service and maintenance

TECHNICAL DATA

LENGTH OVERALL	WT/LBS EACH	HOSE CONN. FEMALE	LOWER CONN* PIN	WATER COURSE	WORKING OPENING	BAIL OPENING
41"	225	3" NPT	4-1/2" OD 8-V LH	MAX 3" ID	To 300 PSI	5" X 8"

SAFE WEIGHT LOADS

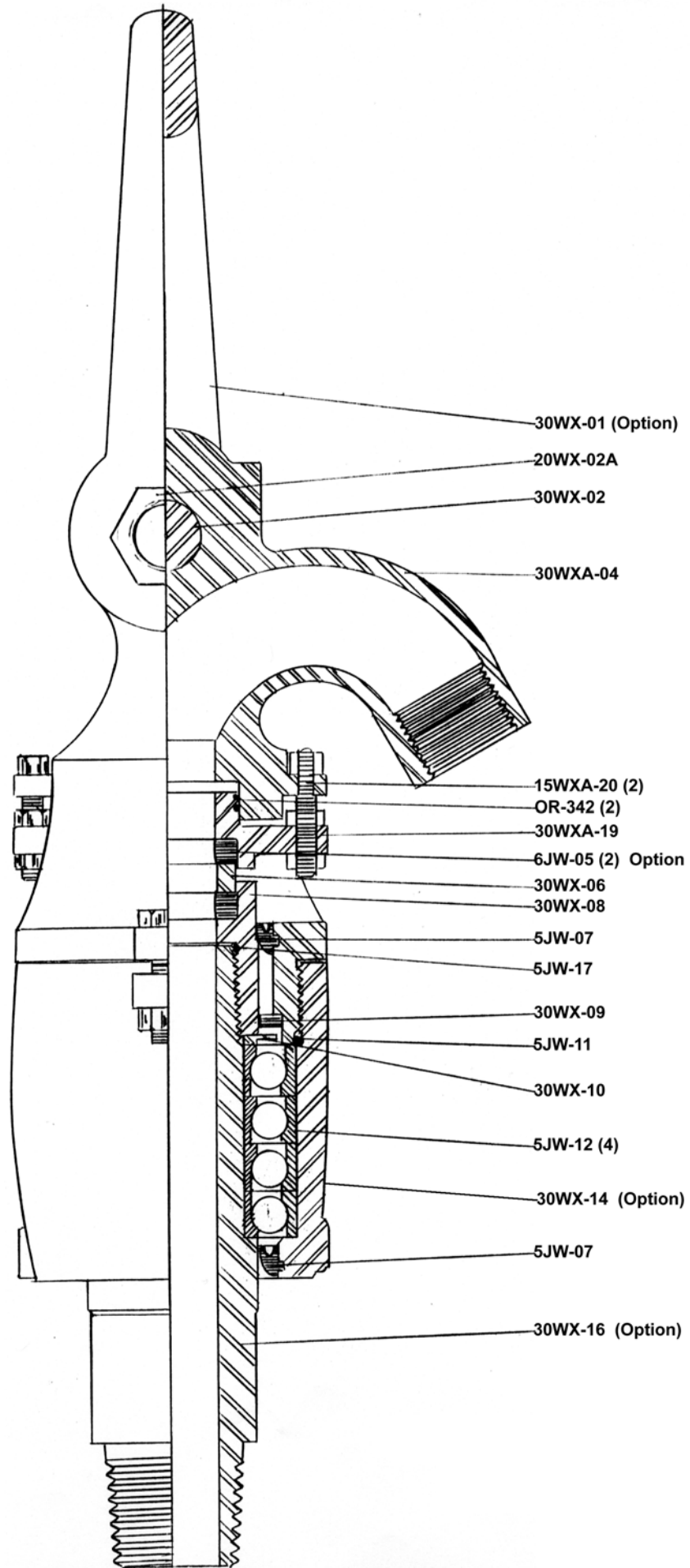
MODEL #	STATIC LOAD	ROTATING LOAD	SAFE DEPTH			
			2-3/8", 6.65	2-7/8", 10.4	3-1/2", 13.3	4-1/2", 16.6
30WXA	90,000 LBS.	50,000 LBS. @ 100 RPM	5,000 FT	3,300 FT	2,600 FT	2,100 FT

PARTS LIST

PART NUMBER	DESCRIPTION	WT/LB EACH	QTY. REQ.	PRICE
30WXA-3120-XX	WESTERN SWIVEL, LESS BAIL, 2 1/2" NPT FEMALE HOSE CONNECTION, WITH ADJUSTABLE PACKING, WITH 4 1/2" OD 8-V LH PIN LOWER CONNECTION			5891.32
	ADD FOR BAIL			828.72
	ADD FOR ELEVATOR SHANK (3 1/2" OD OR SMALLER)			1983.42
	ADD FOR "SPECIAL SPINDLE"			375.00
	ADD FOR TRUNNION PINS			280.00
30WX-01	BAIL	21.00	1	828.72
30WX-01E	ELEVATOR SHANK (3 1/2" OD OR SMALLER)	42.00	OPTION**	1983.42
30WX-02	BAIL PIN	4.00	1	271.05
30WX-02A	BAIL PIN NUT	.75	2	10.92 ea
30WXA-04A	GOOSENECK, ADJUSTABLE, 3" NPT FEMALE	58.00	1	1885.64
6JW-05	+ PACKING	.25	2	15.34 ea
6JW-05-90	PACKING, 90 DURO (RED)	.25	OPTION	15.34 ea
6JW-05V	PACKING, VITON	.25	OPTION	59.33 ea
30WX-06	+ WEARBUSHING	1.00	1	66.41
5JW-07	+ HOUSING SEAL	.12	2	26.22 ea
5JW-07V	HOUSING SEAL, VITON	.12	OPTION	66.35 ea
30WX-08	SPINDLE NUT	4.50	1	407.03
30WX-09	+ SHIELD SEAL	.37	1	60.09
30WX-10	+ BEARING SHIELD	.50	1	73.24
5JW-11	BEARING RETAINER WIRE	.12	1	12.88
5JW-12	+ BEARINGS	4.25	4	279.26 ea
30WX-14	BEARING HOUSING	37.00	1	1735.55
30WX-14A	BEARING HOUSING, 8 15/16" SHOULDERS 2" TRUNNION PINS	43.00	OPTION	2015.55
15WX-15	LOCK SCREW WITH NUT, BEARING HOUSING	45.00	1	7.84
30WX-16KD-LP	SPINDLE, 4 1/2" OD 8V LH PIN	.25	1	1092.67
30WX-16JG-LP	SPINDLE, 3 1/2" FULL HOLE LH PIN	28.00	OPTION**	1467.67
30WX-16JE-LP	SPINDLE, 3 1/2" IF LH PIN	34.00	OPTION**	1467.67
30WX-16XE-LP	SPINDLE, 3 1/2" IF LH PIN (SHORTEN PIN, 3" ID)	31.00	OPTION**	1467.67
5JW-17	+ SPINDLE THREAD SEAL	.06	1	18.48
30WXA-19	PACKING ADJUSTING GLAND	7.25	1	763.69
15WXA-20	ADJUSTING SCREW W/NUTS	1.75	2	29.12 ea
OR-342	+ O-RING, ADJUSTING GLAND	.01	2	4.00 ea
30WX-40	MAINTENANCE KIT (8) 6JW-05, (1) 30WX-06			179.67
30WXA-40R	REPAIR KIT, + INCLUDED IN REPAIR KIT			1355.06

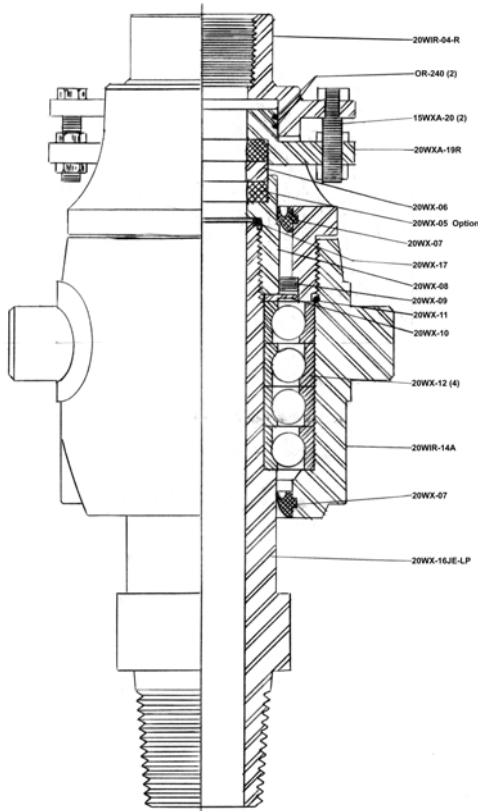
Other sizes of connections available, please consult factory.

Option for above swivel, may affect pricing of complete swivel. Other options available, please consult factory.



20WIRA SWIVEL

Adjustable Packing Swivel



- For the TH-55 and TH-60 drills
- Alloy steel construction for strength and durability
- For MUD and AIR drilling
- Trunnion pins to 2"
- Thrust ball bearings for supporting pipe load and radial load
- Designed for easy service and field maintenance
- Equal hoisting and pull down load capacity
- Longer Spindle available
- **ADJUSTABLE PACKING**

TECHNICAL

MODEL #	PACKING	LENGTH OVERALL	WT/LBS EACH	HOSE CONN. FEMALE	LOWER CONN.*	WATER PRESSURE	WORKING OPENING
20WIRA	ADJUSTABLE	24-1/2"	138	3" NPT	3-1/2" IFLH	2-1/2"	To 300 PSI

SAFE WEIGHT LOADS

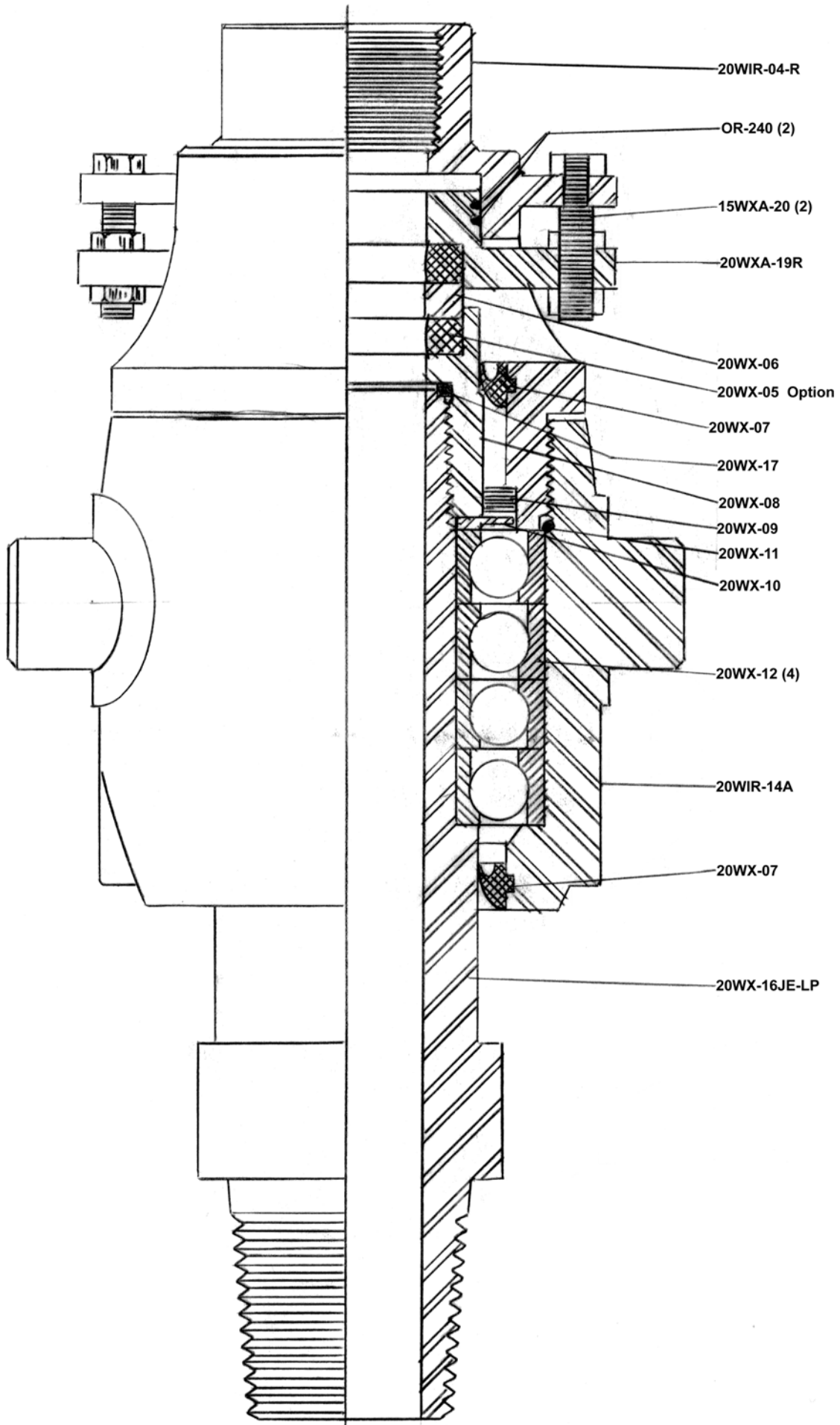
MODEL #	STATIC LOAD	ROTATING LOAD	DRILL DEPTH	SIZE/WT/FT
20WIRA	40,000 LBS.	27,000 LBS. @ 100 RPM	1,800 FT	2-7/8" / 10.4 LBS
			1,400 FT	3-1/2" / 13.3 LBS

PARTS LIST

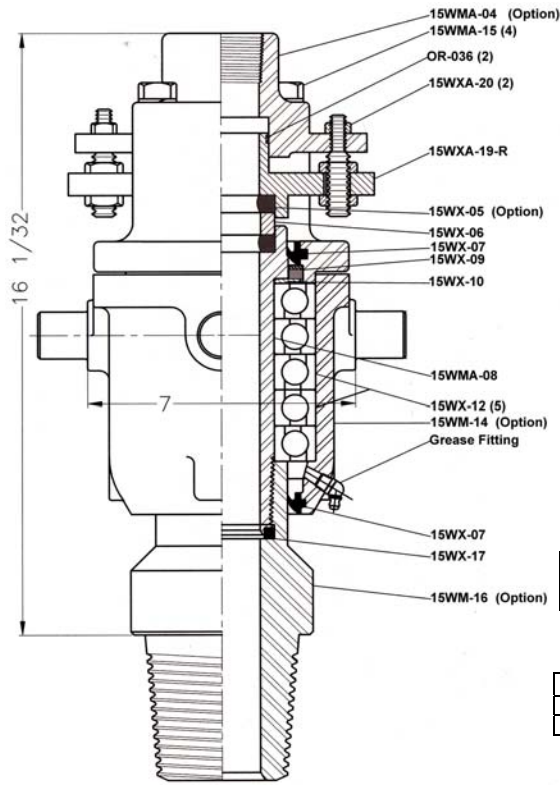
PART NO.	DESCRIPTION	QTY. REQ.	PRICE
20WIRA-3521-XX	WESTERN SWIVEL, 3" NPT FEMALE HOSE CONNECTION WITH ADJUSTABLE PACKING , TWO (2) 2" OD TRUNNION PINS ON 7 1/2" SHOULDER WITH 3 1/2" IF LH PIN LOWER CONNECTION		3975.69
	ADD FOR LONG 3 1/2" IF LH PIN LOWER CONNECTION		CONSULT
20WIRA-04-R	GOOSENECK	1	1160.88
20WX-05	+ PACKING	2	15.34 ea
20WX-05-90	PACKING, 90 DURO	Option	15.34
20WX-06	+ WEARBUSHING	1	46.90
20WX-07	+ HOUSING SEAL	2	24.16 ea
20WX-08	SPINDLE NUT	1	316.38
20WX-09	+ SHIELD SEAL	1	41.55
20WX-10	+ BEARING SHIELD	1	60.09
20WX-11	RETAINER WIRE	1	10.36
20WX-12	+ BEARINGS	4	197.90 ea
20WIR-14A	BEARING HOUSING	1	1446.00
15WX-15	LOCK BOLT AND NUT	1	7.84
20WX-16JE-LP	SPINDLE 3 1/2" IF LH PIN	1	989.13
20WX-16XJE-LP	SPINDLE, 3 1/2" IF LH PIN, LONG	Option	CONSULT
20WX-17	+ SPINDLE THREAD SEAL	1	18.48
20WXA-19-R	ADJUSTING GLAND	1	310.32
15WXA-20	ADJUSTING BOLT	2	29.12 ea
OR-240	+ O RING	2	4.00 ea
20WX-40	MAINTENANCE KIT (8) 20WX-05, (1) 20WX-06	Option	161.14
20WXA-40R	REPAIR KIT + Included in Repair Kit	Option	993.34

Other sizes of connections available, please consult factory.

Option for above swivel, may affect pricing of complete swivel. Other options available, please consult factory.



15WMA



- For Drilling Rigs with Chain or Cable PULL DOWN
- Constructed from alloy steel for durability
- For MUD and AIR drilling
- Can be furnished with bail
- Trunnion Pins to 1-3/4"
- Thrust ball bearing for supporting pipe load and radial load
- Designed for easy service and field maintenance
- Choice of Lower Connection Threads.
- 15WMA FEATURES ADJUSTABLE PACKING

TECHNICAL DATA

PACKING	LENGTH OVERALL	WT/LBS EACH	HOSE CONN. FEMALE	LOWER CONN.	WATER PRESSURE	WORKING OPENING
ADJUSTABLE	24 1/2"	105	2" NPT	2 7/8" IF LH	2"	To 300 PSI

SAFE WEIGHT LOADS

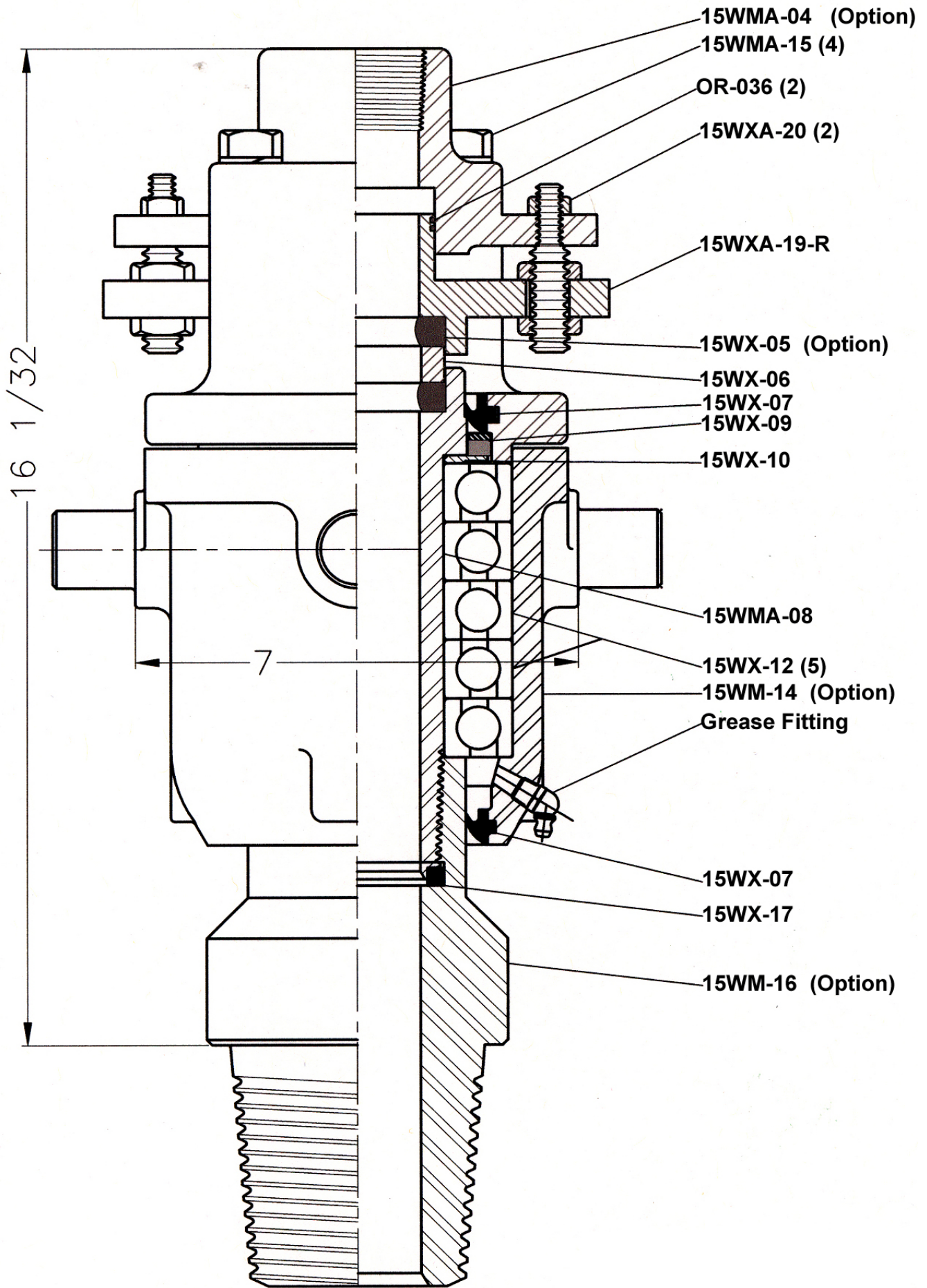
STATIC LOAD	ROTATING LOAD	DRILL DEPTH	SIZE/WT/FT
30,000 LBS.	27,000 LBS. @ 100 RPM	2,700 FT	2 3/8" / 6.65 LBS
		1,800 FT	2 7/8" / 10.4 LBS

PARTS LIST

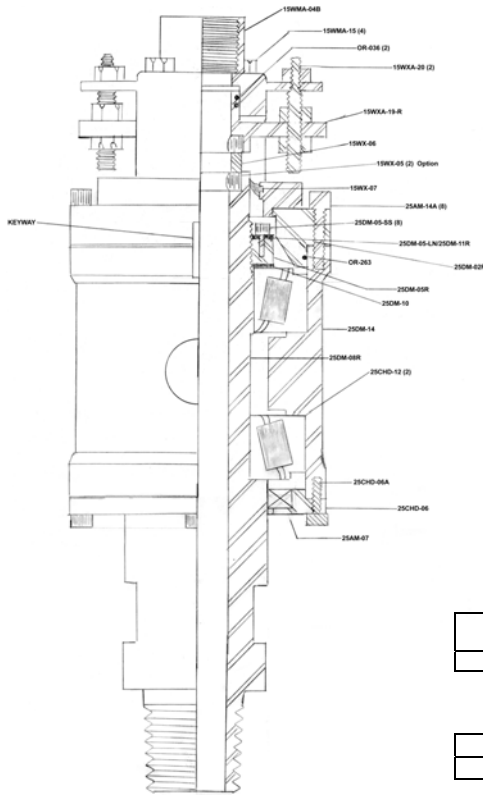
PART NO.	DESCRIPTION	WT/LBS	QTY. REQ.	PRICE
15WMA-3700-XX	WESTERN SWIVEL, LESS BAIL, 2" NPT FEMALE HOSE CONNECTION, WITH ADJUSTMENT PACKING, FOUR (4) PULLDOWN TRUNNION PINS, WITH 2 7/8" IF LEFT HAND PIN LOWER CONNECTION			3336.56
	ADD FOR BAIL			600.54
	ADD FOR SPECIAL LOWER CONNECTION			375.00
15WM-01	BAIL	25.00	OPTION	600.54
15WMA-04	GOOSENECK	39.00	OPTION	949.50
15WX-05	+PACKING	.12	2	13.88 ea
15WX-05-90	PACKING, 90 DURO	.12	OPTION	13.88 ea
15WX-06	+WEARBUSHING	.75	1	46.90
15WX-07	+HOUSING SEAL	.25	2	23.01 ea
15WMA-08	SPINDLE	10.00	1	547.74
15WX-09	+SHIELD SEAL	.20	1	41.55
15WX-10	+BEARING SHIELD	.25	1	58.55
15WX-12	+BEARINGS	5.00	5	153.85 ea
15WM-14A	BEARING HOUSING, 7" SHOULDERS, (4) 1 3/4" PINS	24.00	OPTION	1365.61
15WMA-15	STUDS W/NUT	.75	4	11.98 ea
15WM-16GD-LP	LOWER CONNECTION, 2 7/8" OD 8-V LH PIN	12.00	OPTION	966.81
15WM-16GE-LP	LOWER CONNECTION, 2 7/8" IF LH PIN	12.00	1	591.81
15WM-16FE-LP	LOWER CONNECTION, 2 3/8" IF LH PIN	12.00	OPTION	966.81
15WX-17	+SPINDLE THREAD SEAL	.06	1	12.78
15WXA-19-R	GLAND, PACKING ADJUSTING	8.25	1	454.26
15WXA-20	ADJUST SCREW W/NUTS	1.25	2	29.12 ea
OR-036	+O RING	.01	2	4.00 ea
15WX-40	MAINTENANCE KIT (8) 15WX-05, (1) 15WX-06			150.04
15WMA-40R	REPAIR KIT +INCLUDED IN REPAIR KIT			960.27

Other sizes of connections available, please consult factory.

Option for above swivel, may affect pricing of complete swivel. Other options available, please consult factory.



25DM



- Fluid Passage – 2 ½”
- For Pulldown Rig
- Grease Lubricated Bearings
- Adjustable Packing
- Packing can be changed without disassemble
- Adjustable tapered roller bearing

TECHNICAL

LENGTH	WIDTH	WEIGHT	HOSE CONN.	LOWER CONN.	FLUID PASSAGE	WORKING PRESSURE
	9 1/8"		3"	3 1/2" IF	2 1/2"	To 300 PSI

WEIGHT CAPACITY

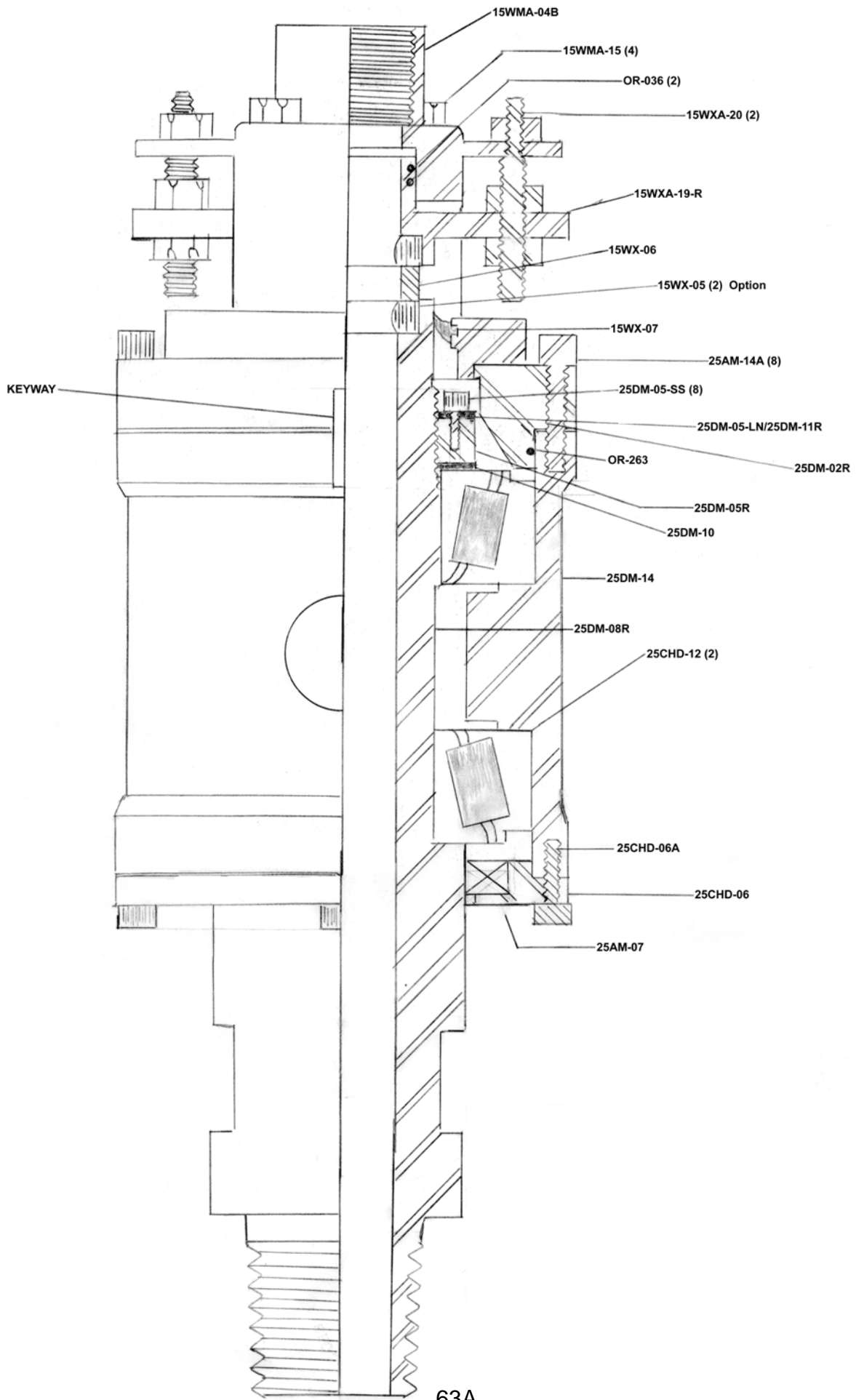
STATIC	ROTATING
60,000 LBS	28,000 LBS @ 100 RPM

PARTS LIST

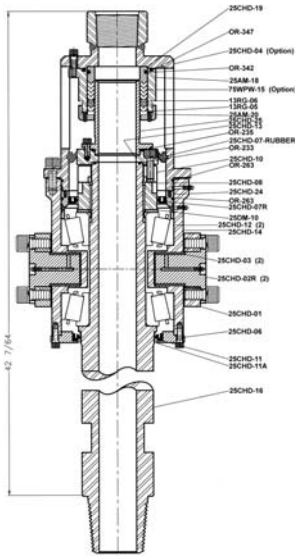
PART NO.	DESCRIPTION	QTY. REQ.	PRICE
25DM-8050-XX	SWIVEL, ADJUSTING NUT WITH LOCK NUT, 2 ½” NPT FEMALE HOSE CONNECTION, ADJUSTABLE PACKING. 2” OD PINS ON 9 1/8” SHOULDERS, WITH 3 ½” IF LH PIN LOWER CONNECTION		6093.96
15WMA-04B	GOOSENECK, ADJUSTABLE (2 ½” NPT FEMALE)	1	988.14
15WMA-15	STUD WITH NUT	4	11.98 ea
15WX-05	PACKING	2	13.88 ea
15WX-05-90	PACKING, 90 DURO	Option	13.88 ea
15WX-06	WEARBUSHING	1	46.90
15WX-07	HOUSING SEAL	1	23.01
OR-036	O RING, ADJUSTING GLAND	2	4.00 ea
15WXA-19-R	ADJUSTING GLAND	1	454.26
15WXA-20	ADJUSTING SCREW WITH NUTS	2	29.12 ea
25CHD-06	LOWER SEAL BOX	1	396.37
25AM-07	HOUSING SEAL	1	43.48
25CHD-12	BEARINGS (CUP AND CONE)	2	CONSULT ea
25DM-02R	PLATE, COVER	1	1049.96
25DM-05-LN	BEARING LOCKNUT	1	305.47
25DM-05R	ADJUSTING NUT	1	334.38
25DM-08R	SPINDLE, 3 ½” IF LH PIN	1	1755.97
25DM-10	BEARING SHIELD	1	212.17
25DM-11R	PLATE, LOCK	1	298.12
25DM-14	BEARING HOUSING WITH PINS, 2” OD, 9 1/8” SHOULDERS	1	1936.70
OR-263	O RING COVER PLATE	1	4.00

Other sizes of connections available, please consult factory.

Option for above swivel, may affect pricing of complete swivel. Other options available, please consult factory.



25CHD-R SWIVEL & PARTS



- 2 ½" Fluid Passage
- For pulldown rigs
- Adjustable tapered roller bearings
- Adjustable Chevron packing
- Grease lubricated packing & bearing
- Fits all TH60, T-3W and other drills
- Bolt in packing capsule (Quick change)

TECHNICAL

LENGTH	WIDTH	WEIGHT	HOSE CONN.	LOWER CONN.	FLUID PASSAGE	WORKING PRESSURE
45 ½	26 5/8	345	3" NPT	3 ½" IF	2 ½"	TO 1500 PSI

WEIGHT CAPACITY

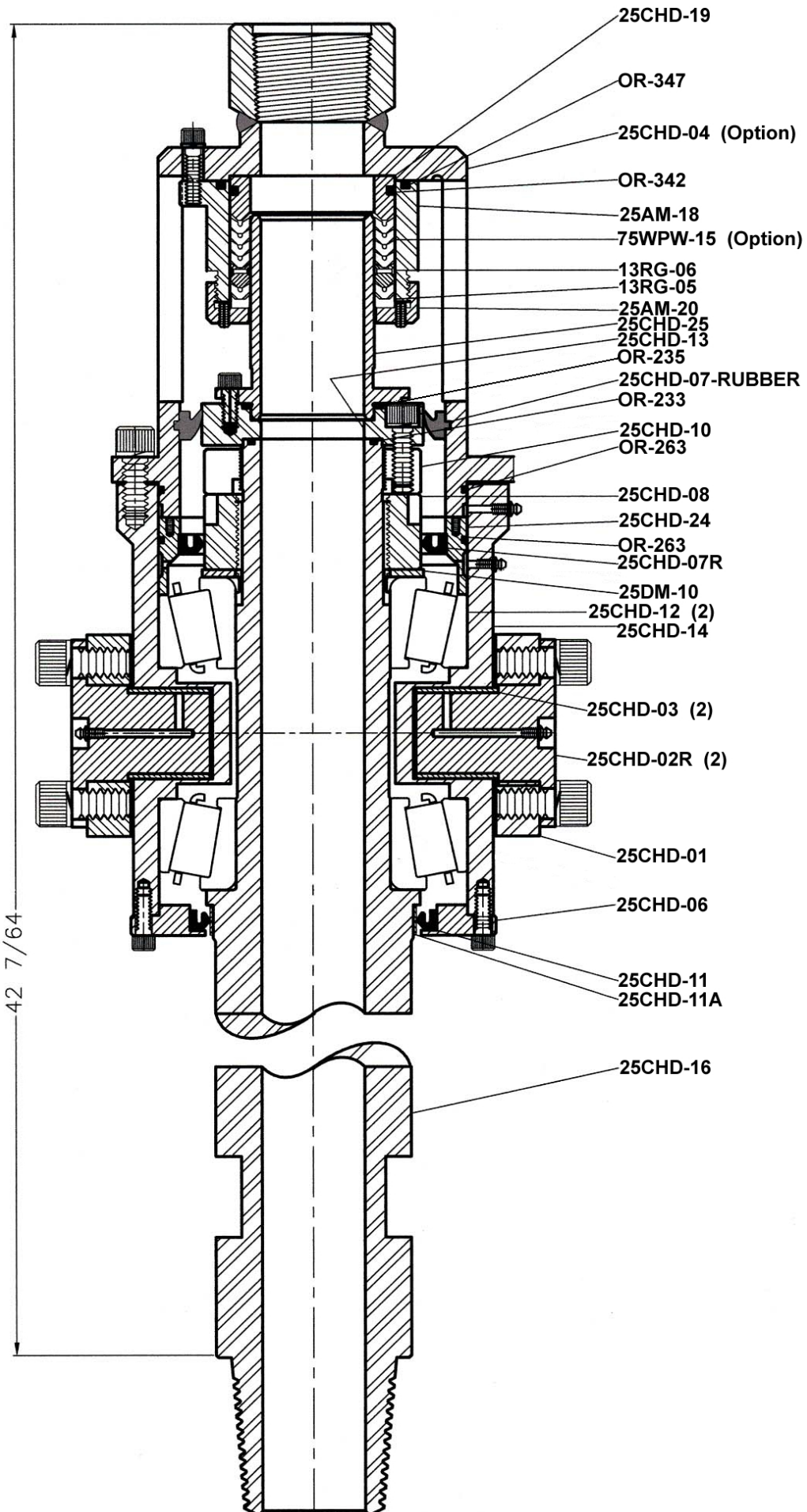
STATIC	ROTATING
90,000 LBS	40,000 LBS @ 100 RPM

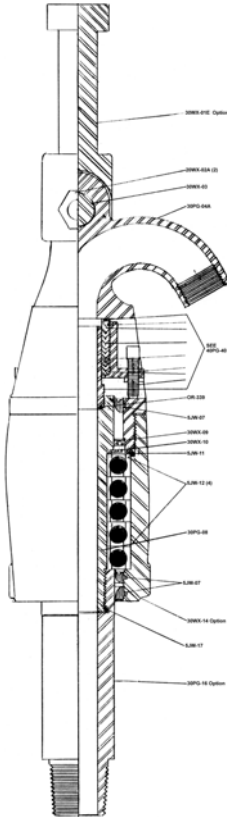
PARTS LIST

PART NUMBER	NAME	QTY. REQ.	PRICE
25CHD-R-8011-XX	(REVISED) SWIVEL, WITH YOKE ASSEMBLY, 3" NPT FEMALE HOSE CONNECTION, STRIAIGHT UP, ADJUSTABLE CHEVRON (V-RING) PACKING , WITH 3 ½" IF LH PIN CONNECTION		9474.58
13RG-05	PACKING SEAT RING	1	79.36
13RG-06	LANTERN RING	1	103.75
25CHD-01	YOKE ASSEMBLY	1	1755.76
25CHD-02R	TRUNNION PINS	2	357.06 ea
25CHD-03	BUSHING, TRUNNION PINS	2	125.72 ea
25CHD-04	BONNET, 3" NPT FEMALE HOSE CONNECTION STRAIGHT UP	1	1698.52
25CHD-06	LOWER SEAL BOX	1	396.37
25CHD-07R	SEAL, UPPER HOUSING (SEAL BOX)	1	76.82
25CHD-07-RUBBER	SEAL, UPPER HOUSING (BONNET)	1	27.15
25CHD-08	BEARING ADJUSTING NUT	1	418.90
25CHD-10	BEARING LOCK NUT	1	327.58
25CHD-11	SEAL, LOWER HOUSING	1	54.16
25CHD-11A	SLEEVE, LOWER WEAR	1	51.13
25CHD-12	BEARING (CUP AND CONE)	2	CONSULT
25CHD-13	ADAPTER, WASHPIPE	1	347.39
25CHD-14	BEARING HOUSING	1	2125.13
25CHD-16	SPINDLE, 3 ½" IF LH PIN	1	2786.62
25AM-18	PACKING BOX	1	813.90
25CHD-19	PACKING GLAND	1	136.92
25AM-20	PACKING ADJUSTING GLAND	1	743.85
25CHD-24	SEAL BOX, UPPER	1	507.41
25CHD-25	WASHPIPE	1	286.81
25CHD-25A	CAP SCREWS, WASHPIPE	4	5.60 ea
25CHD-26	SLINGER RING	1	14.07
25DM-10	BEARING SHIELD	1	212.17
OR-234	O RING, SPINDLE	1	4.00
OR-235	O RING, WASHPIPE	1	4.00
OR-263	O RING, SEAL BOX AND BONNET	2	4.00 ea
OR-342	O RING, PACKING GLAND	1	4.00
OR-347	O RING, PACKING BOX	1	4.00
75WPW-15	PACKING	1	52.42
75WPW-15-416	PACKING (LOW PRESSURE)	1	78.88

Other sizes of connections available, please consult factory.

Option for above swivel, may affect pricing of complete swivel. Other options available, please consult factory.





30PG Uses Only
Four (4) Bearings

30PG SWIVEL

- For DEEP WATER WELL, WORKOVER, and SHALLOW OIL WELL Drilling
- Hardened ground WASHPIPE and CHEVRON (V-Ring) PACKING, grease lubricated
- Oversized WATERCOURSE, 3" ID
- Flexible BAIL or ELEVATOR SHANK available
- Adjustable Packing
- Packing can be changed quickly without disassembling swivel.
- Thrust ball bearings support drill pipe load while providing radial capacity.
- Seal Bearing Case with grease lubrication
- TRUNNION PINS available for pull down rigs
- Large choice of optional Lower Connections Threads
- Designed for easy field service and maintenance

TECHNICAL

MODEL #	LENGTH OVERALL	WT/LBS EACH	HOSE CONN. FEMALE	LOWER CONN* PIN	WATER COURSE	WORKING PRESSURE	BAIL OPENING
30PG	45"	225	3" NPT	4-1/2" OD 8-V LH	MAX. 3" ID	To 1500 PSI	5" X 8"

SAFE WEIGHT LOADS

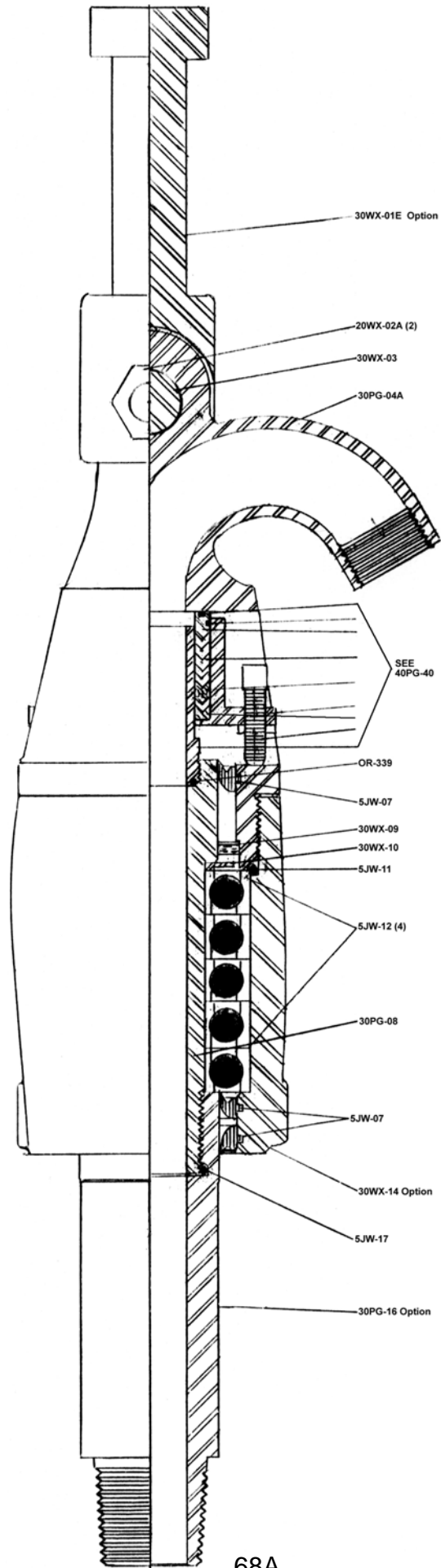
MODEL #	STATIC LOAD	ROTATING LOAD	SAFE DEPTH			
			2-3/8", 6.65	2-7/8", 10.4	3-1/2", 13.3	4-1/2", 16.6
30PG	95,000 LBS.	60,000 LBS. @ 100 RPM	6,400 FT	4,000 FT	3,400 FT	2,600 FT

PARTS LIST

PART NUMBER	NAME	QTY. REQ.	PRICE
30PG-6500-XX	WESTERN SWIVEL, LESS BAIL OR ELEVATOR SHANK, 3" NPT FEMALE HOSE CONNECTION, WITH 4 1/2" OD 8V LH PIN LOWER CONNECTION		6979.27
	ADD FOR BAIL		828.72
	ADD FOR ELEVATOR SHANK (3 1/2" OD OR SMALLER)		1983.42
	ADD FOR PULLDOWN TRUNNION PINS		280.00
	ADD FOR "SPECIAL LOWER CONNECTION		375.00
30WX-01	BAIL	Option	828.72
30WX-01E	ELEVATOR SHANK (3 1/2" OD OR SMALLER)	Option	1983.42
30WX-02	BAIL PIN	1	271.85
20WX-02A	BAIL PIN NUT	2	10.92 ea
30PG-04A	GOOSENECK, 3" NPT FEMALE HOSE	1	2038.36
5JW-07	HOUSING SEAL	2	26.22 ea
30PG-08	BEARING SPINDLE	1	1027.62
30WX-09	SHIELD SEAL	1	60.09
30WX-10	BEARING SHIELD	1	73.24
5JW-11	BEARING RETAINER WIRE	1	12.88
5JW-12	BEARING	4	279.26 ea
30WX-14	BEARING HOUSING	1	1768.75
30WX-14A	BEARING HOUSING W/PINS, 2" OD on 8 15/16" SHOULDERS	Option	2048.75
15WX-15	HOUSING BOLT AND NUT	1	7.84
30PG-16KD-LP	LOWER CONNECTION, 4 1/2" OD 8V LH PIN	1	1157.00
30PG-16JG-LP	LOWER CONNECTION, 3 1/2" FULL HOLE LH PIN	Option	1532.00
5JW-17	SPINDLE THREAD SEAL	1	18.48
40PG-40	PACKING CAPSULE	1	1021.29

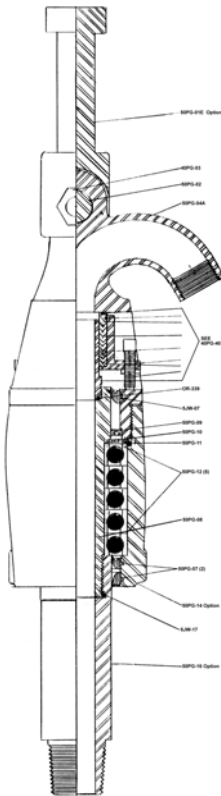
Other sizes of connections available, please consult factory.

Option for above swivel, may affect pricing of complete swivel. Other options available, please consult factory.



68A

50PG SWIVEL



- For DEEP WATER WELL, WORKOVER, and SHALLOW OIL WELL Drilling
- Hardened ground WASHPIPE and CHEVRON (V-Ring) PACKING, grease lubricated
- Oversized WATERCOURSE, 3" ID
- Flexible BAIL or ELEVATOR SHANK available
- Adjustable Packing
- Packing can be changed quickly without disassembling swivel.
- Thrust ball bearings support drill pipe load while providing radial capacity.
- Seal Bearing Case with grease lubrication
- TRUNNION PINS available for pull down rigs
- Large choice of optional Lower Connections Threads
- Designed for easy field service and maintenance

TECHNICAL

MODEL #	LENGTH OVERALL	WT/LBS EACH	HOSE CONN. FEMALE	LOWER CONN* PIN	WATER COURSE	WORKING PRESSURE	BAIL OPENING
50PG	63"	512	3" NPT	4-1/2" REG. LH	MAX. 3" ID	To 1500 PSI	7" X 16"

SAFE WEIGHT LOADS

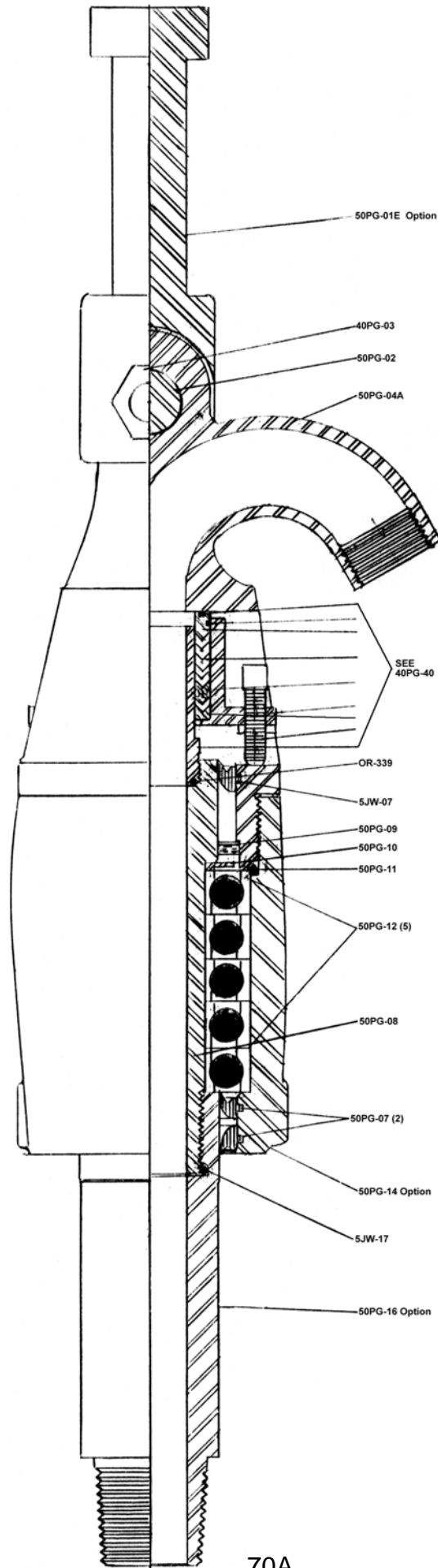
MODEL #	STATIC LOAD	ROTATING LOAD	SAFE DEPTH			
			2-3/8", 6.65	2-7/8", 10.4	3-1/2", 13.3	4-1/2", 16.6
50PG	160,000 LBS	87,000 LBS. @ 100 RPM	10,000 FT	6,200 FT	4,800 FT	3,800 FT

PARTS LIST

PART NUMBER	NAME	QTY. REQ.	PRICE
50PG-6300-XX	WESTERN SWIVEL, LESS BAIL, 3" NPT FEMALE HOSE CONNECTION. WITH 4 1/2" REGULAR LH PIN LOWER CONNECTION		10,347.83
	ADD FOR BAIL		1705.63
	ADD FOR ELEVATOR SHANK (3 1/2" OR SMALLER)		2614.35
	ADD FOR PULLDOWN TRUNNION PINS		950.00
	ADD FOR 6 5/8" REGULAR LH PIN LWR. CONN.		750.00
50PG-01	BAIL	Option	1705.63
50PG-01E	ELEVATOR SHANK (3 1/2" OR SMALLER)	Option	2614.35
50PG-02	BAIL PIN	1	396.99
40PG-03	BAIL PIN NUTS	2	35.73 ea
50PG-04A	GOOSENECK, 3" NPT FEMALE HOSE CONNECTION	1	3229.21
5JW-07	UPPER HOUSING SEAL	1	26.22
50PG-07	LOWER HOUSING SEAL	2	27.15 ea
50PG-08	BEARING SPINDLE	1	1869.75
50PG-09	FELT SEAL	1	13.66
50PG-10	BEARING SHIELD	1	98.11
50PG-11	BEARING RETAINER WIRE	1	18.03
50PG-12	BEARINGS	5	428.03 ea
50PG-14	BEARING HOUSING	1	3095.54
50PG-14A	BEARING HOUSING WITH TRUNNION PINS	Option	4045.54
15WX-15	HOUSING LOCK BOLT AND NUT	1	7.84
50PG-16KF-LP	LOWER CONNECTION, 4 1/2" REGULAR LH PIN	1	2252.49
50PG-160F-LP	LOWER CONNECTION, 6 5/8" REGULAR LH PIN	Option	3002.49
5JW-17	SPINDLE THREAD SEAL	1	18.48
40PG-40	PACKING CAPSULE	1	1021.29

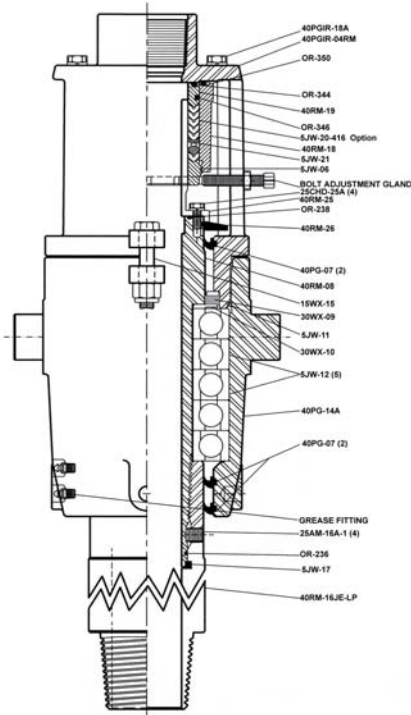
Other sizes of connections available, please consult factory.

Option for above swivel, may affect pricing of complete swivel. Other options available, please consult factory.



70A

40RM



- For TH-75 and TH-75W & T3W Deep Hole
- Adjustable Chevron V-Ring Packing
- Full 3" Fluid Passage
- Grease lubricated packing and bearing
- Quick change packing assembly
- Low pressure packing assembly available

TECHNICAL

LENGTH	WIDTH	WEIGHT	HOSE CONN.	LOWER CONN.	FLUID PASSAGE	WORKING PRESSURE
40 ½	8 15/16	280	3" NPT	3 ½ IF (MOD)	3"	TO 1500 PSI

WEIGHT CAPACITY

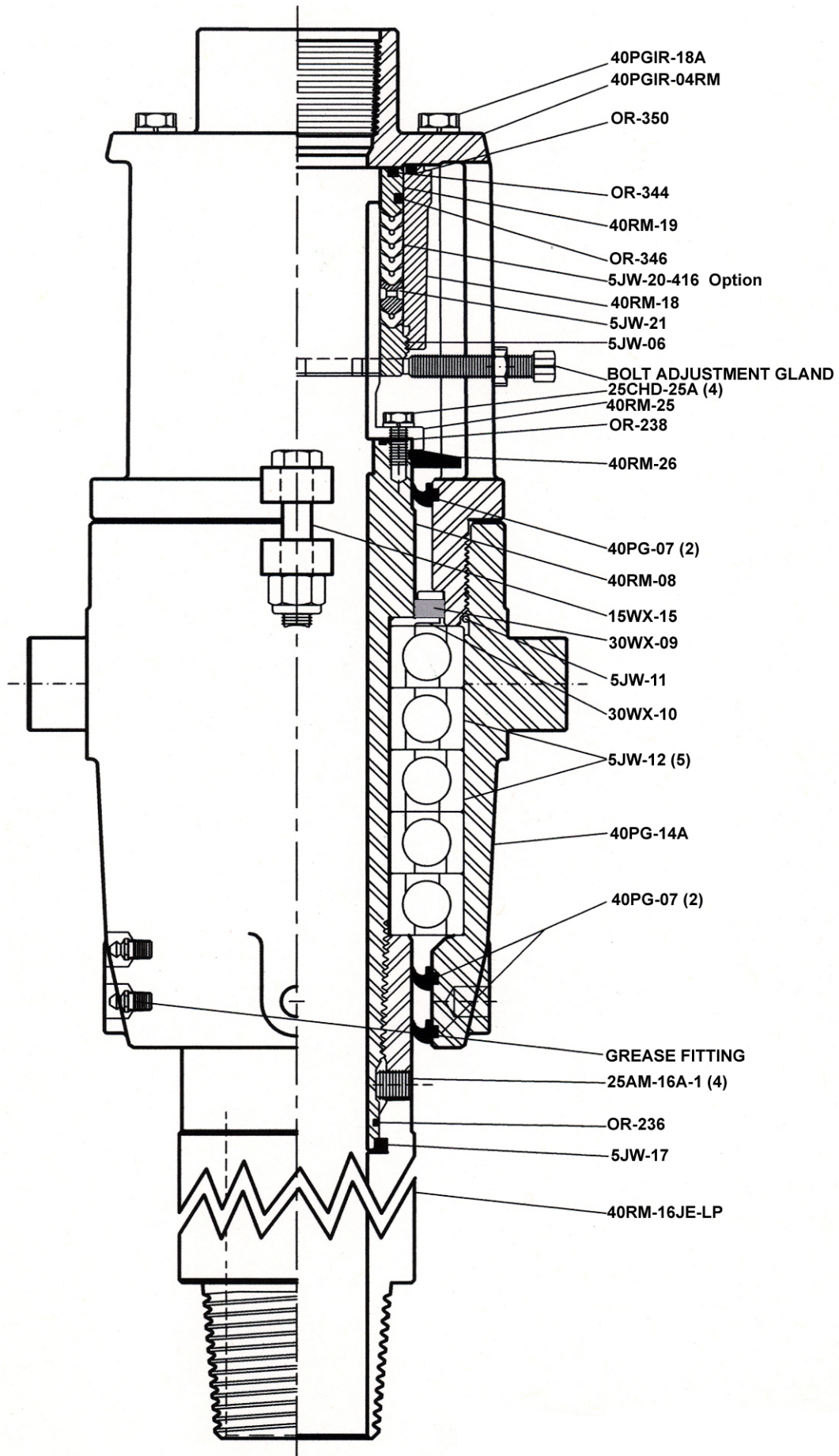
STATIC	ROTATING
140,000 LBS	71,000 LBS @ 100 RPM

PARTS LIST

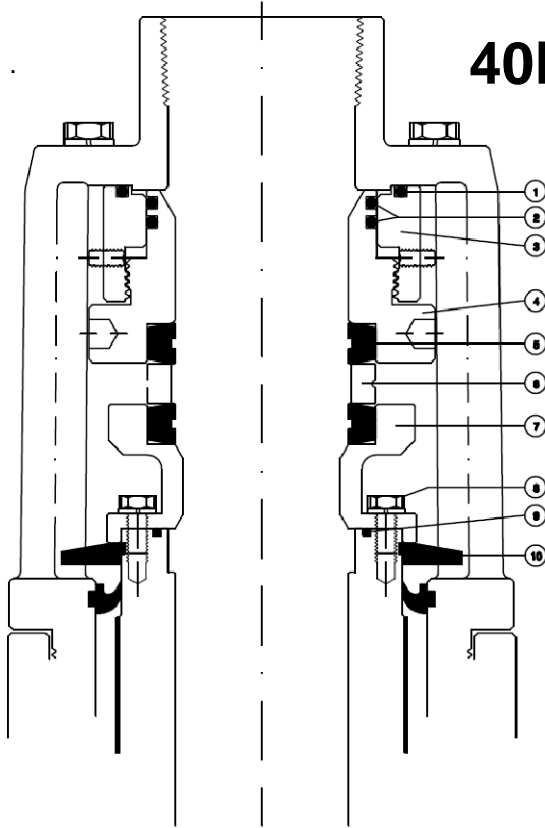
PART NUMBER	NAME	QTY. REQ.	PRICE
40RM-6001-XXX	SWIVEL, 3" NPT FEMALE STRAIGHT UP, 2" OD TRUNNION PINS 815/16" SHOULDER TO SHOULDER, WINDOW 45 LEFT OF TRUNNION PIN, 3 ½" IF LH PIN (MOD) LOWER CONNECTION LOW PRESSURE PACKING		8105.26
40PGIR-18A	BOLTS W/LOCK WASHER	4	4.50 ea
40PGIR-04RM	GOOSENECK, 3" NPT FEMALE, STR. UP	1	2145.08
OR-350	O RING, PACKING BOX	1	4.00
OR-346	O RING, PACKING GLAND	1	4.00
OR-344	O RING, PACKING GLAND	1	4.00
5JW-20-416	PACKING SET, LOW PRESSURE	1	78.88
5JW-20	PACKING SET	OPTION	52.42
40RM-18	PACKING BOX	1	582.28
40RM-19	PACKING GLAND	1	124.60
5JW-21	LANTERN RING	1	172.39
5JW-06	PACKING ADJUSTING GLAND	1	253.21
40RM-25	WASHPIPE	1	329.61
40RM-26	SLINGER RING	1	29.76
OR-238	O RING, WASHPIPE	1	4.00
40PG-07	HOUSING SEAL	3	30.81 ea
15WX-15	LOCK BOLT AND NUT	1	7.84
30WX-09	SEAL, SHIELD	1	60.09
5JW-11	WIRE, RETAINER	1	12.88
30WX-10	SHIELD, BEARING	1	73.24
40RM-08	BEARING SPINDLE	1	1774.79
5JW-12	BEARINGS	5	279.21 ea
40PG-14A	BEARING HOUSING, WITH 2" TRUNNION PINS	1	2048.75
25AM-16A-1	SET SCREWS	4	5.56 ea
OR-236	O RING	1	4.00
5JW-17	SPINDLE THREAD SEAL	1	18.48
40RM-16JE-LP	LOWER CONNECTION, 3 ½" IF LH PIN (MOD)	1	2061.03
25CHD-25A	BOLT, WASHPIPE	4	5.60 ea

Other sizes of connections available, please consult factory.

Option for above swivel, may affect pricing of complete swivel. Other options available, please consult factory.



40RM – 50 RR



- Fits 40RM Swivel
- Working Pressure from 0 – 350 PSI
- Adjustable Packing
- Packing can be changed without removing capsule
- Rubber Ring Packing

**40RM-50-RR
Low Pressure Pkg. Assy.**

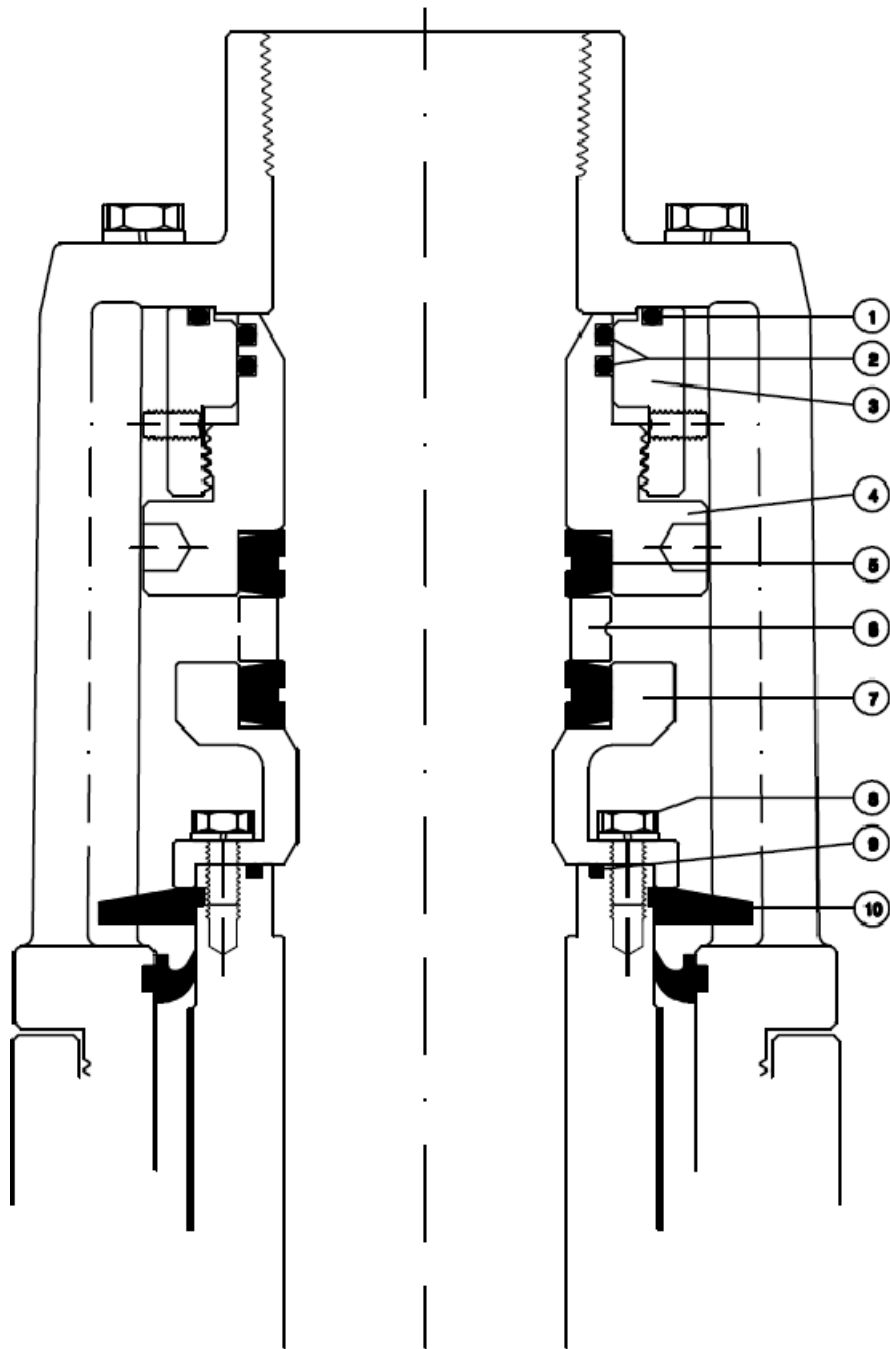
Bill Of Materials			
Item #	Part #	Description	Qty. Req'd.
1	OR - 350	O - Ring	1
2	OR - 342	O - Ring	2
3	T-2W-18RR	Plate, Top	1
4	T-2W-19RR	Gland, Adjusting	2
5	6JW-05, 6JW-05-90	Packing Standard, Packing 90 Duoro (Red)	2 Option
6	6JW-06	Wear Bushing	1
7	40RM-21-RR	Box, Lower Packing	1
8	25CHD-25A	Bolt (Not Included With PW 40RM-50-RR)	4
9	OR - 248	O - Ring	1
10	40RM-08	Slinger (Not Included With PW 40RM-50-RR)	1

PARTS LIST

PART NUMBER	NAME	QTY. REQ.	PRICE
40RM-50RR	RUBBER RING PACKING ASSEMBLY		1811.70
6JW-05	PACKING	2	15.34 ea
6JW-05-90	PACKING, 90 DUORO (RED)	OPTION	15.34
6JW-06	WEARBUSHING	1	59.31
T-2W-18RR	TOP PLATE	1	926.31
T-2W-19RR	GLAND, ADJUSTING	1	595.57
40RM-21-RR	BOX, LOWER PACKING	1	765.34
25CHD-25A	BOLT	4	5.60 ea
OR-350	O RING	1	4.00
OR-342	O RING	2	4.00 ea
OR-248	O RING	1	4.00

Other sizes of connections available, please consult factory.

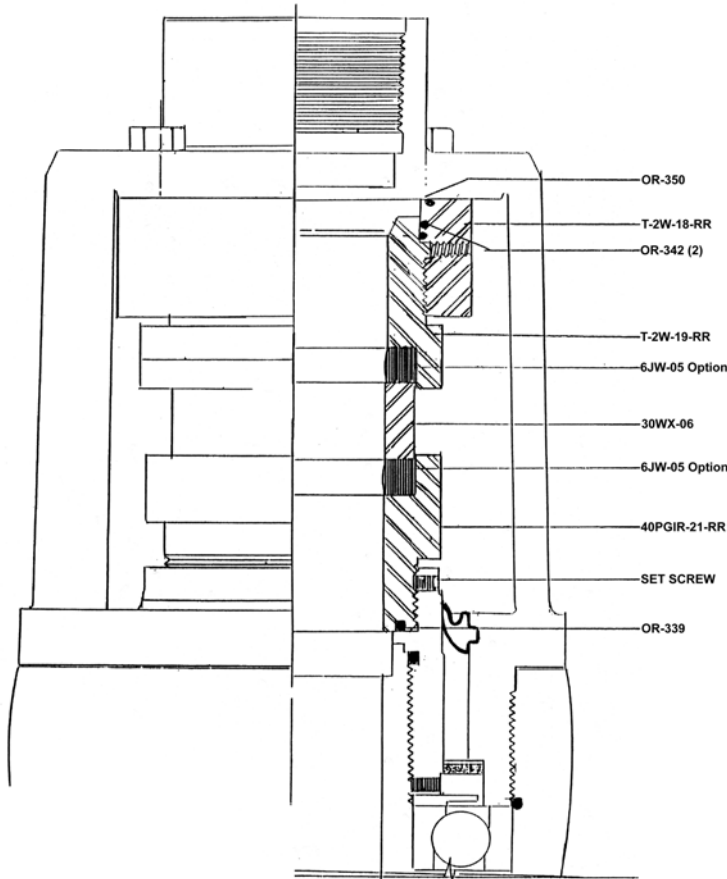
Option for above swivel, may affect pricing of complete swivel. Other options available, please consult factory.



**40RM-50-RR
Low Pressure Pkg. Assy.**

Bill Of Materials			
Item #	Part #	Description	Qty. Req'd.
1	OR - 390	O - Ring	1
2	OR - 342	O - Ring	2
3	T-2W-18FR	Plate, Top	
4	T-2W-19FR	Gland, Adjusting	2
5	6JW-05, 6JW-05-90	Packing Standard, Packing 90 Duro (Red)	2 Option
6	6JW-06	Wear Bushing	1
7	40RM-21-RR	Box, Lower Packing	1
8	25CHD-25A	Bolt (Not Included With P/N 40RM-50-RR)	4
9	OR - 238	O - Ring	1
10	40RM-26	Slinger (Not Included With P/N 40RM-50-RR)	1

40 PGIR-50RR



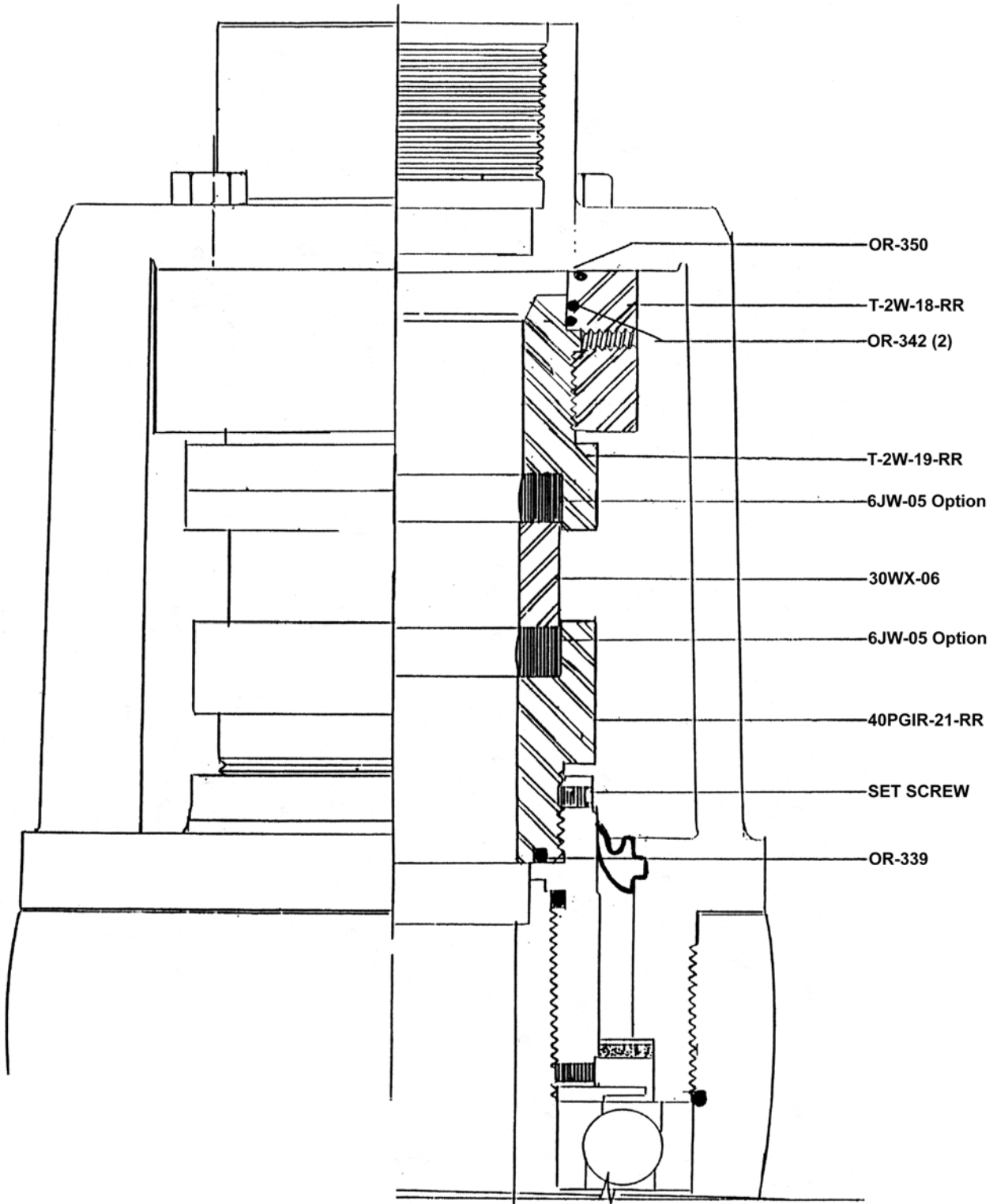
- Fits 40PGIR Swivel
- Working Pressure From 0 to 350 PSI
- Adjustable Packing
- Packing can be changed without removing capsule
- Rubber ring packing

PARTS LIST

PART NUMBER	NAME	QTY. REQ.	PRICE
40PGIR-50RR	RUBBER RING PACKING ASSEMBLY (COMPLETE)	Option	1608.80
30WX-06	WEARBUSHING	1	66.41
6JW-05	PACKING	2	15.34. ea
6JW-05-90	PACKING, 90 DURO (RED)	Option	15.34 ea
40PGIR-21-RR	NUT, ADAPTER (RUBBER RING)	1	663.34
T-2W-18-RR	PLATE, TOP (FOR ADJUSTING GLAND)	1	926.31
T-2W-19-RR	GLAND, ADJUSTING	1	595.57
OR-339	O RING (ADAPTER NUT)	1	4.00
OR-342	O RING (ADJUSTING GLAND)	2	4.00 ea
OR-350	O RING (TOP PLATE)	1	4.00
	SET SCREW (TOP PLATE)	1	2.00

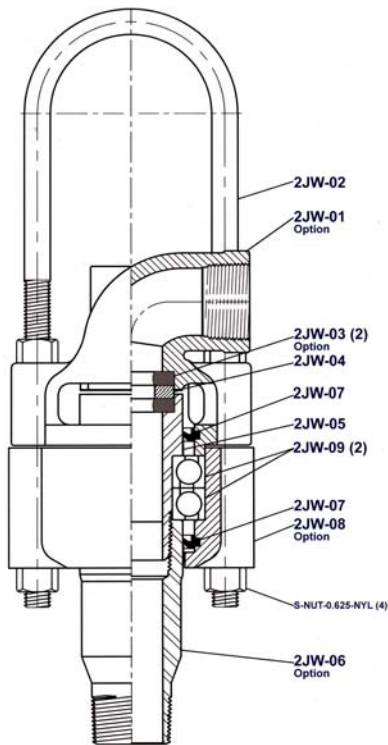
Other sizes of connections available, please consult factory.

Option for above swivel, may affect pricing of complete swivel. Other options available, please consult factory.



2 J W S w i v e l

- For all types of drilling requiring a small light weight swivel
- Alloy steel BAIL, SPINDLE, and LOWER CONNECTION
- High thrust ball bearings in a grease lubricated sealed housing
- Simple design allows quick packing replacement and easy field repairs.
- Available with several different hose connections.
- Special lower connections available upon request.



TECHNICAL DATA

MODEL	LENGTH	WT/LB ALUM. IRON	HOSE CONN. NPT	LOWER CONN* LH OR RH NPT	WATER COURSE	WORKING PRESSURE
2JW	16"	14.0 21.0	1-1/2" FEMALE 2" MALE	1-1/2" OR 2"	1-1/2"	300 PSI

CAPACITIES & SAFE DRILL DEPTHS

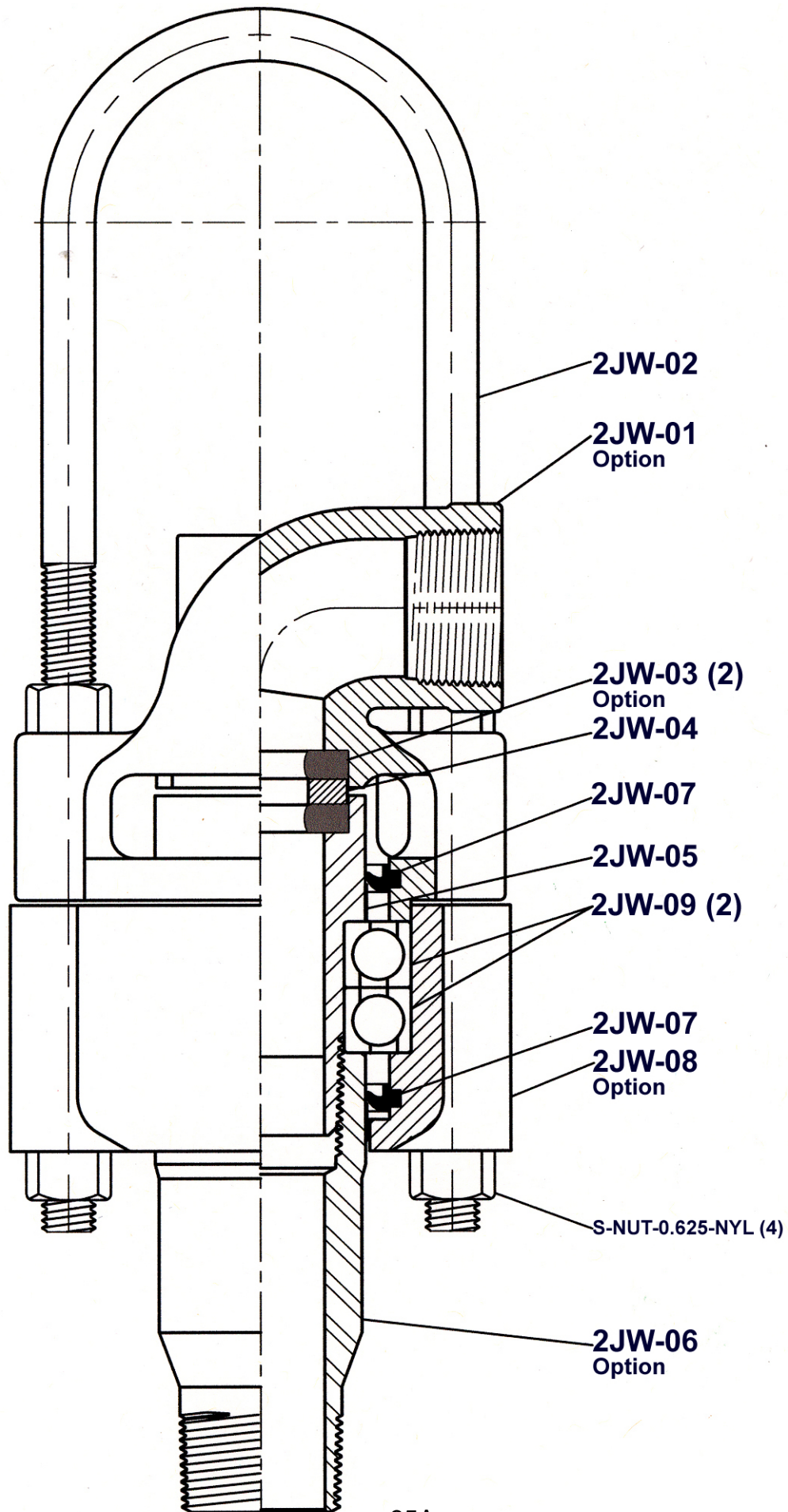
MODEL	STATIC LOAD	DRILL DEPTH	DRILL PIPE SIZE
2JW	7,000 LBS.	500 FT. @ 100 RPM	2" STANDARD PIPE

PARTS LIST

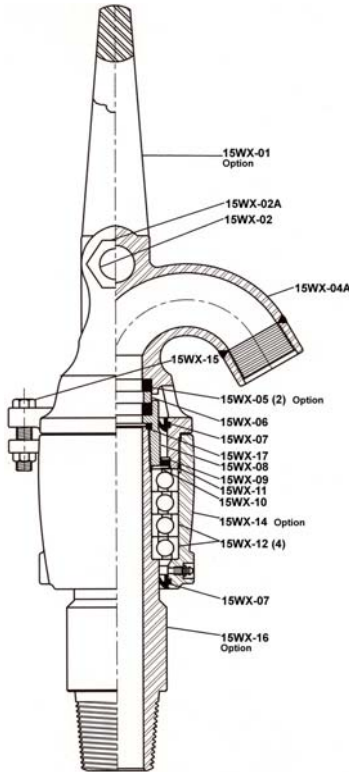
PART NUMBER	NAME	WT/LBS	QTY. REQ.	PRICE
2JW-2020-XX	SWIVEL, IRON OR ALUM., 1 1/2" FEMALE OR 2" MALE NPT HOSE CONNECTION, WITH 1 1/2" OR 2" NPT RIGHT OR LEFT PIN LOWER CONNECTION			564.43
	ADD FOR SPECIAL LOWER CONNECTION			155.00
2JW-01D	IRON GOOSENECK, 1 1/2" FEMALE	5.62	1	198.48
2JW-01E	IRON GOOSENECK, 2" MALE	5.62	Option	198.48
2JW-01AD	ALUM. GOOSENECK, 1 1/2" NPT FEMALE	2.09	Option	198.48
2JW-01AE	ALUM. GOOSENECK, 2" MALE	2.09	Option	198.48
2JW-02	BAIL WITH NUTS	2.10	1	49.73
2JW-03	+ PACKING	.04	2	8.34
2JW-03-90	PACKING, 90 DURO	.04	Option	8.34
2JW-03V	PACKING, VITON	.04	Option	26.97 ea
2JW-04	+ WEARBUSHING	.25	1	28.21
2JW-05	BEARING SPINDLE	2.00	1	118.07
2JW-06DA-RP	LOWER CONNECTION, 1 1/2" NPT RH PIN	2.50	Option	138.88
2JW-06DA-LP	LOWER CONNECTION, 1 1/2" NPT LH PIN	2.50	Option	138.88
2JW-06EA-RP	LOWER CONNECTION, 2" NPT RH PIN	2.50	Option	138.88
2JW-06EA-LP	LOWER CONNECTION, 2" NPT LH PIN	2.50	1	138.88
2JW-06YN3-RP	LOWER CONNECTION, N ROD RH PIN, 3 THREAD	4.75	Option	293.88
2JW-06YNW-RP	LOWER CONNECTION, NW ROD RH PIN	4.75	Option	293.88
2JW-07	+ HOUSING SEAL	.06	2	18.57 ea
2JW-07V	HOUSING SEAL, VITON	.06	Option	29.40 ea
2JW-08A	ALUM. BEARING HOUSING	2.00	Option	180.15
2JW-08B	IRON, BEARING HOUSING	5.50	1	180.15
2JW-09	+ BEARING	2.25	2	60.82 ea
2JW-40	MAINTENANCE KIT: (8) 2JW-03; (1) 2JW-04			90.18
2JW-40R	REPAIR KIT + Included in Repair Kit			193.47

Other sizes of connections available, please consult factory.

Option for above swivel, may affect pricing of complete swivel. Other options available, please consult factory.



15 WX



- For WATER, GEOPHYSICAL, and MONITORING well drilling
- Light Weight
- Alloy Steel construction for strength
- Large Watercourse
- For Pulldown or Kelly Bar machines
- Flexible BAIL or ELEVATOR SHANK available
- Thrust ball bearings support drill pipe load while providing radial capacity.
- Seal Bearing Case with grease lubrication
- TRUNNION PINS available
- Choice of lower connection threads
- Designed for easy field service and maintenance

TECHNICAL DATA

MODEL #	LENGTH	WT/LBS EACH	HOSE CONN. FEMALE	LOWER CONN* PIN	WATER COURSE	WORKING PRESSURE	BAIL OPENING
15WX	33"	95	2" NPT	2-7/8" OD 8-V LH	2" ID	To 300 PSI	3-3/4" X 8"

SAFE WEIGHT LOADS

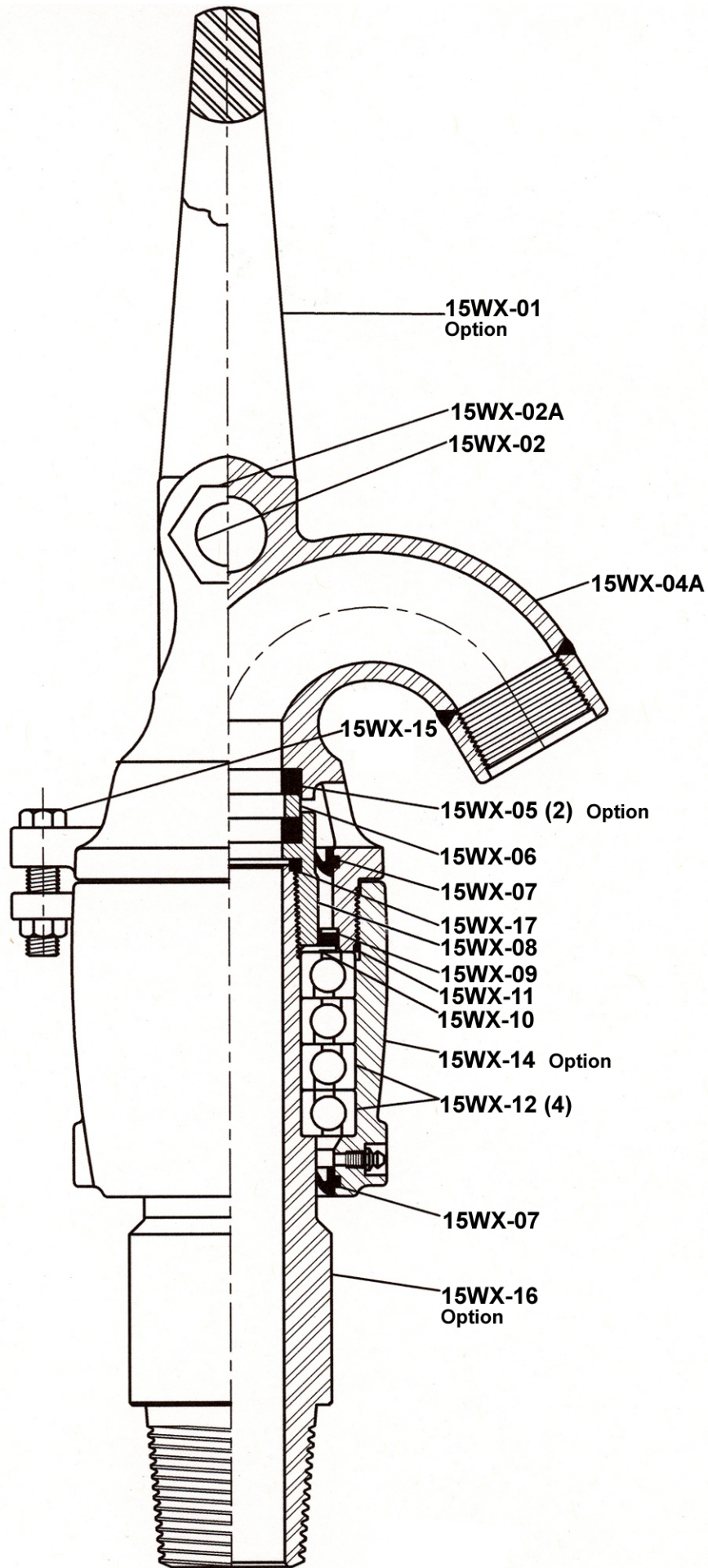
MODEL #	STATIC LOAD	ROTATING LOAD	SAFE DEPTH			
			2-3/8", 6.65	2-7/8", 10.4	3-1/2", 13.3	4-1/2", 16.6
15WX	50,000 LBS.	27,000 LBS. @ 100 RPM	2,700 FT	1,800 FT	---	---

PARTS LIST

PART NO.	DESCRIPTION	WT/LBS	QTY. REQ.	PRICE
15WX-3010-XX	WESTERN SWIVEL, LESS BAIL, 2" NPT FEMALE HOSE CONNECTION AND 2 7/8" OD 8-V LEFT HAND PIN LOWER CONNECTION			2826.96
	ADD FOR BAIL			414.64
	ADD FOR SPECIAL LOWER CONNECTION			275.00
	ADD FOR TRUNNION PIN			280.00
15WX-01	BAIL	16.00	1	414.64
15WX-02	BAIL PIN	3.00	1	234.48
15WX-02A	BAIL PIN NUT	.50	2	6.67 ea
15WX-04A	GOOSENECK, 2" NPT FEMALE HOSE CONNECTION	28.00	1	1005.51
15WX-05	+ PACKING	.25	2	13.88 ea
15WX-05-90	PACKING, 90 DURO HIGH PRESSURE	.25	Option	13.88 ea
15WX-05V	PACKING, VITON	.25	Option	42.56 ea
15WX-06	+ WEARBUSHING	.50	1	46.90
15WX-07	+ HOUSING SEALS	.12	2	23.01 ea
15WX-07V	HOUSING SEALS, VITON	.12	Option	54.77 ea
15WX-08	SPINDLE NUT	3.50	1	277.31
15WX-09	+ SHIELD SEAL	.25	1	41.55
15WX-10	+ BEARING SHIELD	.37	1	58.55
15WX-11	BEARING RETAINER WIRE	.12	1	9.13
15WX-12	+ BEARINGS, DOWNTHRUST/UPTHRUST	5.00	4	153.85 ea
15WX-14	BEARING HOUSING	16.00	1	840.78
15WX-14A	BEARING HOUSING, WITH (2) TRUNNION PINS	24.00	Option	1120.78
15WX-15	LOCK SCREW AND NUT, BEARING HOUSING	.25	1	7.84
15WX-16GD-LP	SPINDLE, 2 7/8" OD 8-V LH PIN	15.00	1	694.39
15WX-16GE-LP	SPINDLE, 2 7/8" IF LH PIN	15.00	Option	969.34
15WX-17	+ SPINDLE THREAD SEAL	.06	1	12.78
15WX-40	MAINTENANCE KIT (8) 15WX-05, (1) 15WX-06			150.04
15WX-40R	REPAIR KIT + Included in Repair Kit			806.51

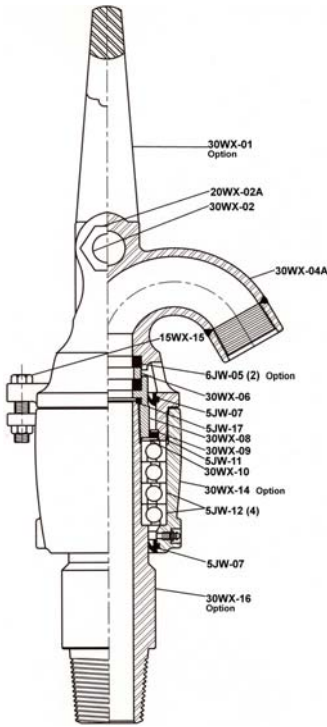
Other sizes of connections available, please consult factory.

Option for above swivel, may affect pricing of complete swivel. Other options available, please consult factory.



30 WX

- For WATER, GEOPHYSICAL, and MONITORING well drilling
- Light Weight
- Alloy Steel construction for strength
- Large Watercourse
- For Pulldown or Kelly Bar machines
- Flexible BAIL or ELEVATOR SHANK available
- Thrust ball bearings support drill pipe load while providing radial capacity.
- Seal Bearing Case with grease lubrication
- TRUNNION PINS available
- Choice of lower connection threads
- Designed for easy field service and maintenance



TECHNICAL DATA

MODEL #	LENGTH	WT/LBS EACH	HOSE CONN. FEMALE	LOWER CONN* PIN	WATER COURSE	WORKING PRESSURE	BAIL OPENING
30WX	39"	205	3" NPT	4-1/2" OD 8-V LH	3" ID	To 300 PSI	5" X 8"

SAFE WEIGHT LOADS

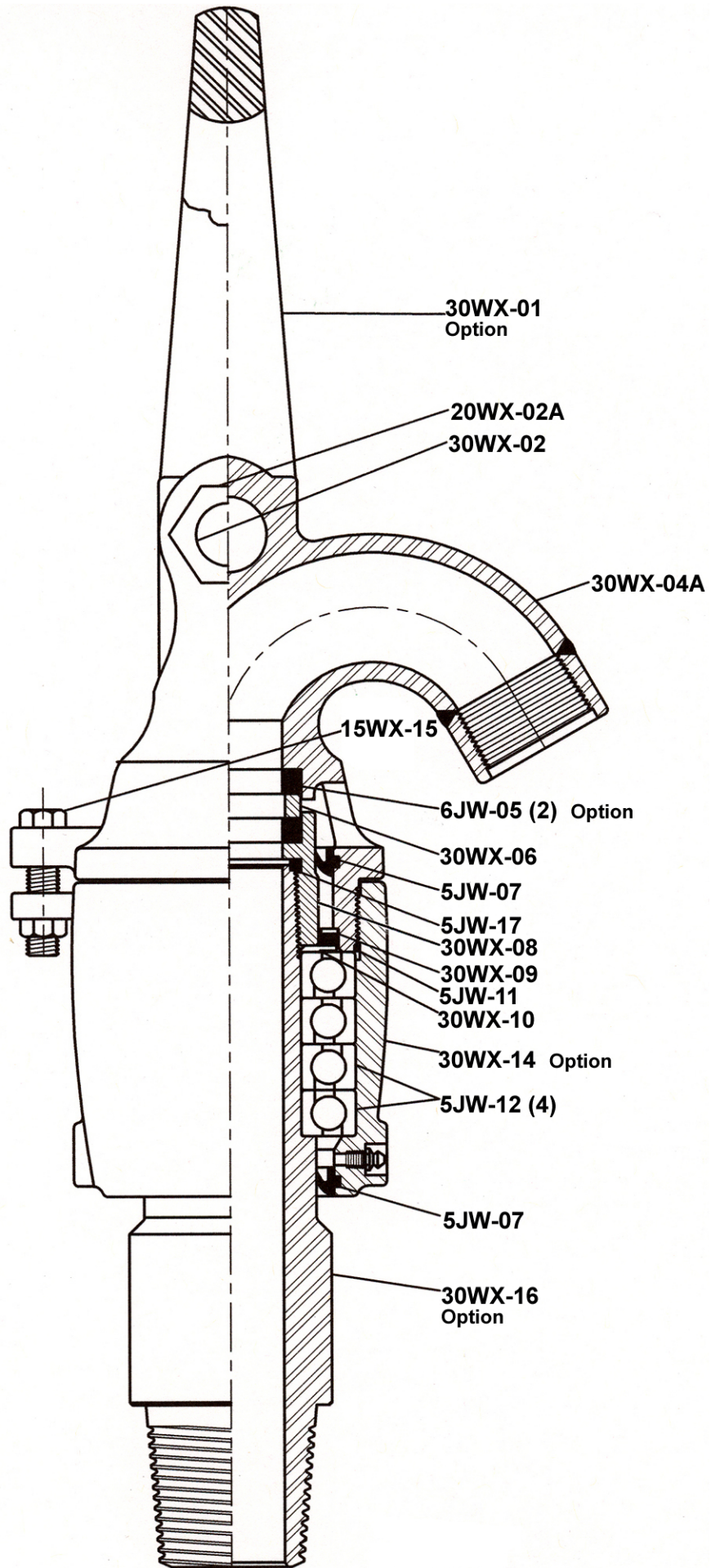
MODEL #	STATIC LOAD	ROTATING LOAD	SAFE DEPTH			
			2-3/8", 6.65	2-7/8", 10.4	3-1/2", 13.3	4-1/2", 16.6
30WX	90,000 LBS.	50,000 LBS. @ 100 RPM	5,000 FT	3,300 FT	2,600 FT	2,100 FT

PARTS LIST

PART NO.	DESCRIPTION	WT/LBS	QTY. REQ.	PRICE
30WX-3030-XX	WESTERN SWIVEL, LESS BAIL, 3" NPT FEMALE HOSE CONNECTION WITH 4 1/2" OD 8-V LH PIN LOWER CONNECTION			4732.64
	ADD FOR BAIL			828.72
	ADD FOR PULLDOWN TRUNNION PINS			280.00
	ADD FOR SPECIAL LOWER CONNECTION			375.00
	ADD FOR ELEVATOR SHANK (3 1/2" OR SMALLER)			1983.42
30WX-01	BAIL (5" X 8")	26.00	1	828.72
30WX-01E	ELEVATOR SHANK (3 1/2" OR SMALLER)	71.00	Option	1983.42
30WX-02	BAIL PIN	6.50	1	271.05
20WX-02A	BAIL PIN NUT	.75	2	10.92 ea
30WX-04A	GOOSENECK, 3" NPT FEMALE HOSE CONNECTION	43.00	1	1378.15
6JW-05	+ PACKING	.25	2	15.34 ea
6JW-05-90	PACKING, 90 DURO (HIGH PRESSURE)	.25	Option	15.34 ea
6JW-05V	PACKING VITON	.25	Option	59.33 ea
30WX-06	+ WEARBUSHING	2.00	1	66.41
5JW-07	+ HOUSING SEAL	.25	2	26.22 ea
5JW-07V	HOUSING SEAL VITON	.25	Option	66.35 ea
30WX-08	SPINDLE NUT	6.00	1	407.03
30WX-09	+ SHIELD SEAL	.50	1	60.09
30WX-10	+ BEARING SHIELD	.75	1	73.24
5JW-11	BEARING RETAINER WIRE	.12	1	12.88
5JW-12	+ BEARINGS	8.00	4	279.26 ea
30WX-14	BEARING HOUSING	42.00	1	1735.55
30WX-14A	BEARING HOUSING WITH PINS, 2" OD, 8 15/16" SHOULDERS	57.00	Option	2015.55
15WX-15	HOUSING BOLT AND NUT	.25	1	7.84
30WX-16KD-LP	SPINDLE, 4 1/2" OD 8-V LH PIN	37.00	1	1092.67
30WX-16JG-LP	SPINDLE, 3 1/2" FULL HOLE LH PIN	37.00	Option	1467.67
30WX-16JE-LP	SPINDLE, 3 1/2" IF LH PIN	39.25	Option	1467.67
30WX-16XJE-LP	SPINDLE, 3 1/2" IF LH PIN (SHORTEN PIN, FULL 3" ID)	38.50	Option	1467.67
5JW-17	+ SPINDLE THREAD SEAL	.06	1	18.48
30WX-40	MAINTENANCE KIT (8) 6JW-05, (1) 30 WX-06			179.67
30WX-40R	REPAIR KIT + Included in Repair Kit			1322.55

Other sizes of connections available, please consult factory.

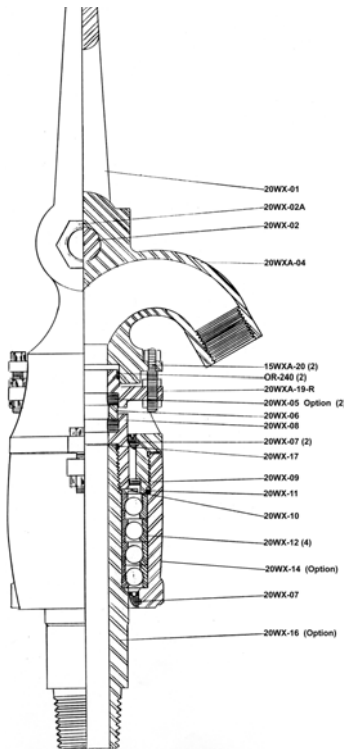
Option for above swivel, may affect pricing of complete swivel. Other options available, please consult factory.



20 WXA

Adjustable Packing Swivel

- For WATER, GEOPHYSICAL, and MONITORING well drilling
- Light Weight
- Alloy Steel construction for strength
- Large Watercourse
- For Pulldown or Kelly Bar machines
- Flexible BAIL or ELEVATOR SHANK available
- Thrust ball bearings support drill pipe load while providing radial capacity.
- Seal Bearing Case with grease lubrication
- TRUNNION PINS available
- Choice of lower connection threads
- Designed for easy field service and maintenance



TECHNICAL DATA

MODEL #	LENGTH OVERALL	WT/LBS EACH	HOSE CONN. FEMALE	LOWER CONN* PIN	WATER COURSE	WORKING OPENING	BAIL OPENING
20WXA	38"	165	2-1/2" NPT	3-1/2" OD 8-V LH	MAX 2-1/2" ID	To 300 PSI	4-1/4" X 8"

SAFE WEIGHT LOADS

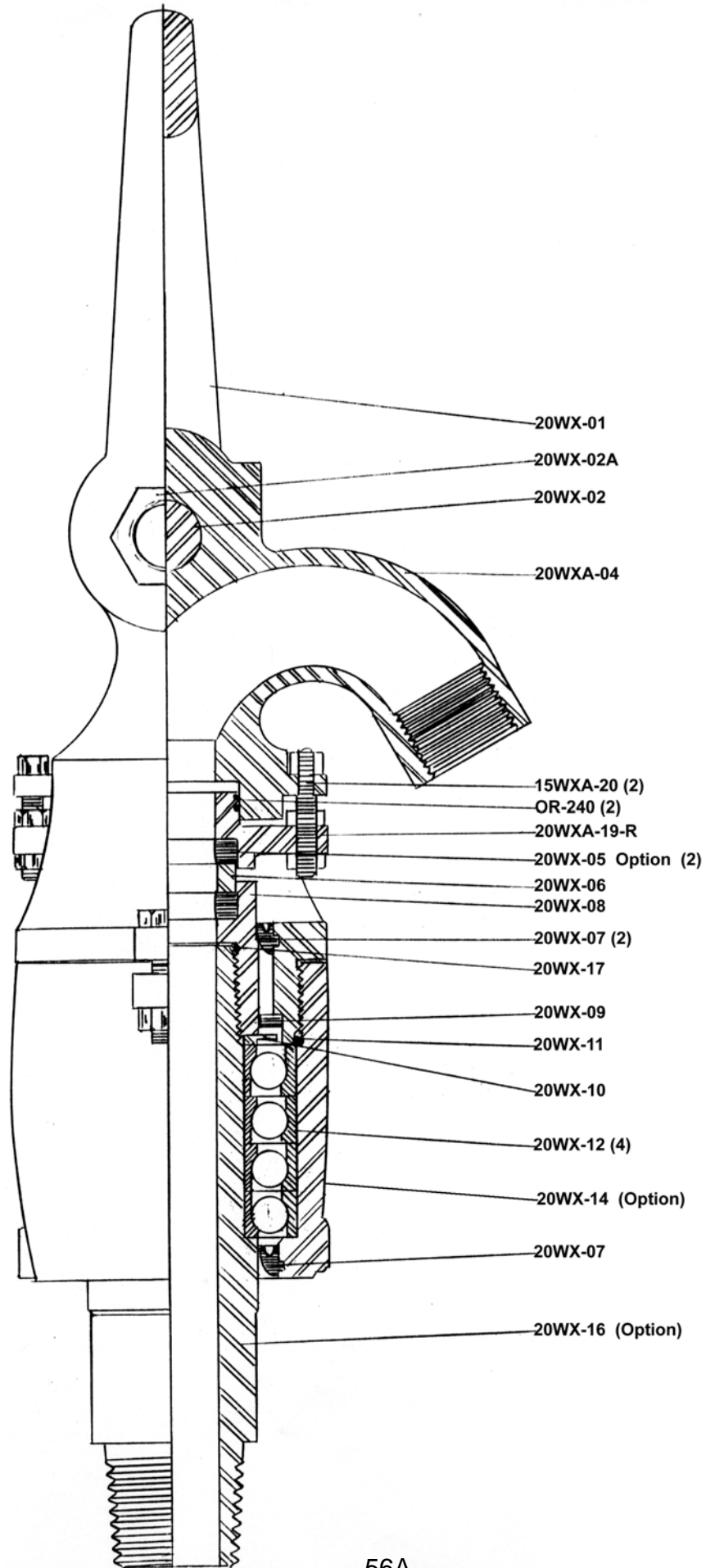
MODEL #	STATIC LOAD	ROTATING LOAD	SAFE DEPTH			
			2-3/8", 6.65	2-7/8", 10.4	3-1/2", 13.3	4-1/2", 16.6
20WXA	70,000 LBS.	36,000 LBS. @ 100 RPM	3,600 FT	2,400 FT	1,800 FT	---

PARTS LIST

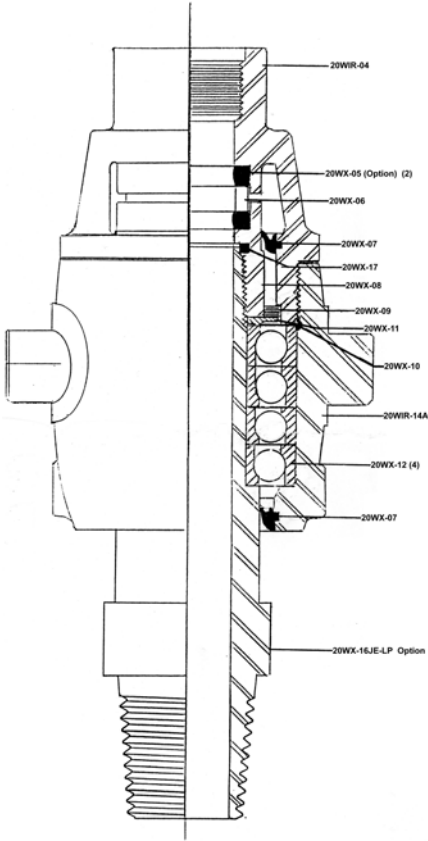
PART NUMBER	DESCRIPTION	WT/LB EACH	QTY. REQ.	PRICE
20WXA-3120-XX	WESTERN SWIVEL, LESS BAIL, 2 1/2" NPT FEMALE HOSE CONNECTION, WITH ADJUSTABLE PACKING, WITH 3 1/2" OD 8-V / 3 1/2" IF LH PIN LOWER CONNECTION			3911.12
	ADD FOR BAIL			519.88
	ADD FOR "SPECIAL SPINDLE"			275.00
	ADD FOR TRUNNION PINS			280.00
20WX-01	BAIL	21.00	1	519.88
20WX-01E	ELEVATOR SHANK	42.00	OPTION**	1645.53
20WX-02	BAIL PIN	4.00	1	271.05
20WX-02A	BAIL PIN NUT	.75	2	10.92 ea
20WXA-04A	GOOSENECK, 2 1/2" NPT FEMALE	58.00	1	1339.19
20WX-05	+ PACKING	.25	2	15.34 ea
20WX-05-90	PACKING, 90 DURO (RED)	.25	OPTION	15.34 ea
20WX-05V	PACKING, VITON	.25	OPTION	42.56 ea
20WX-06	+ WEARBUSHING	1.00	1	46.90
20WX-07	+ HOUSING SEAL	.12	2	24.16 ea
20WX-07V	HOUSING SEAL, VITON	.12	OPTION	59.53 ea
20WX-08	SPINDLE NUT	4.50	1	316.38
20WX-09	+ SHIELD SEAL	.37	1	41.55
20WX-10	+ BEARING SHIELD	.50	1	60.09
20WX-11	BEARING RETAINER WIRE	.12	1	10.36
20WX-12	+ BEARINGS	4.25	4	197.90 ea
20WX-14	BEARING HOUSING	37.00	1	1166.00
20WIR-14A	BEARING HOUSING, 7 1/2" SHOULDERS 2" PIN TRUNNION PINS	43.00	OPTION	1446.00
20WIR-14B	BEARING HOUSING, 8 5/16" SHOULDERS 2" PIN TRUNNION PINS	45.00	OPTION	1446.00
15WX-15	LOCK SCREW WITH NUT, BEARING HOUSING	.25	1	7.84
20WX-16JD-LP	SPINDLE, 3 1/2" OD 8-V LH PIN	28.00	1	989.13
20WX-16JE-LP	SPINDLE, 3 1/2" IF LH PIN	34.00	OPTION**	989.13
20WX-16GE-LP	SPINDLE, 2 7/8" IF LH PIN	31.00	OPTION**	1264.13
20WX-17	+ SPINDLE THREAD SEAL	.06	1	18.48
20WXA-19-R	PACKING ADJUSTING GLAND	7.25	1	310.32
15WXA-20	ADJUSTING SCREW W/NUTS	1.75	2	29.12 ea
OR-240	+ O-RING, ADJUSTING GLAND	.01	2	4.00 ea
20WX-40	MAINTENANCE KIT (8) 20WX-05, (1) 20WX-06			161.14
20WXA-40R	REPAIR KIT, + INCLUDED IN REPAIR KIT			993.34

Other sizes of connections available, please consult factory.

Option for above swivel, may affect pricing of complete swivel. Other options available, please consult factory.



20WIR SWIVEL



- For the TH-55 and TH-60 drills
- Alloy steel construction for strength and durability
- For MUD and AIR drilling
- Trunnion pins to 2"
- Thrust ball bearings for supporting pipe load and radial load
- Designed for easy service and field maintenance
- Equal hoisting and pull down load capacity
- Longer Spindle available

TECHNICAL

MODEL #	PACKING	LENGTH OVERALL	WT/LBS EACH	HOSE CONN. FEMALE	LOWER CONN.*	WATER PRESSURE	WORKING OPENING
20WIR	FIXED	20-1/2"	116	3" NPT	3-1/2" IF LH	2-1/2"	To 300 PSI
		37-1/2"	155	3" NPT	3-1/2" IF LH (LONG)	2-1/2"	To 300 PSI

SAFE WEIGHT LOADS

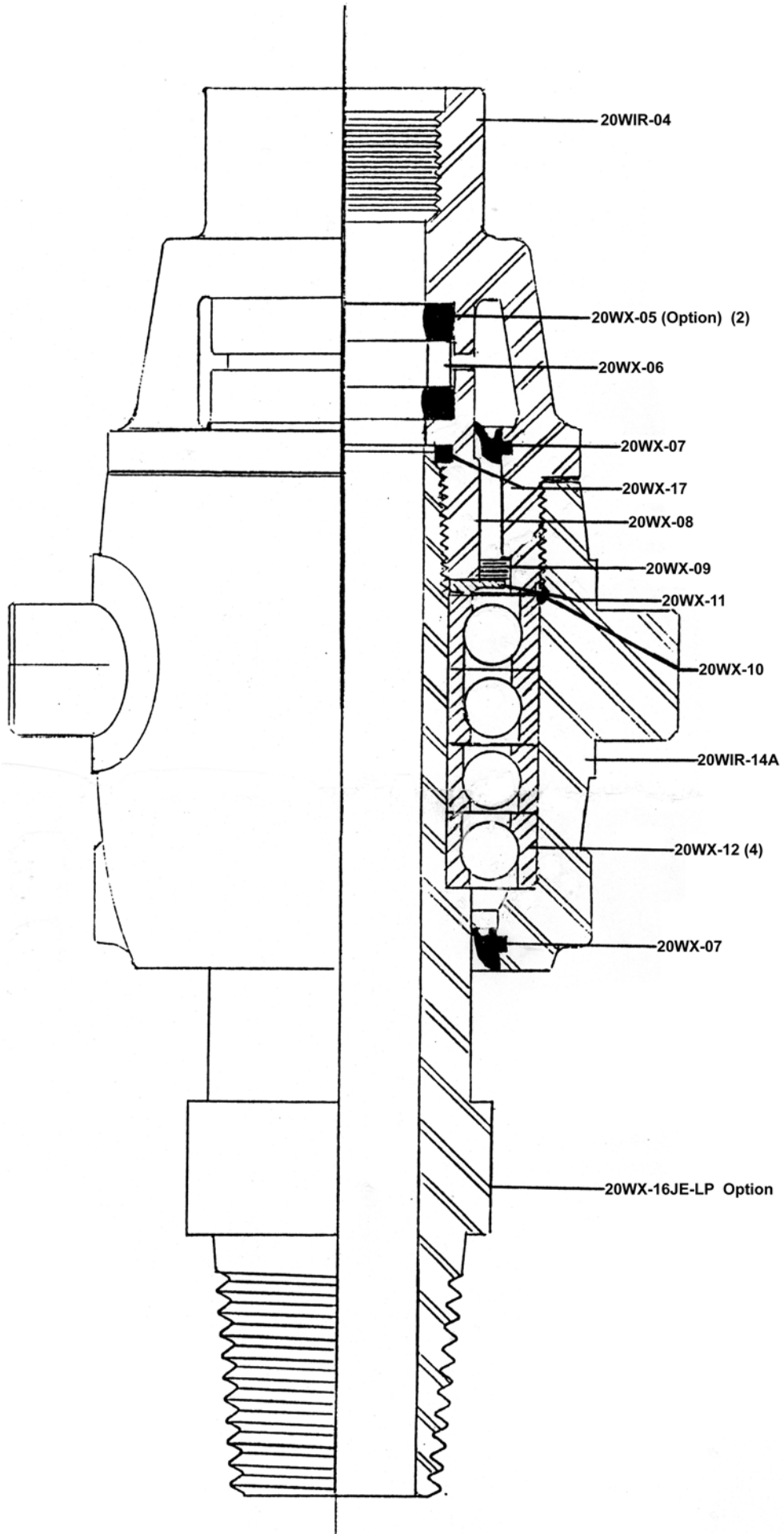
MODEL #	STATIC LOAD	ROTATING LOAD	DRILL DEPTH	SIZE/WT/FT
20WIR	40,000 LBS.	27,000 LBS. @ 100 RPM	1,800 FT	2-7/8" / 10.4 LBS
			1,400 FT	3-1/2" / 13.3 LBS

PARTS LIST

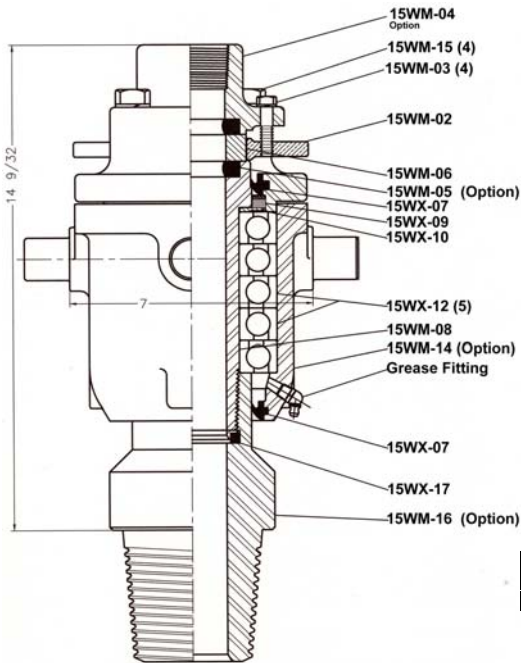
PART NO.	DESCRIPTION	QTY. REQ.	PRICE
20WIR-3200-XX	WESTERN SWIVEL, 3" NPT FEMALE HOSE CONNECTION STRAIGHT UP, 2" OD TRUNNION PINS ON 7 1/2" SHOULDER, WITH 3 1/2" IF LH PIN LOWER CONNECTION		3721.67
	ADD FOR LONG 3 1/2" IF LH PIN LOWER CONNECTION		CONSULT
20WIR-04	GOOSENECK, 3" NPT FEMALE HOSE CONNECTION	1	1038.96
20WX-05	+ PACKING	2	15.34 ea
20WX-05-90	PACKING, 90 DURO (HIGH PRESSURE)	Option	15.34 ea
20WX-05V	PACKING VITON	Option	42.56 ea
20WX-06	+ WEARBUSHING	1	46.90
20WX-07	+ HOUSING SEAL	2	24.16 ea
20WX-07V	HOUSING SEAL, VITON	Option	59.53 ea
20WX-08	SPINDLE NUT	1	316.38
20WX-09	+ SHIELD SEAL	1	41.55
20WX-10	+ BEARING SHIELD	1	60.09
20WX-11	BEARING RETAINER WIRE	1	10.36
20WX-12	+ BEARINGS	4	197.90 ea
20WIR-14A	BEARING HOUSING WITH PINS, 2" OD, 7 1/2" SHOULDERS	1	1446.00
15WX-15	LOCK SCREW AND NUT, BEARING HOUSING	1	7.84
20WX-16JE-LP	LOWER CONNECTION, 3 1/2" IF LH PIN	1	989.13
20WX-16XJE-LP	LOWER CONNECTION, LONG 3 1/2" IF LH PIN	Option	CONSULT
20WX-17	+ SPINDLE THREAD SEAL	1	18.48
20WX-40	MAINTENANCE KIT (8) 20WX-05, (1) 20WX-06		161.14
20WX-40R	REPAIR KIT + Included in Repair Kit		993.34

Other sizes of connections available, please consult factory.

Option for above swivel, may affect pricing of complete swivel. Other options available, please consult factory.



15WM



- For Drilling Rigs with Chain or Cable PULL DOWN
- Constructed from alloy steel for durability
- For MUD and AIR drilling
- Can be furnished with bail
- Trunnion Pins to 1-3/4"
- Thrust ball bearing for supporting pipe load and radial load
- Designed for easy service and field maintenance
- Choice of Lower Connection Threads

TECHNICAL DATA

PACKING	LENGTH OVERALL	WT/LBS EACH	HOSE CONN. FEMALE	LOWER CONN.	WORKING PRESSURE	FLUID OPENING
FIXED	19 1/2"	80	2" NPT	2 7/8" IF LH	To 300 PSI	2"

SAFE WEIGHT LOADS

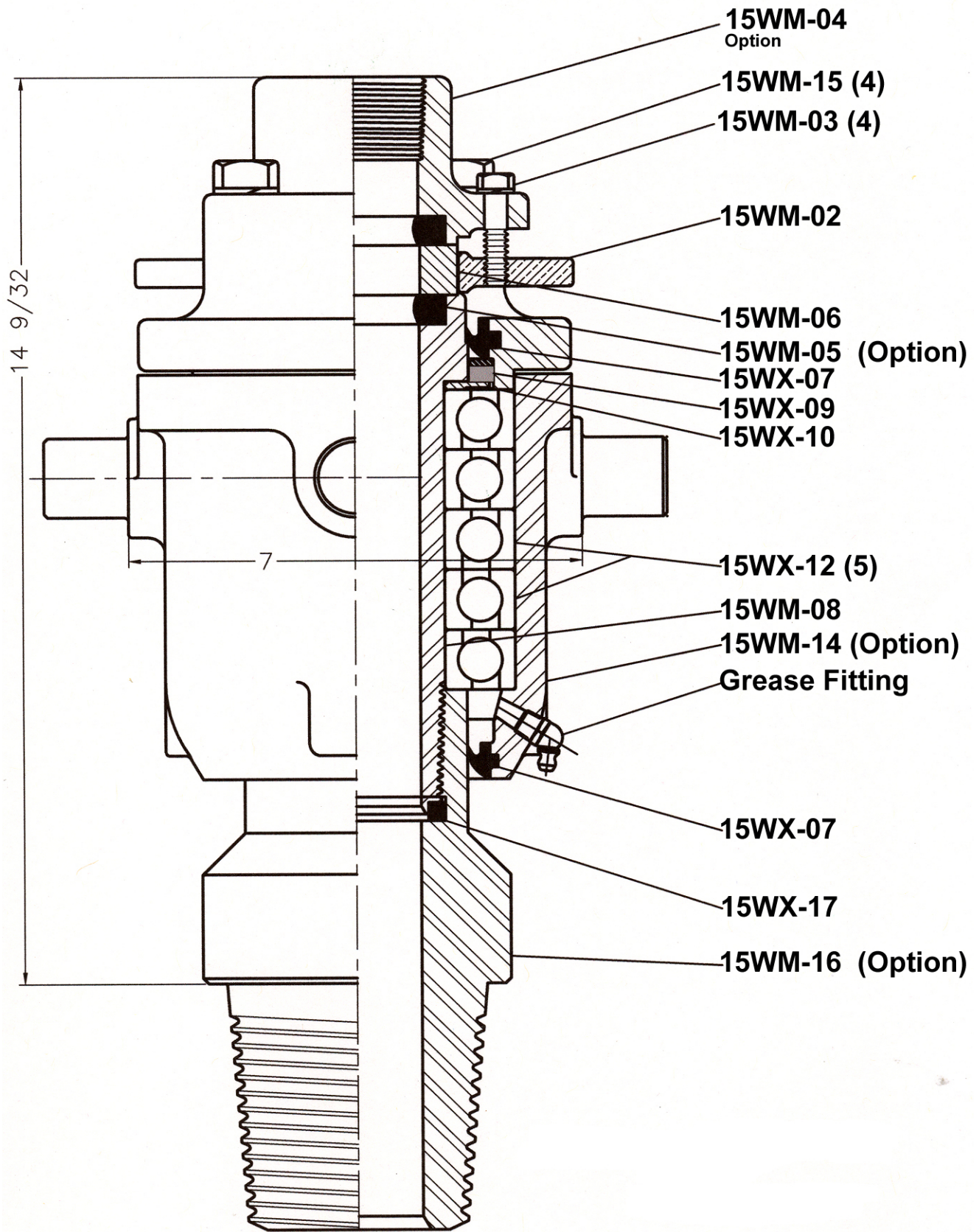
STATIC LOAD	ROTATING LOAD	DRILL DEPTH	SIZE/WT/FT
30,000 LBS.	27,000 LBS. @ 100 RPM	2,700 FT	2 3/8" / 6.65 LBS
		1,800 FT	2 7/8" / 10.4 LBS

PARTS LIST

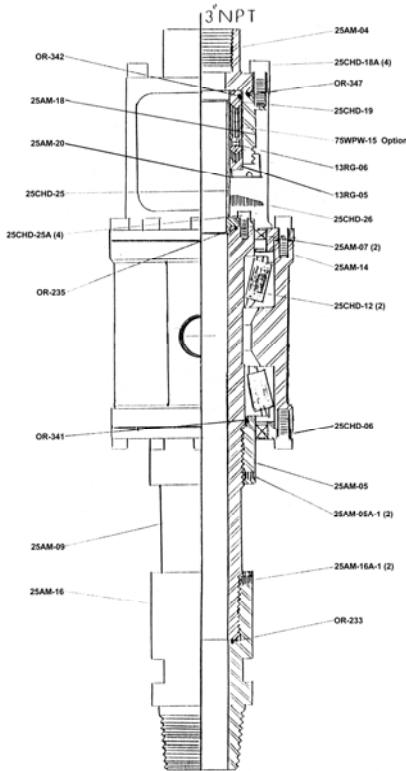
PART NO.	DESCRIPTION	WT/LBS	QTY. REQ.	PRICE
15WM-3600-XX	WESTERN SWIVEL, LESS BAIL, 2" NPT FEMALE HOSE CONNECTION, FOUR (4) PULLDOWN TRUNNION PINS, WITH 2 7/8" IF LH PIN LOWER CONNECTION			2819.50
	ADD FOR BAIL			600.54
	ADD FOR SPECIAL LOWER CONNECTION			375.00
15WM-01	BAIL	25.00	1	600.54
15WM-02	+ WEARBUSHING RETAINER	3.00	1	185.05
15WM-03	BOLT AND LOCKWASHER, W/B RETAINER	.10	4	3.00 ea
15WM-04	GOOSENECK, 2" NPT FEMALE HOSE CONNECTION	24.00	1	789.85
15WM-05	+ PACKING	.12	2	14.00 ea
15WM-05-90	PACKING, 90 DURO (HIGH PRESSURE)	.12	Option	14.00 ea
15WM-05V	PACKING, VITON	.12	Option	42.56 ea
15WM-06	+ WEARBUSHING	1.00	1	61.06
15WX-07	+ HOUSING SEALS	.25	2	23.01 ea
15WX-07V	HOUSING SEALS VITON	.25	Option	54.77
15WM-08	BEARING SPINDLE	10.00	1	457.09
15WX-09	+ SHIELD SEAL	.20	1	41.55
15WX-10	+ BEARING SHIELD	.25	1	58.55
15WX-12	+ BEARINGS	5.00	5	153.85 ea
15WM-14A	BEARING HOUSING, (4) 1 3/4" OD ON 7" SHOULDERS	24.00	1	1365.01
15WM-15	STUDS AND NUTS, BEARING HOUSING	.75	4	11.98 ea
15WM-16GD-LP	LOWER CONNECTION, 2 7/8" OD 8-V LH PIN	12.00	1	966.81
15WM-16GE-LP	LOWER CONNECTION, 2 7/8" IF LH PIN	12.00	1	591.81
15WM-16FE-LP	LOWER CONNECTION, 2 3/8" IF LH PIN	12.00	1	966.81
15WX-17	+ SPINDLE THREAD SEAL	.06	1	12.78
15WM-40	MAINTENANCE KIT (8) 15WM-05 (1) 15WM-06			164.41
15WM-40R	REPAIR KIT + Included in repair kit			1142.15

Other sizes of connections available, please consult factory.

Option for above swivel, may affect pricing of complete swivel. Other options available, please consult factory.



25AM



- Adjustable Chevron packing
- 2 ½ Fluid Passage
- For Pulldown Rigs
- Adjustable Packing
- Grease Lubricated Packing & Bearing
- Adjustable tapered roller bearings
- Bolt in packing capsule (Quick Change)

TECHNICAL

LENGTH	WIDTH	WEIGHT	HOSE CONN.	LOWER CONN.	FLUID PASSAGE	WORKING PRESSURE
	9 1/8		3" NPT	3 ½" IF	2 ½"	TO 1500 PSI

WEIGHT CAPACITY

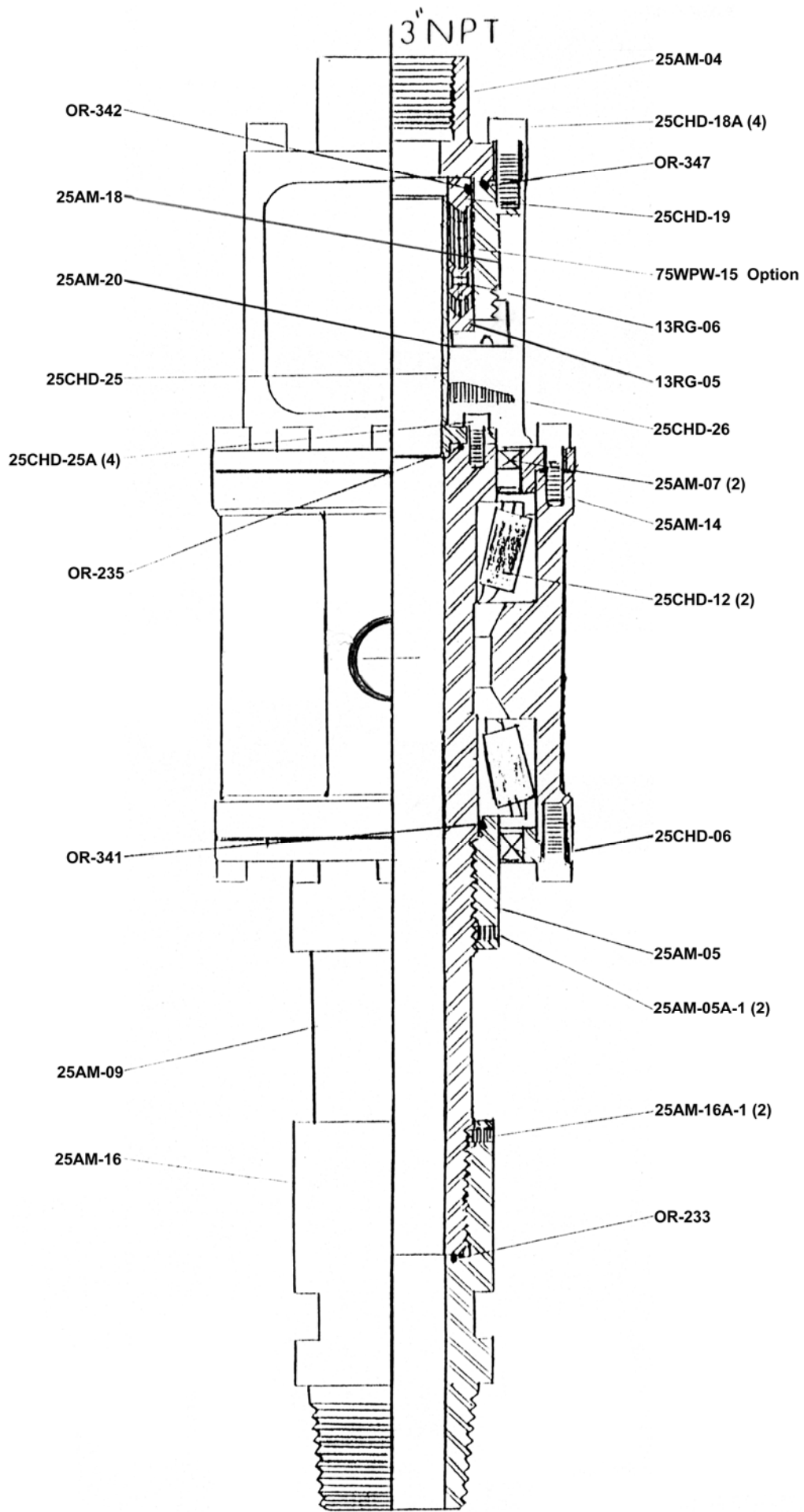
STATIC	ROTATING
60,000 LBS	28,000 LBS @ 100 RPM

PARTS LIST

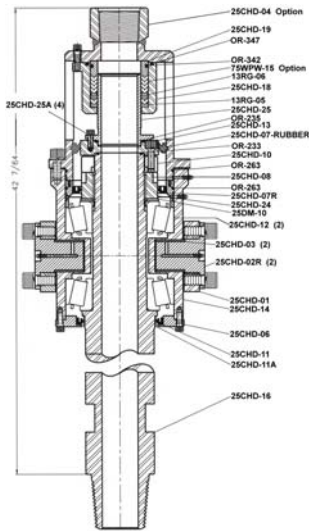
PART NUMBER	NAME	QTY. REQ.	PRICE
25AM-8010-XX	SWIVEL, HIGH PRESSURE WITH ADJUSTABLE PACKING, 3" HOSE CONNECTION WITH 2" OD PINS ON 9 1/8" SHOULDERS WITH 3 ½" IF LH PIN LOWER CONNECTION		6649.06
13RG-05	PACKING SEAT RING	1	79.36
13RG-06	LANTERN RING	1	103.75
25AM-18	PACKING BOX	1	813.90
25AM-20	PACKING ADJUSTING GLAND	1	743.85
25AM-04	BONNET 3" NPT HOSE STRAIGHT UP	1	1184.06
25AM-05	BEARING NUT	1	422.13
25AM-05A-1	SET SCREWS, ADJUSTING NUT	2	3.81 ea
25CHD-06	LOWER SEAL BOX	1	396.37
25AM-07	HOUSING SEAL	2	43.48 ea
25CHD-26	MUD SLINGER	1	14.07
25AM-09	BEARING SPINDLE	1	1247.26
25CHD-12	BEARINGS (CUP AND CONE)	2	CONSULT ea
25AM-16	LOWER SUB, 3 ½" IF LH PIN	1	1025.67
25AM-16A-1	SET SCREWS, LOWER SUB	2	5.60 ea
25CHD-19	PACKING GLAND	1	136.92
25CHD-25	WASHPIPE	1	286.81
25CHD-25A	CAP SCREWS, WASHPIPE	4	5.60 ea
OR-233	O RING (SPINDLE THREAD SEAL)	1	4.00
OR-235	O RING (WASHPIPE)	1	4.00
OR-341	O RING (BEARING ADJUSTING NUT)	1	4.00
OR-342	O RING (PACKING GLAND)	1	4.00
OR-347	O RING (PACKING BOX)	1	4.00
25DM-14	BEARING HOUSING, 2" OD PINS ON 9 1/8" SHOULDERS	1	1936.70
75WPW-15	PACKING SET	1	52.42
75WPW-15-416	PACKING SET (LOW PRESSURE)	Option	78.88

Other sizes of connections available, please consult factory.

Option for above swivel, may affect pricing of complete swivel. Other options available, please consult factory.



25CHD SWIVEL



- 2 ½ Fluid Passage
- For pulldown rigs
- Adjustable tapered roller bearings
- Grease lubricated packing & bearing
- Fits all TH60, T-3W and other drills

TECHNICAL

LENGTH	WIDTH	WEIGHT	HOSE CONN.	LOWER CONN.	FLUID PASSAGE	WORKING PRESSURE
45 ½	26 5/8	345	3" NPT	3 ½" IF	2 ½"	TO 1500 PSI

WEIGHT CAPACITY

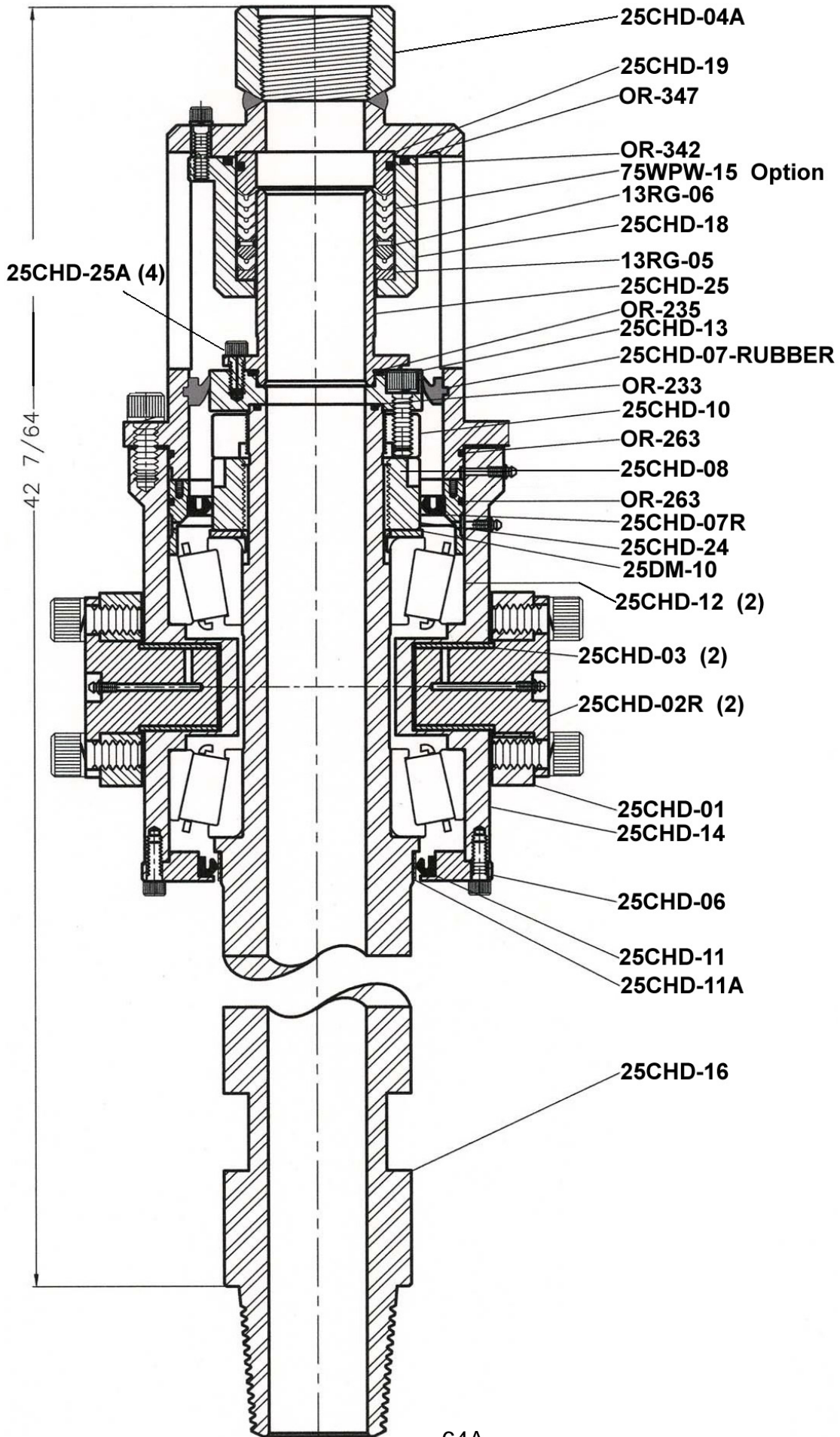
STATIC	ROTATING
90,000 LBS	40,000 LBS @ 100 RPM

PARTS LIST

PART NUMBER	NAME	QTY. REQ.	PRICE
25CHD-8030-XX	(REVISED) SWIVEL WITH YOKE ASSEMBLY, 3" NPT FEMALE HOSE CONNECTION, STRAIGHT UP, CHEVRON (V-RING) PACKING, WITH 3 ½" IF LH PIN LOWER CONNECTION *FIXED PACKING, NO ADJUSTMENT*		9080.92
13RG-05	PACKING SEAT RING	1	79.36
13RG-06	LANTERN RING	1	103.75
25CHD-01	YOKE ASSEMBLY	1	1755.76
25CHD-02R	TRUNNION PINS	2	357.06 ea
25CHD-03	BUSHING, TRUNNION PINS	2	125.72 ea
25CHD-04A	BONNET, 3" NPT FEMALE HOSE CONNECTION STRAIGHT UP	1	1698.52
25CHD-06	LOWER SEAL BOX	1	396.37
25CHD-07R	SEAL, UPPER HOUSING (SEAL BOX)	1	76.82
25CHD-07-RUBBER	SEAL, UPPER HOUSING (BONNET)	1	27.15
25CHD-08	BEARING ADJUSTING NUT	1	418.90
25CHD-10	BEARING LOCK NUT	1	327.58
25CHD-11	SEAL, LOWER HOUSING	1	54.16
25CHD-11A	SLEEVE, LOWER WEAR	1	51.13
25CHD-12	BEARING (CUP AND CONE)	2	CONSULT
25CHD-13	ADAPTER, WASHPIPE	1	347.39
25CHD-14	BEARING HOUSING	1	2125.13
25CHD-16	SPINDLE, 3 ½" IF LH PIN	1	2786.62
25CHD-18	PACKING BOX	1	528.00
25CHD-19	PACKING GLAND	1	136.92
25CHD-24	SEAL BOX, UPPER	1	507.41
25CHD-25	WASHPIPE	1	286.81
25CHD-25A	CAP SCREWS, WASHPIPE	4	5.60 ea
25CHD-26	SLINGER RING	1	14.07
25DM-10	BEARING SHIELD	1	212.17
OR-234	O RING, SPINDLE	1	4.00
OR-235	O RING, WASHPIPE	1	4.00
OR-263	O RING, SEAL BOX AND BONNET	2	4.00 ea
OR-342	O RING, PACKING GLAND	1	4.00
OR-347	O RING, PACKING BOX	1	4.00
75WPW-15	PACKING	1	52.42
75WPW-15-416	PACKING (LOW PRESSURE)	OPTION	78.88

Other sizes of connections available, please consult factory.

Option for above swivel, may affect pricing of complete swivel. Other options available, please consult factory.

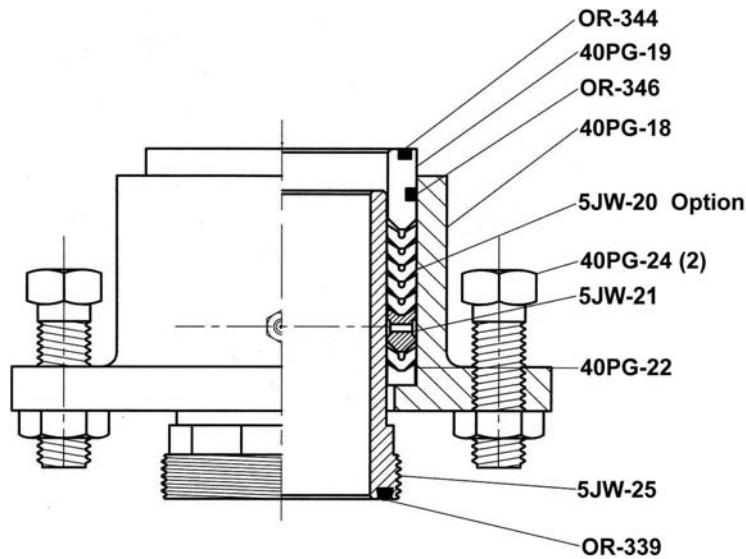


COMING SOON:

25CHD-50RR

**RUBBER RING
ASSEMBLY**

PACKING ASSEMBLY FOR 30 PG, 40 PG, 50 PG SWIVEL



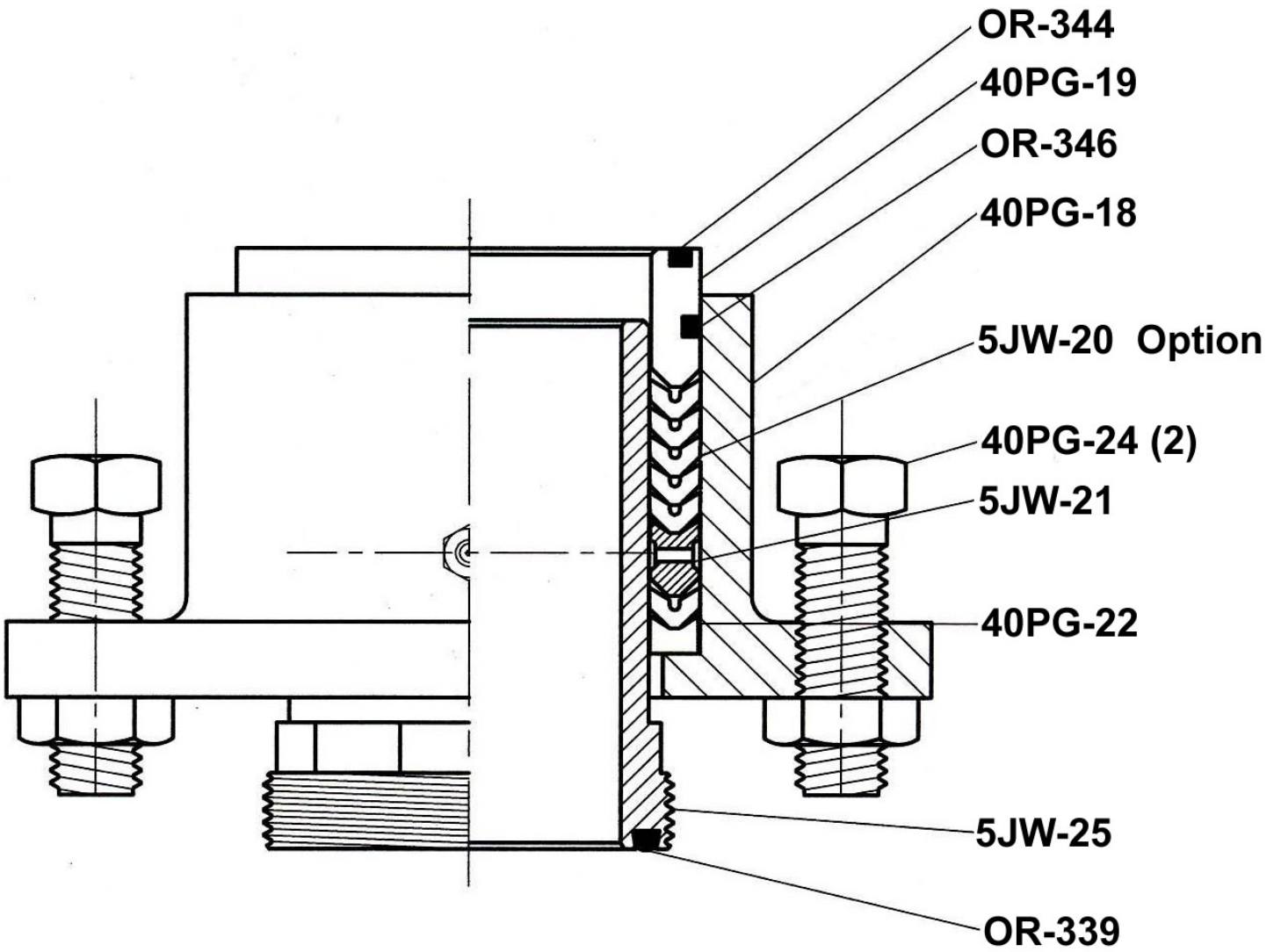
- Fits all KG and PG swivels
- Grease lubricated Chevron V-Ring Packing
- Adjustable

PARTS LIST

PART NUMBER	NAME	QTY. REQ.	PRICE
40PG-40	PACKING ASSEMBLY (COMPLETE)	1	1021.29
40PG-18	PACKING BOX	1	650.66
40PG-19	PACKING GLAND	1	124.60
5JW-20	PACKING SET	1	52.42
5JW-20-416	PACKING SET (LOW PRESSURE)	Option	78.88
5JW-21	LANTERN RING	1	112.39
40PG-22	PACKING SEAT RING	1	79.36
40PG-24	PACKING ADJUSTING SCREW AND NUT	2	13.94 ea
5JW-25	WASHPIPE	1	217.30
OR-339	O RING (WASHPIPE)	1	4.00
OR-344	O RING (PACKING GLAND)	1	4.00
OR-346	O RING (PACKING GLAND)	1	4.00

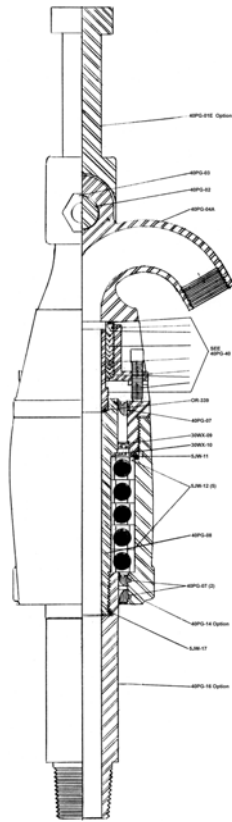
Other sizes of connections available, please consult factory.

Option for above swivel, may affect pricing of complete swivel. Other options available, please consult factory.



40PG SWIVEL

- For DEEP WATER WELL, WORKOVER, and SHALLOW OIL WELL Drilling
- Hardened ground WASHPIPE and CHEVRON (V-Ring) PACKING, grease lubricated
- Oversized WATERCOURSE, 3" ID
- Flexible BAIL or ELEVATOR SHANK available
- Adjustable Packing
- Packing can be changed quickly without disassembling swivel.
- Thrust ball bearings support drill pipe load while providing radial capacity.
- Seal Bearing Case with grease lubrication
- TRUNNION PINS available for pull down rigs
- Large choice of optional Lower Connections Threads
- Designed for easy field service and maintenance



TECHNICAL

MODEL #	LENGTH OVERALL	WT/LBS EACH	HOSE CONN. FEMALE	LOWER CONN* PIN	WATER COURSE	WORKING PRESSURE	BAIL OPENING
40PG	57"	347	3" NPT	4-1/2" OD 8-V LH	MAX. 3" ID	To 1500 PSI	6" X 14"

SAFE WEIGHT LOADS

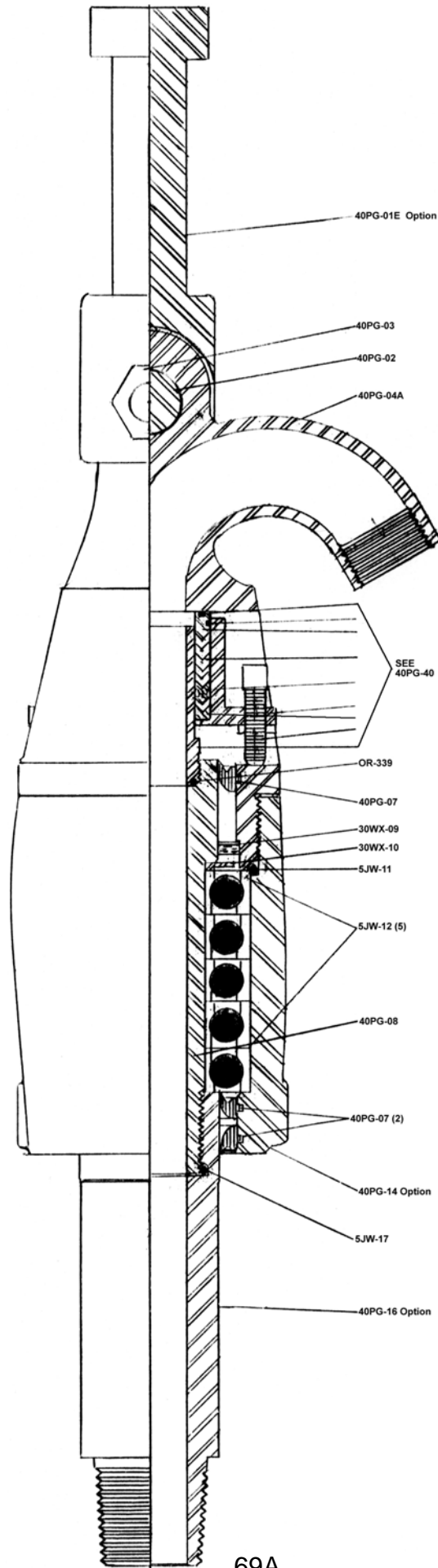
MODEL #	STATIC LOAD	ROTATING LOAD	SAFE DEPTH			
			2-3/8", 6.65	2-7/8", 10.4	3-1/2", 13.3	4-1/2", 16.6
40PG	140,000 LBS.	71,000 LBS. @ 100 RPM	8,000 FT	5,000 FT	3,800 FT	3,000 FT

PARTS LIST

PART NUMBER	NAME	QTY. REQ.	PRICE
40PG-6000-XX	WESTERN SWIVEL, LESS BAIL OR ELEVATOR SHANK 3" NPT FEMALE HOSE CONNECTION, WITH 4 1/2" OD 8 V LH PIN LOWER CONNECTION		8105.26
	ADD FOR BAIL		957.26
	ADD FOR ELEVATOR SHANK (3 1/2" OD OR SMALLER)		2614.35
	ADD FOR TRUNNION PINS		280.00
	ADD FOR "SPECIAL" LOWER CONNECTION		375.00
40PG-01	BAIL	Option	957.26
40PG-01E	ELEVATOR SHANK (3 1/2" OR SMALLER)	Option	2614.35
40PG-02	BAIL PIN	1	396.99
40PG-03	BAIL PIN NUT	2	35.73 ea
40PG-04A	GOOSENECK, 3" NPT FEMALE HOSE CONNECTION	1	2098.58
40PG-07	HOUSING SEAL	3	30.81 ea
40PG-08	BEARING SPINDLE	1	1138.55
30WX-09	SHIELD SEAL	1	60.09
30WX-10	BEARING SHIELD	1	73.24
5JW-11	BEARING RETAINER WIRE	1	12.88
5JW-12	BEARING UPTHRUST / DOWNTHRUST	5	279.26 ea
40PG-14B	BEARING HOUSING	1	1768.75
40PG-14A	BEARING HOUSING W/PINS, 2" OD on 8 15/16" SHOULDERS	Option	2048.75
15WX-15	HOUSING LOCK BOLT AND NUT	1	7.84
40PG-16KD-LP	LOWER CONNECTION, 4 1/2" OD 8V LH PIN	1	1157.00
40PG-16JG-LP	LOWER CONNECTION, 3 1/2" FULL HOLE LH PIN	Option	1532.00
40PG-16JE-LP	LOWER CONNECTION, 3 1/2" IF LH PIN	Option	1532.00
5JW-17	SPINDLE THREAD SEAL	1	18.48
40PG-40	PACKING CAPSULE	1	1021.29

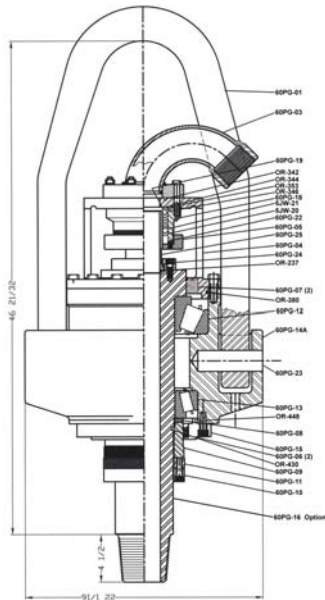
Other sizes of connections available, please consult factory.

Option for above swivel, may affect pricing of complete swivel. Other options available, please consult factory.



60 PG

- Designed for water well but oilfield tough
- Full 3" fluid passage
- Adjustable tapered roller bearing
- Oil lubricated bearings
- Adjustable, grease lubricated Chevron packing
- Available with trunnion pins for pulldown
- Floating washpipe



TECHNICAL

LENGTH	WIDTH	WEIGHT	HOSE CONN.	LOWER CONN.	FLUID PASSAGE	WORKING PRESSURE
46 21/32	22 1/16	995	3" NPT	4" IF	3"	TO 3000 PSI

WEIGHT CAPACITY

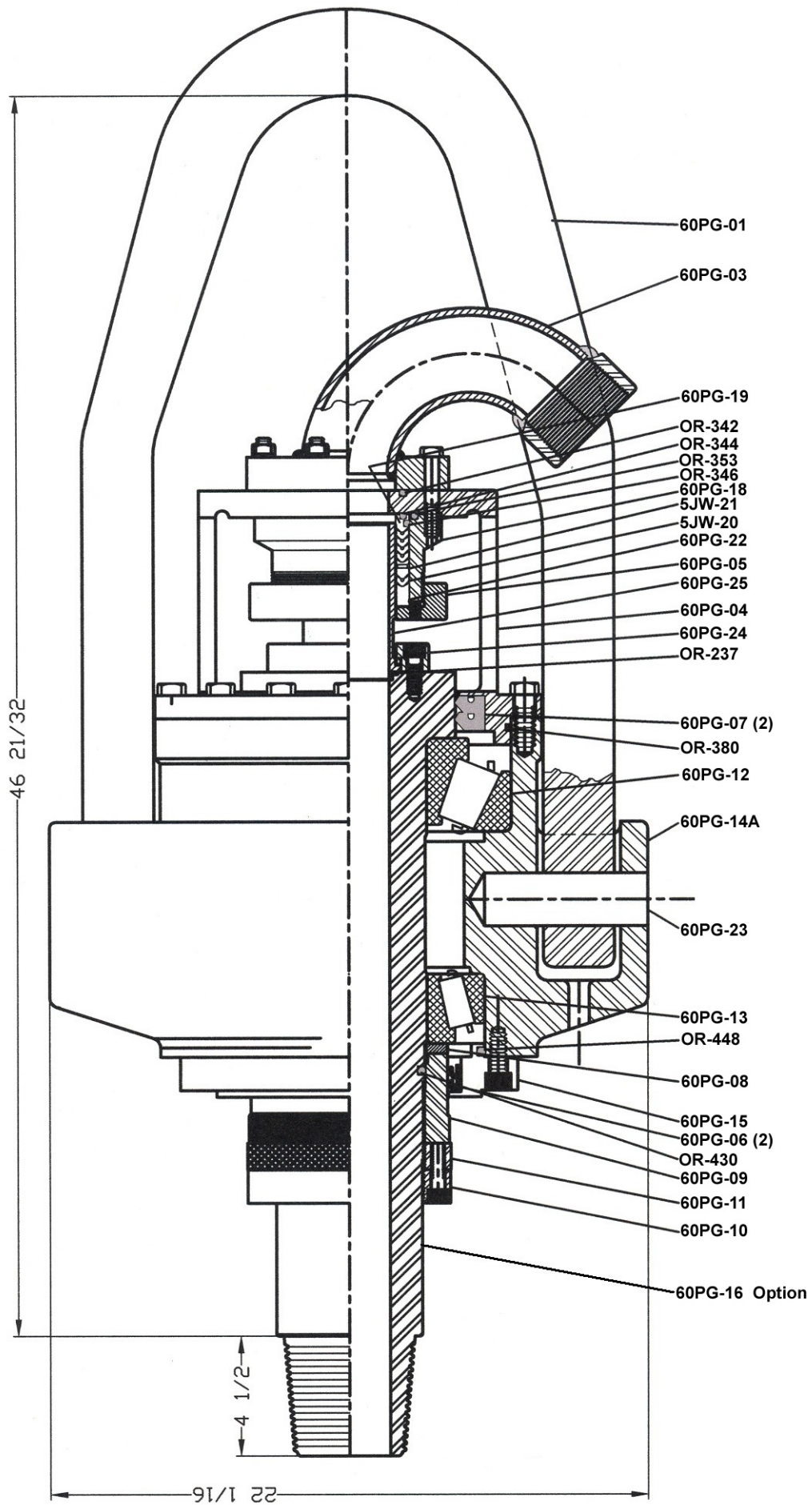
STATIC	ROTATING
87.5 TON	81,000 LBS @ 100 RPM

PARTS LIST

PART NUMBER	NAME	QTY. REQ.	PRICE
60PG-6400-XX	SWIVEL WITH BAIL, 3" NPT FEMALE HOSE CONNECTION STRAIGHT OUT, WITH 2" OD TRUNNIONS PINS ON 14 1/4" SHOULDERS, WITH 4" IF LH PIN LOWER CONNECTION, 3" FLUID PASSAGE		20,141.00
60PG-01	BAIL	1	2038.81
60PG-03	GOOSENECK ASSEMBLY, 3" NPT HOSE CONNECTION STRAIGHT OUT	1	656.04
60PG-04	BONNET	1	3003.45
60PG-05	PACKING ADJUSTMENT GLAND	1	653.02
60PG-06	LOWER HOUSING SEAL	2	87.99 ea
60PG-07	UPPER HOUSING SEAL	2	185.00 ea
60PG-08	BEARING SHIELD	1	366.25
60PG-09	BEARING ADJUSTING NUT	1	598.56
60PG-10	BEARING LOCK NUT	1	492.10
60PG-11	BEARING ADJUSTMENT NUT LOCK RING	1	802.23
60PG-12	BEARING, MAIN ASSEMBLY (CUP AND CONE)	1	CONSULT
60PG-13	BEARING, LOWER ASSEMBLY (CUP AND CONE)	1	CONSULT
60PG-14A	BEARING HOUSING FOR BAIL	1	7764.17
60PG-15	OIL BOX	1	1256.00
60PG-16IE-LP	SPINDLE, 4" IF LH PIN	1	4581.83
60PG-18	PACKING BOX	1	886.17
60PG-19	PACKING GLAND	1	124.60
60PG-22	PACKING SEAT RING	1	106.72
60PG-23	BAIL PINS	2	259.48 ea
60PG-24	NUT, WASHPIPE HOLDDOWN	1	676.76
60PG-25	WASHPIPE	1	319.56
5JW-20	PACKING	1	52.42
5JW-21	LANTERN RING	1	112.39
OR-237	O RING, WASHPIPE	1	4.00
OR-353	O RING, PACKING BOX	1	4.00
OR-380	O RING, BONNET	1	4.00
OR-430	O RING (STEM/ADJUSTING NUT)	1	4.00
OR-448	O RING (OIL BOX)	1	4.00
6WC-02A	RETAINER, BAIL PIN	2	7.55 ea
OR-342	O RING (GOOSENECK)	1	4.00
OR-344	O RING (PACKING GLAND)	1	4.00
OR-346	O RING (PACKING GLAND)	1	4.00

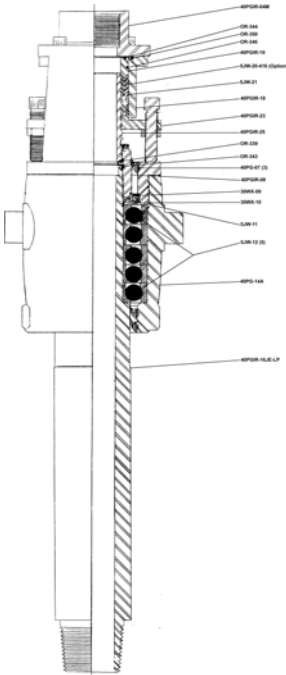
Other sizes of connections available, please consult factory.

Option for above swivel, may affect pricing of complete swivel. Other options available, please consult factory.



71A

40 PGIR



- Being replaced with 40RM
- Fits all TH-75 and TH-75E
- Grease lubricate and adjustable Chevron packing
- Full 3" fluid passage
- Available wear tube

TECHNICAL

LENGTH	WIDTH	WEIGHT	HOSE CONN.	LOWER CONN.	FLUID PASSAGE	WORKING PRESSURE
40 ½	8 15/16	280	3" NPT	3 ½ IF (MOD)	3"	TO 1500 PSI

WEIGHT CAPACITY

STATIC	ROTATING
140,000 LBS	71,000 LBS @ 100 RPM

PARTS LIST

PART NUMBER	NAME	QTY. REQ.	PRICE
40PGIR-6000-XX	WESTERN SWIVEL, FOR TH-75 DRILL, 3" NPT H/C, STRAIGHT UP, (2) 2" OD TRUNNION PINS ON 8 15/16" SHOULDERS, WITH 3 ½" IF (MOD) LH PIN LOWER CONNECTION LH PIN LOWER CONNECTION		8105.26
40PGIR-04RM	GOOSENECK, 3" NPT FEMALE		2145.08
40PG-07	HOUSING SEAL	3	30.81 ea
40PGIR-08 SN	SPINDLE NUT, (NEW STYLE)	1	897.34
40PGIR-08 SN-A	SET SCREW, SPINDLE NUT	2	1.50 ea
30WX-09	SHIELD SEAL	1	60.09
30WX-10	BEARING SHIELD	1	73.24
5JW-11	BEARING RETAINER WIRE	1	12.88
5JW-12	BEARING	5	279.26 ea
40PG-14A	BEARING HOUSING, 2" PINS, 8 15/16" SHOULDERS	1	2048.75
15WX-15	HOUSING LOCK BOLT AND NUT	1	7.84
40PGIR-16JE-LP	SPINDLE, LONG, W / 3 ½" IF (MOD) LH PIN	1	1911.98
40PGIR-18	PACKING BOX	1	851.63
40PGIR-18A	BOLTS W/WASHERS, PACKING BOX	4	4.50 ea
40PGIR-19	PACKING GLAND	1	124.60
5JW-20	PACKING SET	OPTION	52.42
5JW-20-416	PACKING SET, LOW PRESSURE	1	78.88
5JW-21	LANTERN RING	1	112.39
40PGIR-23	PACKING ADJUSTING GLAND	1	601.43
40PGIR-24	ADJUSTING SCREW WITH NUT	2	13.94 ea
40PGIR-25	WASHPIPE	1	391.22
OR-339	O-RING, WASHPIPE	1	4.00
OR-343	O-RING, THREAD SEAL	1	4.00
OR-344	O-RING, PACKING GLAND	1	4.00
OR-346	O-RING, PACKING GLAND	1	4.00
OR-350	O-RING, PACKING BOX	1	4.00
40PGIR-70WT	WEAR TUBE	OPTION	927.05

Other sizes of connections available, please consult factory.

Option for above swivel, may affect pricing of complete swivel. Other options available, please consult factory.

