



# WESTERN RUBBER AND MANUFACTURING SINCE 1977

Prices  
Effective  
May 15, 2008

## Side Feeds

\* 6RG

\* 12RG

\* 20RG

\* 30RG

\* 4.5PE

\* 5.0PE

\* 8.0PE

\* 7RG

\* 13RG

\* 8K

\* 4.5RG

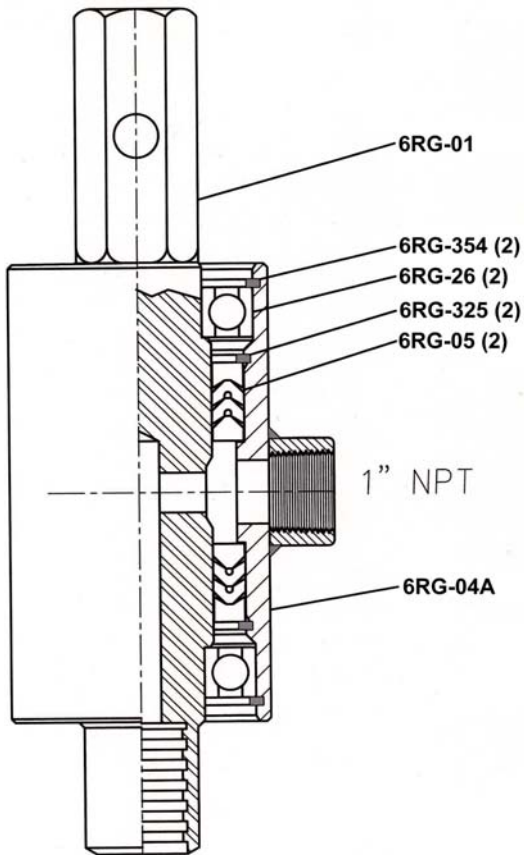
\* 5.7PE

\* 9.7PE

7015 Old Hwy 105 W.  
Conroe, TX 77304  
Office (936) 588-3033 Fax (936) 588-3132  
Toll Free (800) 367-5285

***"SERVING THE WATER, MONITORING & ENERGY INDUSTRIES"***

# SPECIAL INLETS “SPECIAL SWIVEL” 6RG



- Manufactured from high grade alloy steel
- Working Pressures to 350 PSI
- Radial Ball Bearings for smooth rotation
- Non adjustable chevron (V-ring) packing
- Grease Lubricated
- Can be used for both mud and air drilling
- Can be repaired if necessary in the field
- 6RG-S-4005-XX has a working pressure to 750 PSI

## TECHNICAL DATA

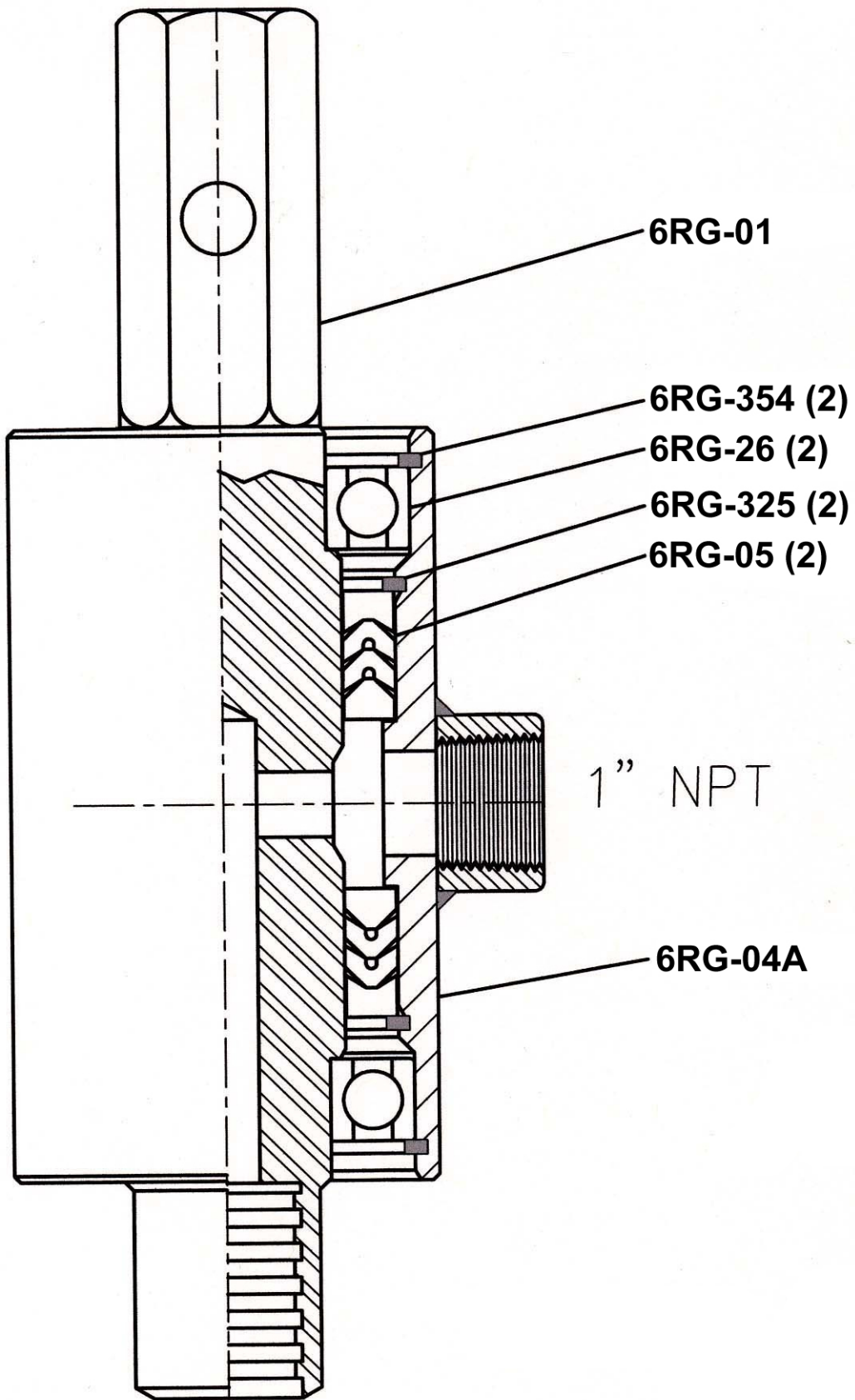
MODEL#	OVERALL LENGTH	WIDTH	WEIGHT LBS.	UPPER	HOSE CONN.	LOWER CONN.	WATERCOURSE CONN.
6RG	13-1/2"	4"	22.0	1-5/8" HEX	1"	AW BOX	5/8"

## PARTS LIST

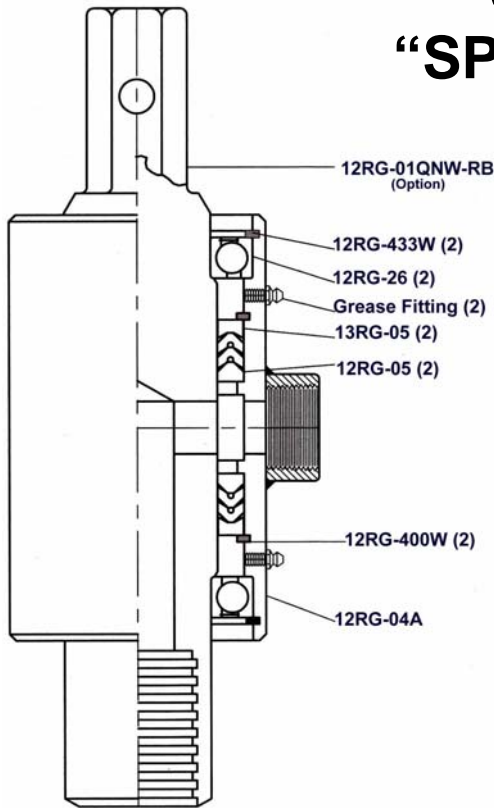
PART NO.	DESCRIPTION	WT/LB EACH	QTY. REQ.	PRICE
<b>6RG-4005-XX</b>	WESTERN SIDE INLET SWIVEL, 1 5/8" MALE HEX TOP CONN., 1" NPT FEMALE HOSE CONNECTION WITH AW ROD RH BOX LOWER CONNECTION			580.26
<b>6RG-S-4005-XX</b>	WESTERN SIDE INLET SWIVEL WITH STEEL ADAPTER 1 5/8" MALE HEX TOP CONN., 1" NPT FEMALE HOSE CONNECTION WITH AW ROD RH BOX LOWER CONNECTION			658.61
	ADD FOR "SPECIAL STEM"			275.00
6RG-01	STEM, 1 5/8" HEX BY AW RH BOX	9.50	1	267.77
6RG-04A	PACK OFF HOUSING 1" NPT H/C	8.50	1	286.83
6RG-05	PACKING SET WITH MALE ADAPTER	.50	2	28.98 set
6RG-05-FA-S	PACKING SEAT RING, <i>STEEL</i>	.25	Option	42.81 ea
6RG-26	BEARINGS	2.30	2	36.09 ea
6RG-325	RETAINER, PACKING	.10	2	6.10 ea
6RG-354	RETAINER, BEARING	.10	2	7.69 ea

Other sizes of connections available, please consult factory.

Option for above swivel, may affect pricing of complete swivel. Other options available, please consult factory



# SIDE INLETS “SPECIAL SWIVEL” 12RG



- Manufactured from high grade alloy steel
- Working Pressures to 750 PSI
- Radial Ball Bearings for smooth rotation
- Non adjustable chevron (V-ring) packing
- Grease Lubricated
- Can be used for both mud and air drilling
- Can be repaired if necessary in the field

### TECHNICAL DATA

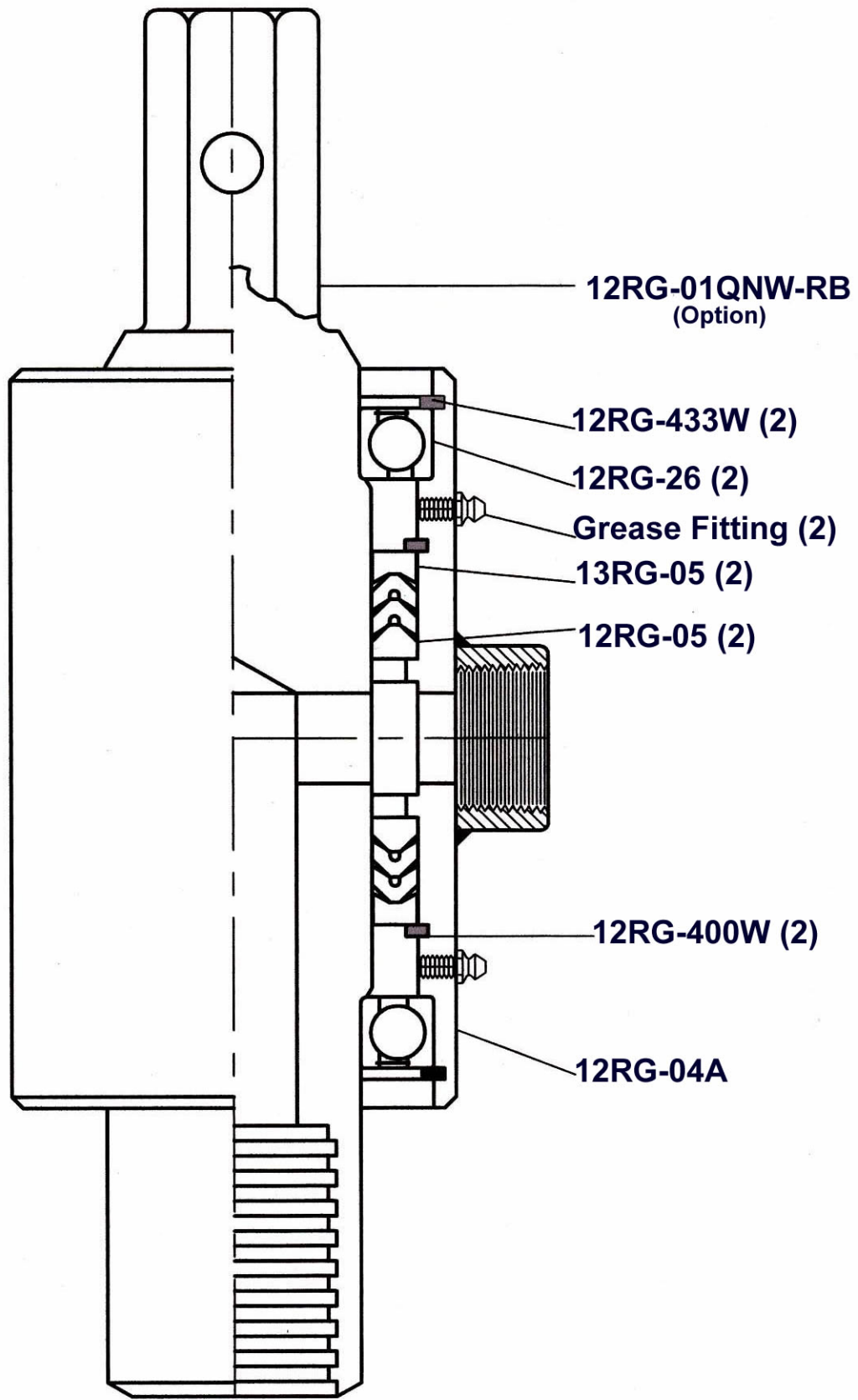
MODEL#	OVERALL LENGTH	WIDTH	WEIGHT LBS.	UPPER	HOSE CONN.	LOWER CONN.	WATERCOURSE CONN.
12RG	14-1/16"	5"	35.0	1-5/8" OR 2" HEX	1-1/4"	NW BOX	1-1/4"

### PARTS LIST

PART NO.	DESCRIPTION	QTY REQ.	WT/LBS EACH	PRICE
<b>12RG-4015-XX</b>	WESTERN SIDE INLET SWIVEL 1 5/8" OR 2" MALE HEX TOP CONNECTION, 1 1/4" NPT FEMALE HOSE CONNECTION, WITH NW RH BOX OR NWJ RHP IN LOWER CONNECTION			972.79
	ADD FOR "SPECIAL STEM"			275.00
12RG-01QNW-RB	STEM, 1-5/8" HEX BY NW RH BOX	1	16.50	475.81
12RG-01RNW-RB	STEM, 2" MALE HEX BY NW RH BOX	OPTION	18.50	475.81
12RG-01QNWJ-RP	STEM, 1 5/8" MALE HEX BY NWJ RH PIN	OPTION	17.50	475.81
12RG-01RNWJ-RP	STEM, 2" MALE HEX BY NWJ RH PIN	OPTION	19.50	475.81
12RG-04	PACKOFF HOUSING	1	14.50	361.17
12RG-05	PACKING SET	2	.50	29.01 set
12RG-26	BEARINGS	2	2.50	57.07 ea
12RG-400W	RETAINER, PACKING	2	.10	11.92 ea
12RG-433W	RETAINER, BEARING	2	.10	13.82 ea
13RG-05	RING, PACKING SEAT	2	.30	79.36

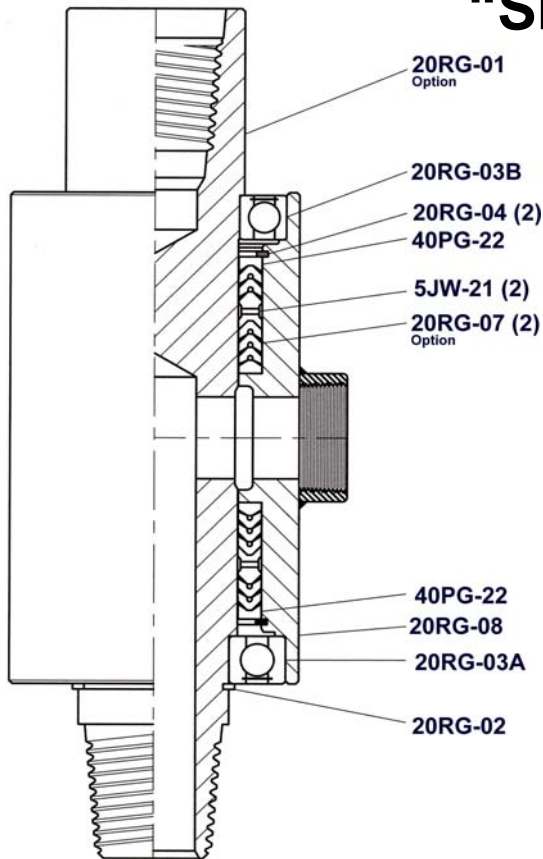
Other sizes of connections available, please consult factory.

Option for above swivel, may affect pricing of complete swivel. Other options available, please consult factory.



# SIDE INLETS "SPECIAL SWIVEL"

## 20RG



- Three (3) sizes for proper watercourse and torque selection
- Manufactured from a high grade alloy steel
- WORKING PRESSURES TO 2000 PSI
- Can be used for mud and air drilling
- Proven CHEVRON PACKING, V-Ring
- Radial sealed ball bearing for smooth rotation
- Can be repaired if necessary in the field.
- Large selection of top and bottom connections
- 20RG can be provided with an AUGER DRIVE CAP.

### TECHNICAL DATA

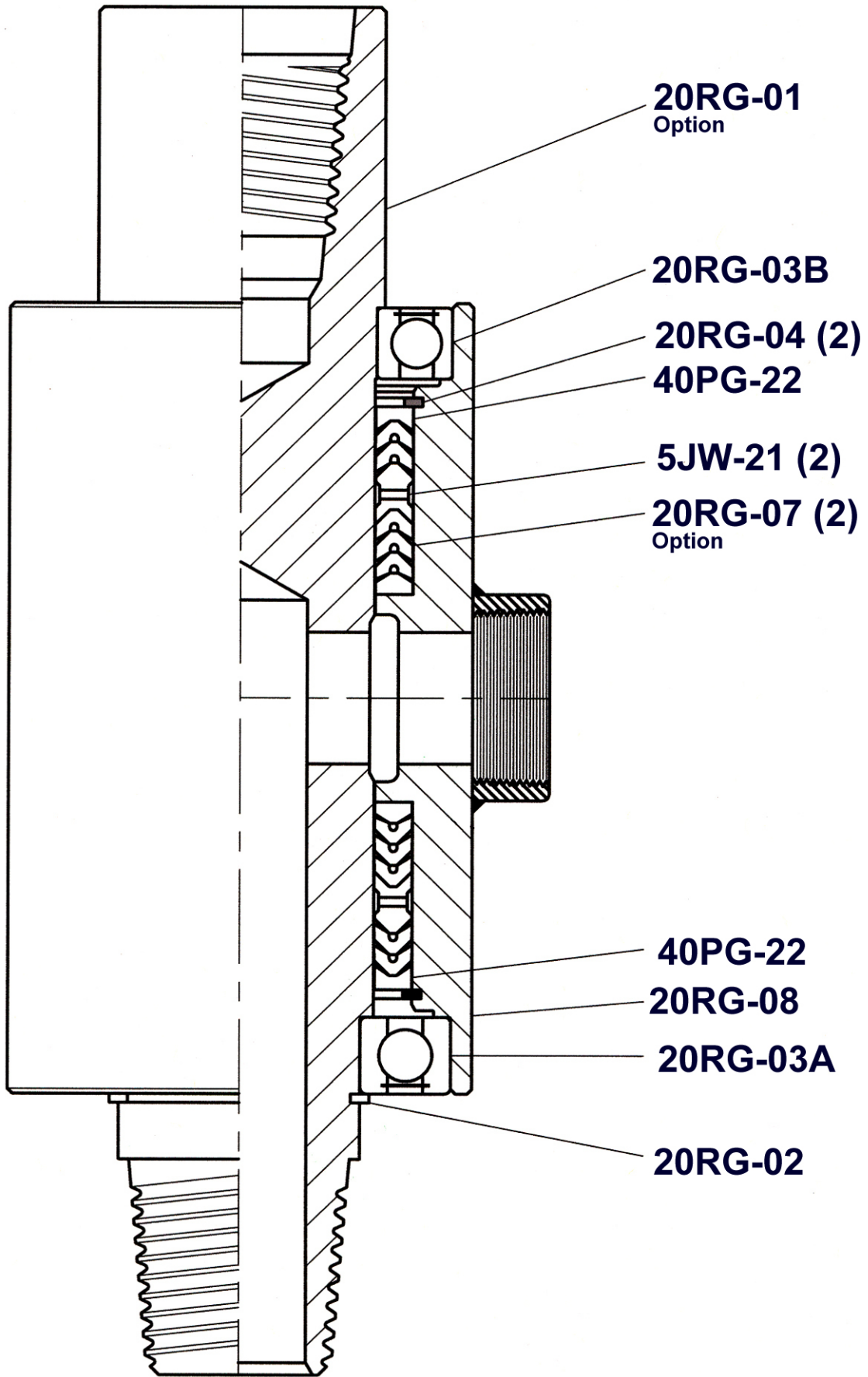
MODEL#	OVERALL LENGTH	WIDTH	WEIGHT LBS.	UPPER* CONN.	HOSE CONN.	LOWER* CONN.	WATER COURSE
20RG	21"	6"	75	1-5/8" OR 2"	2"	2-3/8" IF	1-3/4"
						2-7/8" IF	2"

### PARTS LIST

PART NO.	DESCRIPTION	QTY REQ.	WT/LBS EACH	PRICE
<b>20RG-4030-XX</b>	WESTERN SIDE INLET SWIVEL, 1 5/8" OR 2" MALE HEX TOP CONNECTION, 2" NPT FEMALE HOSE CONNECTION, WITH 2 3/8" OR 2 7/8" IF RH PIN LOWER CONNECTION			1717.61
	ADD FOR "SPECIAL STEM" OR DRILLING FOR DRIVE CAP			275.00
	ADD FOR "DRIVE CAP ADAPTER"			242.90
20RG-01QFE-RP	SHAFT, 1 5/8" MALE HEX BY 2 3/8" IF RH PIN	OPTION**	32.00	1308.97
20RG-01RFE-RP	SHAFT, 2" MALE HEX BY 2 3/8" IF RH PIN	OPTION**	35.00	1308.97
20RG-01QGE-RP	SHAFT, 1 5/8" MALE HEX BY 2 7/8" IF RH PIN	OPTION**	35.00	1308.97
20RG-01RGE-RP	SHAFT, 2" MALE HEX BY 2 7/8" IF RH PIN	OPTION**	38.00	1308.97
20RG-01RGE-RPPC	SHAFT, 2" MALE HEX BY 2 7/8" IF RH PIN (FOR DRIVE CAP ADAPTER)	OPTION**	38.00	1583.97
20RG-02	RETAINER, BEARING	1	.10	11.48 ea
20RG-03A	BEARING, TOP	1	2.60	135.24
20RG-03B	BEARING, BOTTOM	1	2.60	135.24
20RG-04	RETAINER, PACKING	2	.10	16.46 ea
20RG-07	PACKING SET WITH MALE ADAPTER	2	.60	55.70 set
20RG-07-416	PACKING SET (LOW PRESSURE) WITH MALE ADAPTER	OPTION	.60	81.79 set
20RG-08A	PACKOFF HOUSING, 2" NPT FEMALE	1	28.00	680.84
20RG-45	DRIVE CAP ADAPTER	OPTION	8.00	242.90
40PG-22	SEAT RING, PACKING	2	.40	79.36 ea
5JW-21	LANTERN RING	2	.50	112.89 ea

Other sizes of connections available, please consult factory.

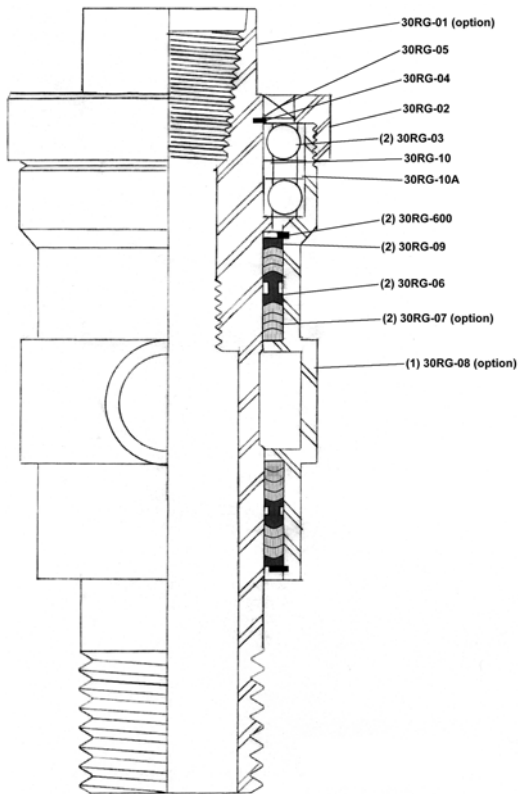
Option for above swivel, may affect pricing of complete swivel. Other options available, please consult factory.



# SIDE INLET SWIVEL

## 30RG SPECIAL SWIVEL

### Obsolete – Parts Only



- Can be used to increase fluid passage, maximum of 2-1/2" ID
- Models for both WATER WELL and MINERAL EXPLORATION drilling
- Can be used for both air and mud rotary drilling
- Sealed radial ball bearings for smooth rotation
- Non adjustable Chevron (V-ring) packing, grease lubricated
- Compact design
- Can be easily repaired in the field if necessary
- Available with numerous thread forms and sizes

#### TECHNICAL DATA

OVERALL LENGTH	WIDTH	TOP* CONN.	HOSE CONN.	LOWER* CONN	WATERCOURSE	WT/LB
21"	8"	3-1/2" REG BOX	2-1/2"	3-1/2" IF PIN	2-1/2"	150
21"	8"	3-1/2" REG BOX	2-1/2"	3-1/2" REG PIN	1-1/2"	150

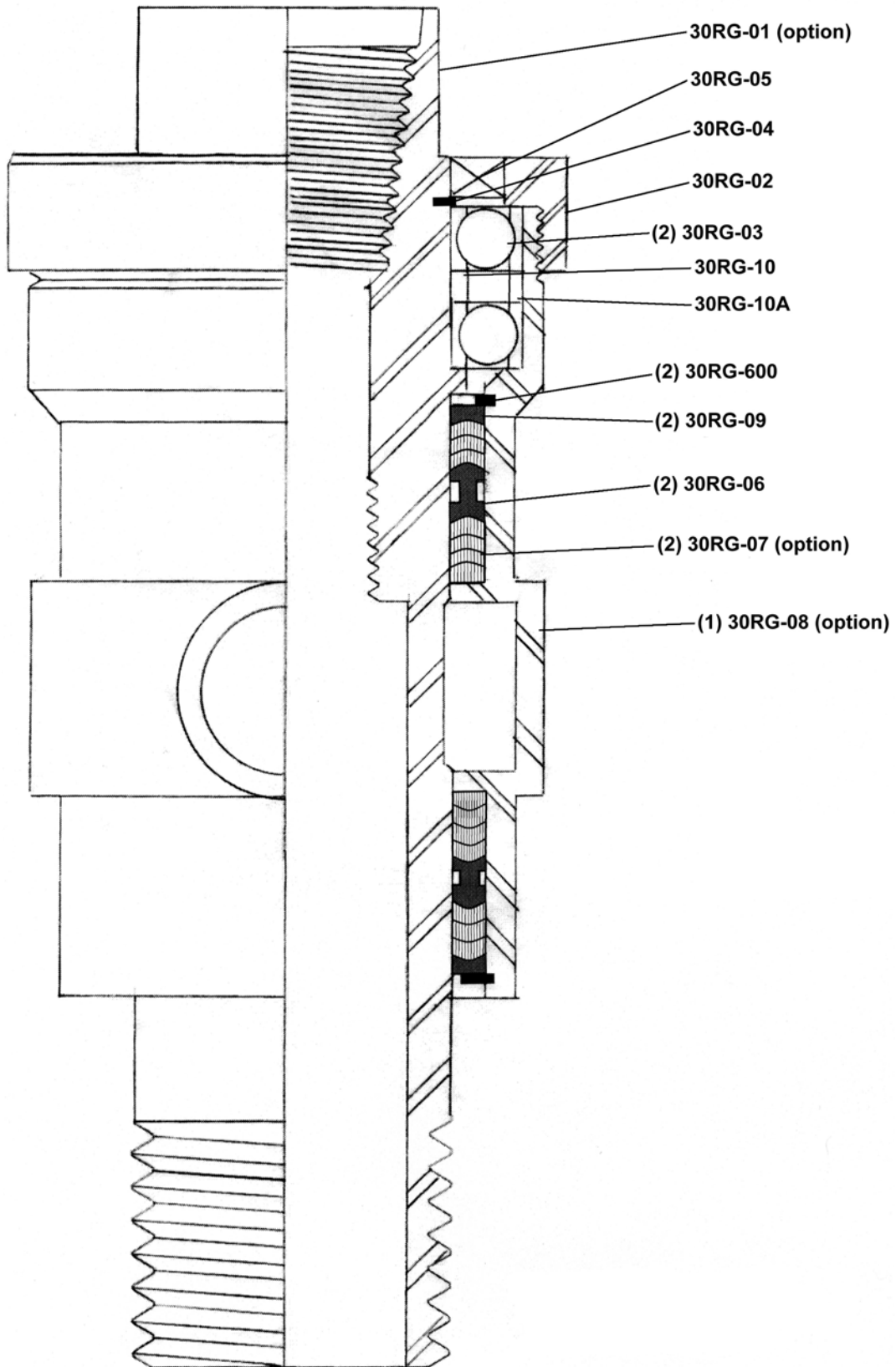
#### PARTS LIST

PART NUMBER	NAME	NUMBER REQ	WT/LBS EACH	RECOMMENDED SPARES FOR (1) YEAR	PRICE
<b>30RG-4040-XX</b>	WESTERN SIDE INLET	<b>NOT AVAILABLE</b>			Consult
30RG-01	SHAFT**	1	95.00	----	Consult
30RG-02	BEARING CAP	1	12.00	----	Consult
30RG-03	BEARINGS	2	3.50	2	265.09 ea
30RG-04	BEARING RETAINER	1	.10	1	65.33
30RG-05	GREASE SEAL	1	.30	1	134.18
30RG-06	LANTERN RING	2	.70	----	111.61 ea
30RG-07	PACKING SET WITH MALE ADAPTER	2	.70	2	94.06 set
30RG-07-416	PACKING SET W/MALE ADAPTER (LOW PRESSURE)	OPTION	.70	----	94.06 set
30RG-08A	PACK OFF HOUSING, 2 1/2" NPT FEMALE HOSE CONNECTION	1	40.00	----	Consult
30RG-09	PACKING SEAT RING	2	.50	----	128.92 ea
30RG-10	BEARING SPACER, INNER	1	1.00	----	81.55
30RG-10A	BEARING SPACER, OUTER	1	1.00	----	81.55
30RG-600	PACKING RETAINER	2	.10	2	41.30 ea

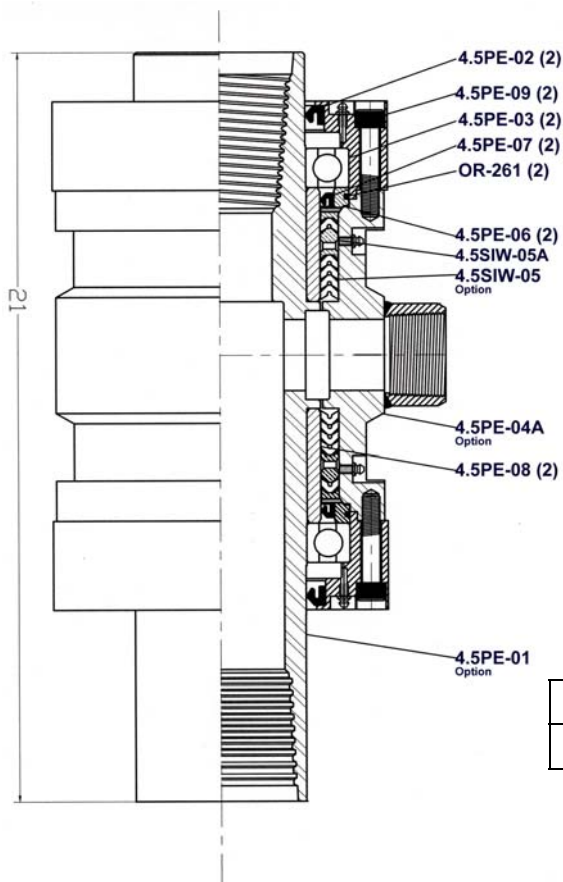
Other sizes of connections available, please consult factory.

Option for above swivel, may affect pricing of complete swivel. Other options available, please consult factory.





## 4.5PE Side Inlet Swivel



- Fluid Passage
- Replaceable Wearsleeves
- Superior Shaft Alignment
- Sealed Bearing Cases
- Working Pressures to 1500 PSI with optional packing.
- Simple Bolt Together Design

### TECHNICAL DATA

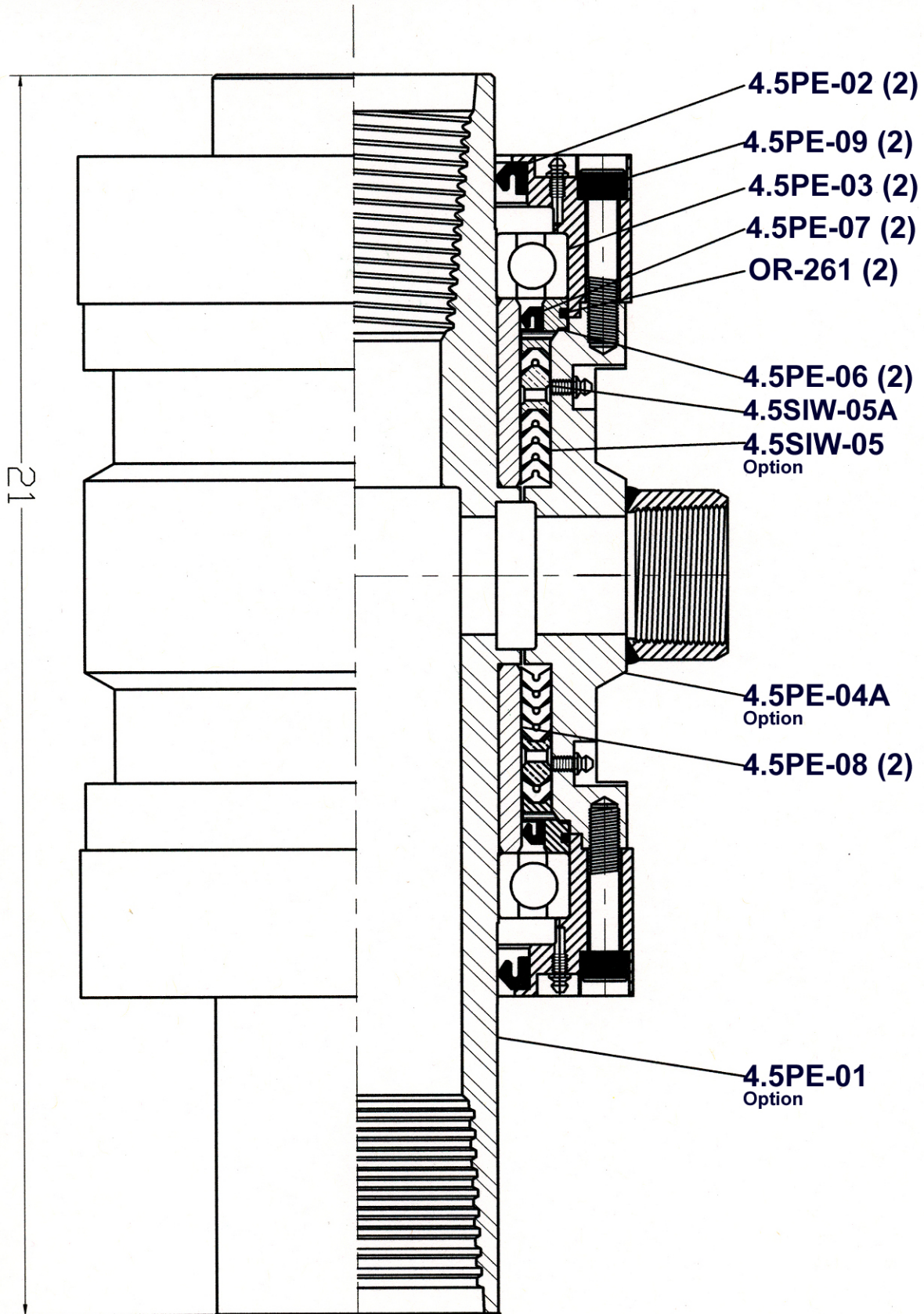
LENGTH	WIDTH	WEIGHT	HOSE CONN.	UPPER CONN.	LOWER CONN.	WATERCOURSE	WORKING PRESSURE
19 ¼ Shoulder	9	215	2 ½	3 ½ Reg Box	3 ½ IF Pin	2 ½	To 1500 PSI

### PARTS LIST

PART NUMBER	NAME	NUMBER REQ.	PRICE
<b>4.5PE-4700-XX</b>	SIDE INLET SWIVEL, 3 ½" REG. RH BOX UPPER CONNECTION, 2 ½" NPT FEMALE HOSE CONNECTION, WITH 3 ½" IF RH PIN LOWER CONNECTION		5113.33
	ADD FOR SPECIAL STEM OR 4 1/8" DI-31 RH BOX		400.00
4.5PE-01A**	STEM, 3 ½" REG RH BOX BY 3 ½" IF RH PIN	1	2759.10
4.5PE-01F**	STEM, 3 ½" IF RH BOX BY 4 1/8" DI-31 RH BOX	OPTION	3159.10
4.5PE-02	OUTER SEAL	2	43.10 ea
4.5PE-03	BEARING	2	205.91 ea
4.5PE-04A	PACKOFF BOX, 2 ½" NPT FEMALE HOSE CONNECTION	OPTION	1843.49
4.5PE-06	TOP GLAND	2	388.85 ea
4.5PE-07	INNER HOUSING SEAL	2	63.77 ea
4.5PE-08	WEAR SLEEVE	2	275.21 ea
4.5PE-09	BEARING HOUSING	2	552.97 ea
4.5SIW-05	PACKING SET	2	91.58 set
4.5SIW-05-LOW	PACKING SET (10 TO 125 PSI)	OPTION	91.58 set
4.5SIW-05-417	PACKING SET, HIGH PRESURE	OPTION	94.06 set
4.5SIW-05A	LANTERN RING	2	134.18 ea
OR-261	O-RING (TOP GLAND)	2	4.00 ea

Other sizes of connections available, please consult factory.

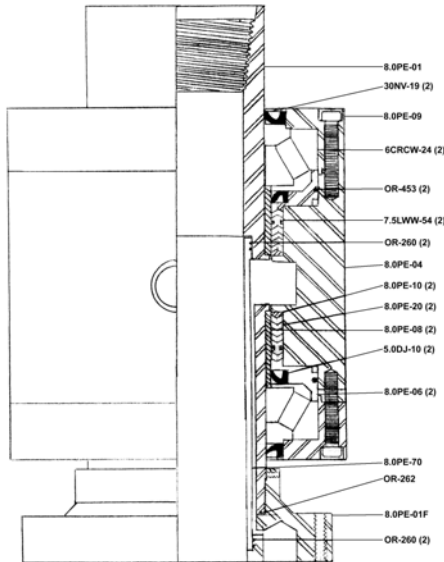
Option for above swivel, may affect pricing of complete swivel. Other options available, please consult factory.



**COMING SOON:**

**5.0PE**

## 8.0PE SIDE INLET “SPECIAL SWIVEL”



- 6" Fluid passage
- Can be used for internal and external air lines
- For air-lift drilling but adaptable for all forms of drilling
- Large capacity tapered roller bearings for stem stability
- Grease lubricated packing and bearings
- Sealed bearing case

### TECHNICAL DATA

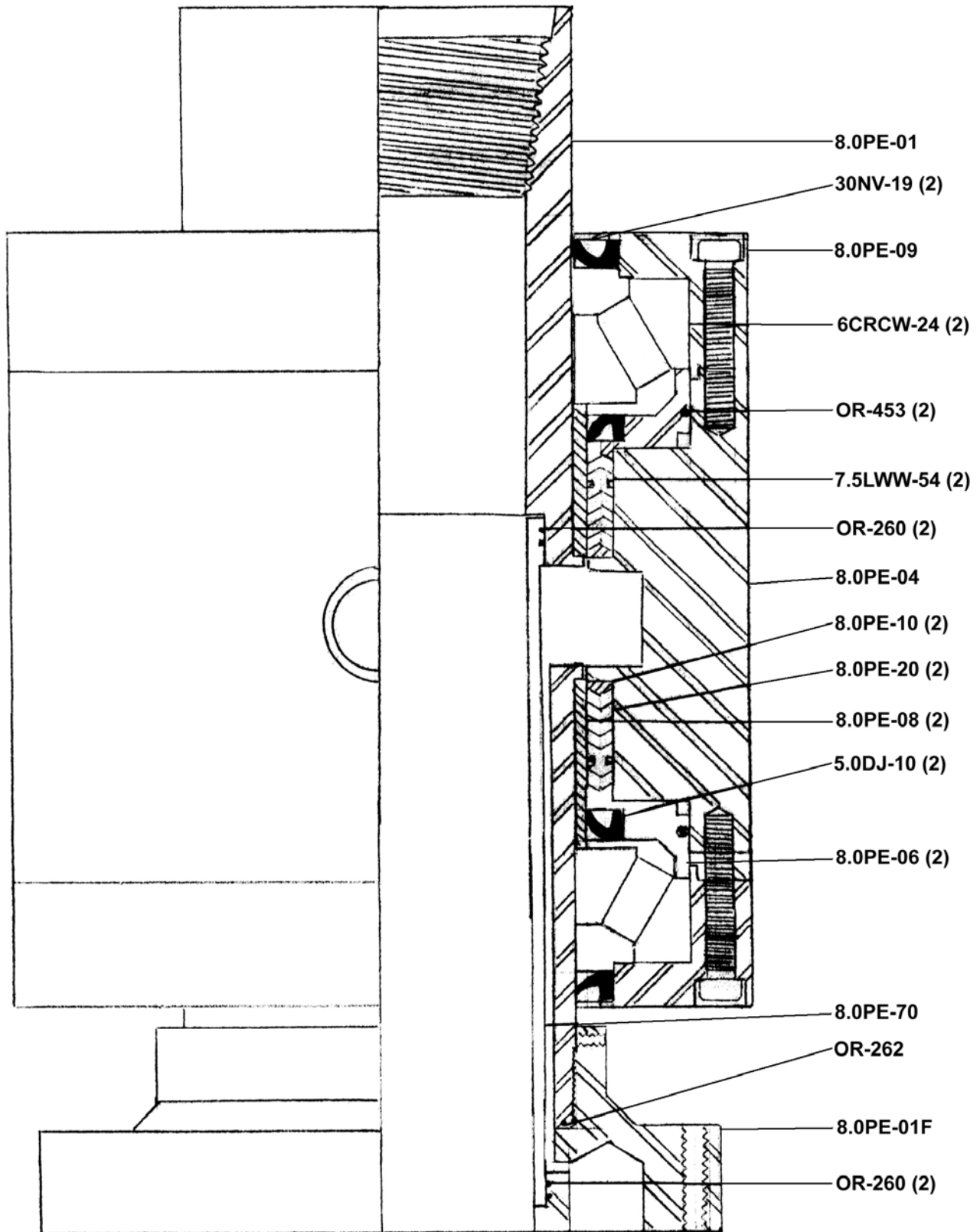
LENGTH	WIDTH	WEIGHT	UPPER CONN.	HOSE CONN.	LOWER CONN.	FLUID PASSAGE	WORKING PRESSURE
28"	14 1/2"		OPTION	TO 6"	OPTION	MAX 6"	TO 1000 PSI

### PARTS LIST

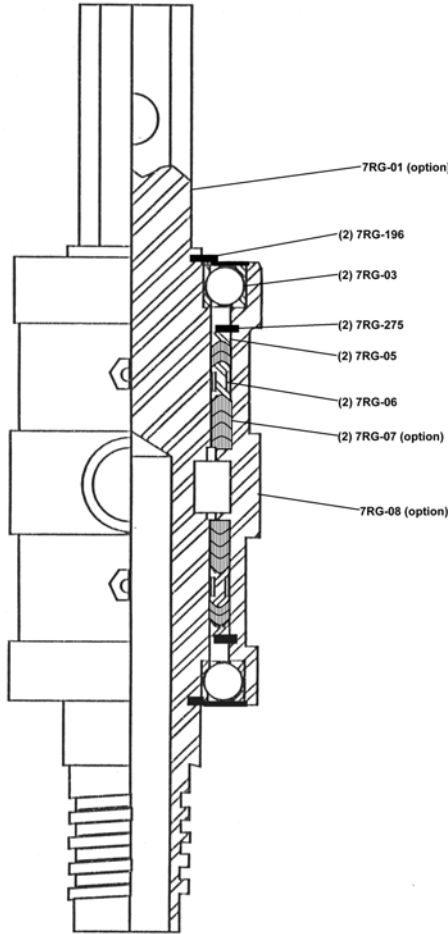
PART NUMBER	DESCRIPTION	NUMBER REQ.	PRICE
<b>8.0PE-4075-XX</b>	WESTERN SIDE INLET, 6" ID FLUID PASSAGE, TO 8" OD "CUSTOMER" SPECIFIED UPPER CONNECTION, 2" NPT FEMALE HOSE CONNECTION, WITH "CUSTOMER" SPECIFIED FLANGED LOWER CONNECTION		19,312.18
8.0PE-01	STEM, 6WC LH BOX BY SPECIAL PIN	1	4086.25
8.0PE-01F-X	LOWER FLANGE	1	3410.66
8.0PE-04	PACKOFF HOUSING	1	4362.03
8.0PE-06	PACKING GLAND	2	1205.08 ea
8.0PE-08	WEAR SLEEVE	2	955.75 ea
8.0PE-09	BEARING HOUSING	2	1442.17
8.0PE-10	PACKING SEAT RING	2	129.72 ea
8.0PE-20	PACKING SET	2	127.47 set
8.0PE-70	INNERTUBE	1	925.62
6CRCW-24	BEARINGS (CUP AND CONE)	2	CONSULT
30NV-19	SEAL	2	135.33 ea
7.5LWW-54	LANTERN RING	2	300.23 ea
5.0DJ-10	SEAL	2	126.73
OR-453	O RING	2	4.00 ea
OR-260	O RING	4	4.00 ea
OR-262	O RING	1	4.00 ea

Other sizes of connections available, please consult factory.

Option for above swivel, may affect pricing of complete swivel. Other options available, please consult factory.



# SIDE INLETS “SPECIAL SWIVEL” 7RG



- Manufactured from a high grade alloy steel
- WORKING PRESSURES TO 2000 PSI
- Can be used for mud and air drilling
- Proven CHEVRON PACKING, V-Ring
- Radial sealed ball bearing for smooth rotation
- Can be repaired if necessary in the field.
- Large selection of top and bottom connections

## TECHNICAL DATA

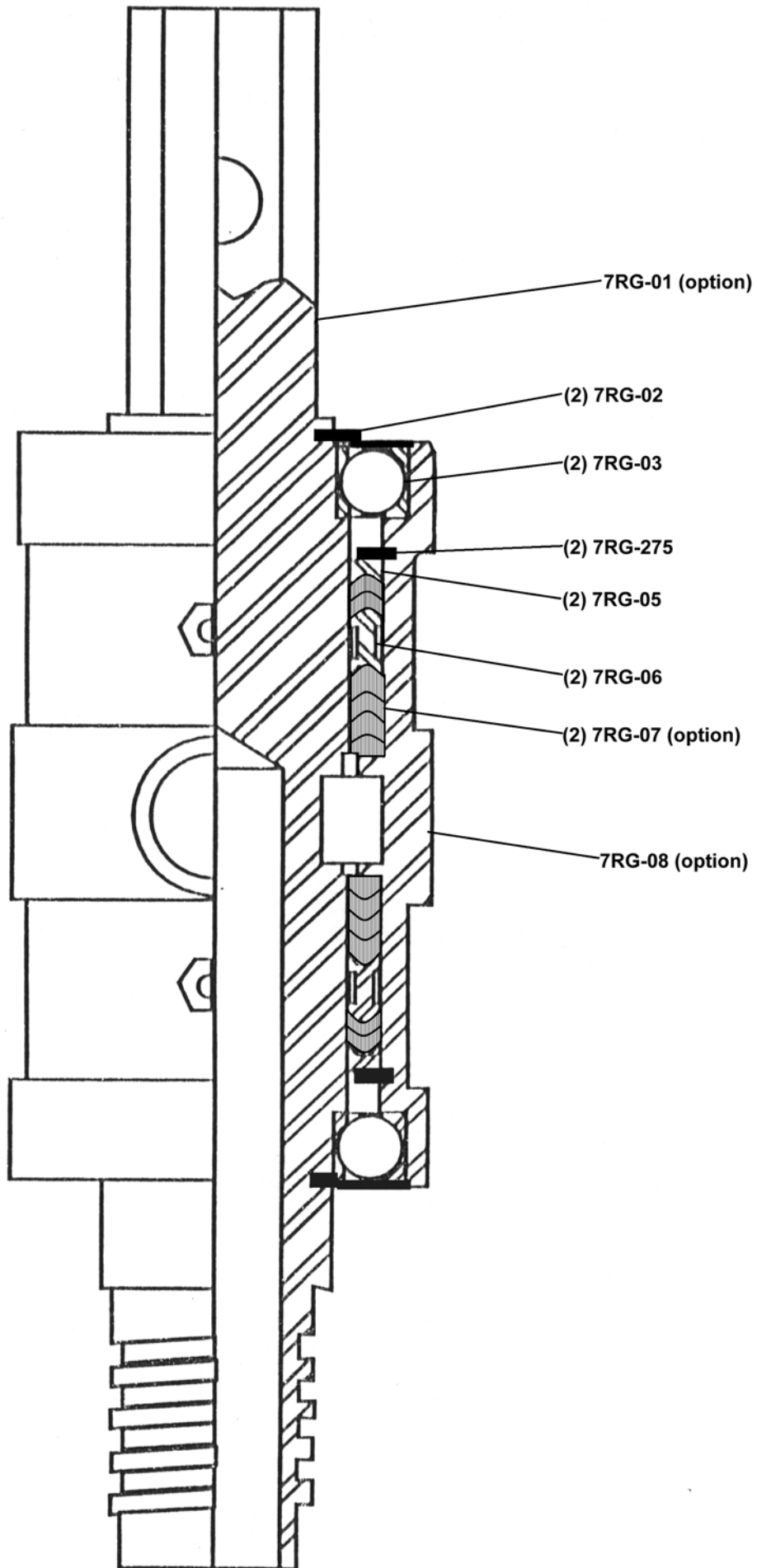
MODEL# LENGTH	OVERALL	WIDTH	WEIGHT LBS.	UPPER* CONN.	HOSE CONN.	LOWER * CONN.	WATER COURSE
7RG	12"	3-1/2"	15	1-5/8"	1"	AW PIN	5/8"

## PARTS LIST

PART NAME	DESCRIPTION	WT/LB EACH	QTY REQ	PRICE
<b>7RG-4010-XX</b>	WESTERN SIDE INLET, 1 5/8" MALE HEX TOP CONN., 1" NPT FEMALE HOSE CONNECTION WITH AWJ RH PIN LOWER CONNECTION			814.00
	ADD FOR "SPECIAL STEM"			275.00
7RG-01QAW-RP	STEM, 1 5/8" MALE HEX BY AW RH PIN	9.00	1	731.27
7RG-01QAWJ-RP	STEM, 1 5/8" MALE HEX BY AWJ RH PIN	9.00	OPTION**	456.27
7RG-03	BEARINGS	.70	2	36.09 ea
7RG-05	SEAT RING, PACKING	.30	2	47.04 ea
7RG-06	LANTERN RING	.30	2	70.83 ea
7RG-07	PACKING SET W/MALE ADAPTER	.40	2	39.98 set
7RG-07-416	PACKING SET (LOW PRESSURE) W/ MALE ADAPTER	.40	OPTION	61.97 set
7RG-08A	PACKOFF BOX, 1" NPT FEMALE	6.00	1	328.25
7RG-02	RETAINER, BEARING	.10	2	2.18 ea
7RG-275	RETAINER, PACKING	.10	2	4.87 ea

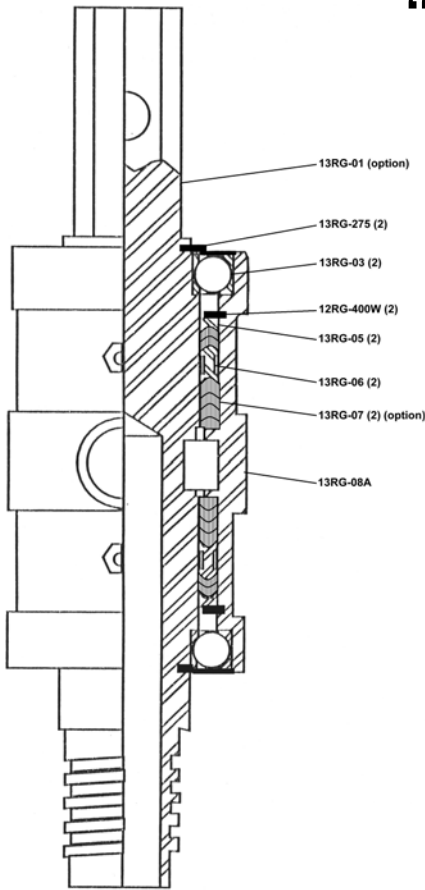
Other sizes of connections available, please consult factory.

Option for above swivel, may affect pricing of complete swivel. Other options available, please consult factory.





# SIDE INLETS “SPECIAL SWIVEL” 13RG



- Manufactured from a high grade alloy steel
- WORKING PRESSURES TO 2000 PSI
- Can be used for mud and air drilling
- Proven CHEVRON PACKING, V-Ring
- Radial sealed ball bearing for smooth rotation
- Can be repaired if necessary in the field.
- Large selection of top and bottom connections
- Grease lubricated bearings and packing

### TECHNICAL DATA

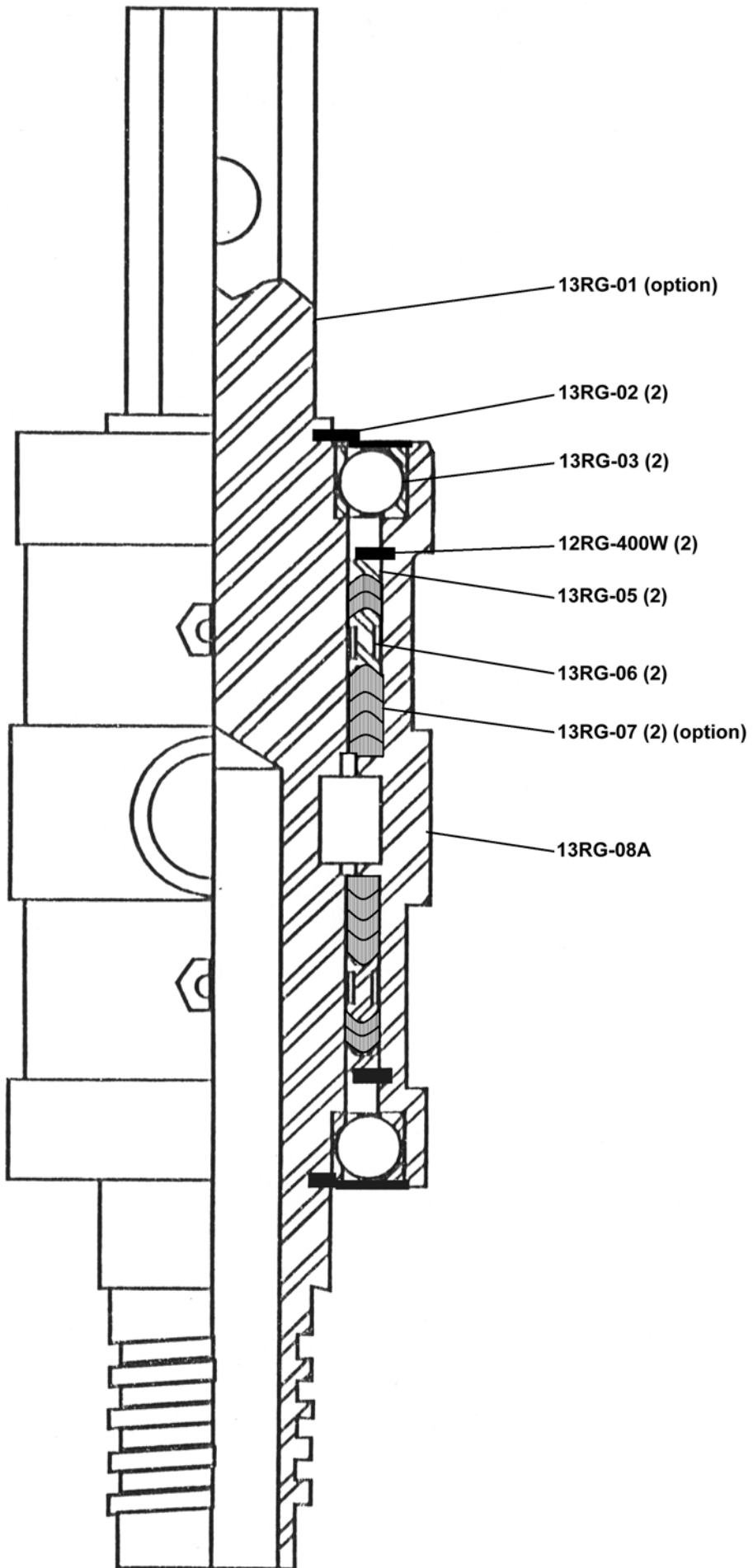
MODEL# LENGTH	OVERALL	WIDTH	WEIGHT LBS.	UPPER* CONN.	HOSE CONN.	LOWER * CONN.	WATER COURSE
13RG	19"	5-1/2"	50	1-5/8" OR 2"	1-1/2"	NW PIN	1-3/8"
						NWJ PIN	1-3/8"

### PARTS LIST

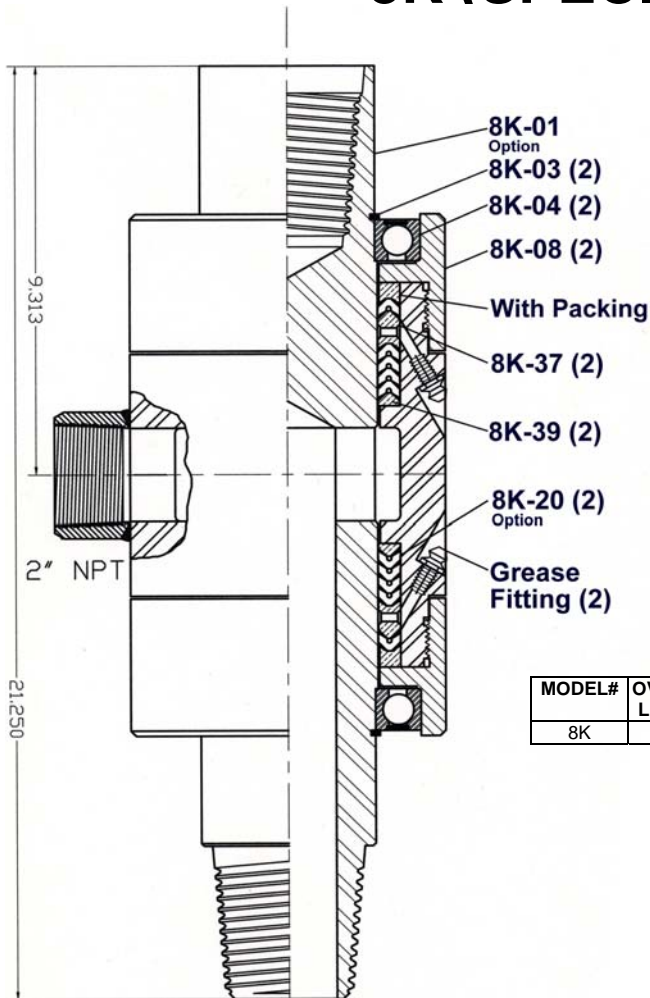
PART NO.	DESCRIPTION	QTY REQ.	WT/LBS EACH	PRICE
<b>13RG-4020-XX</b>	WESTERN SIDE INLET SWIVEL 1 5/8" OR 2" MALE HEX TOP CONNECTION, 1 1/2" NPT FEMALE HOSE CONNECTION, WITH NW ROD RH PIN OR NWJ RH PIN LOWER CONNECTION			1150.88
	ADD FOR "SPECIAL STEM"			275.00
13RG-01QNW-RR	STEM, 1 5/8" MALE HEX BY NW RH PIN	OPTION	24.50	565.77
13RG-01RNW-RP	STEM, 2" MALE HEX BY NW RH PIN	OPTION	24.50	565.77
13RG-01QNWJ-RP	STEM, 1 5/8" MALE HEX BY NWJ RH PIN	OPTION	24.50	565.77
13RG-01RNWJ-RP	STEM, 2" MALE HEX BY NWJ RH PIN	OPTION	24.50	565.77
13RG-03	BEARING	2	2.20	76.00 ea
13RG-05	SEAT RING, PACKING	2	.30	79.36 ea
13RG-06	LANTERN RING	2	.40	103.75 ea
13RG-07	PACKING SET WITH MALE ADAPTER	2	.50	44.24 set
13RG-07-416	PACKING SET (LOW PRESSURE) WITH MALE ADAPTER	OPTION	.50	68.64 set
13RG-08A	PACKOFF HOUSING, 1 1/2" NPT FEMALE	1	19.00	662.13
13RG-02	RETAINER, BEARING	2	.10	4.76 ea
12RG-400W	RETAINER, PACKING	2	.10	11.92 ea

Other sizes of connections available, please consult factory.

Option for above swivel, may affect pricing of complete swivel. Other options available, please consult factory.



## 8K (SPECIAL SWIVEL)



- 6,000 PSI Working Pressure
- For High Pressure grouting
- Compact design
- Sealed Radial Ball Bearings for smooth rotation
- Non Adjustable grease lubricated Chevron (V-Ring) packing
- 2" Watercourse
- Numerous applications in the directional drilling market

### TECHNICAL DATA

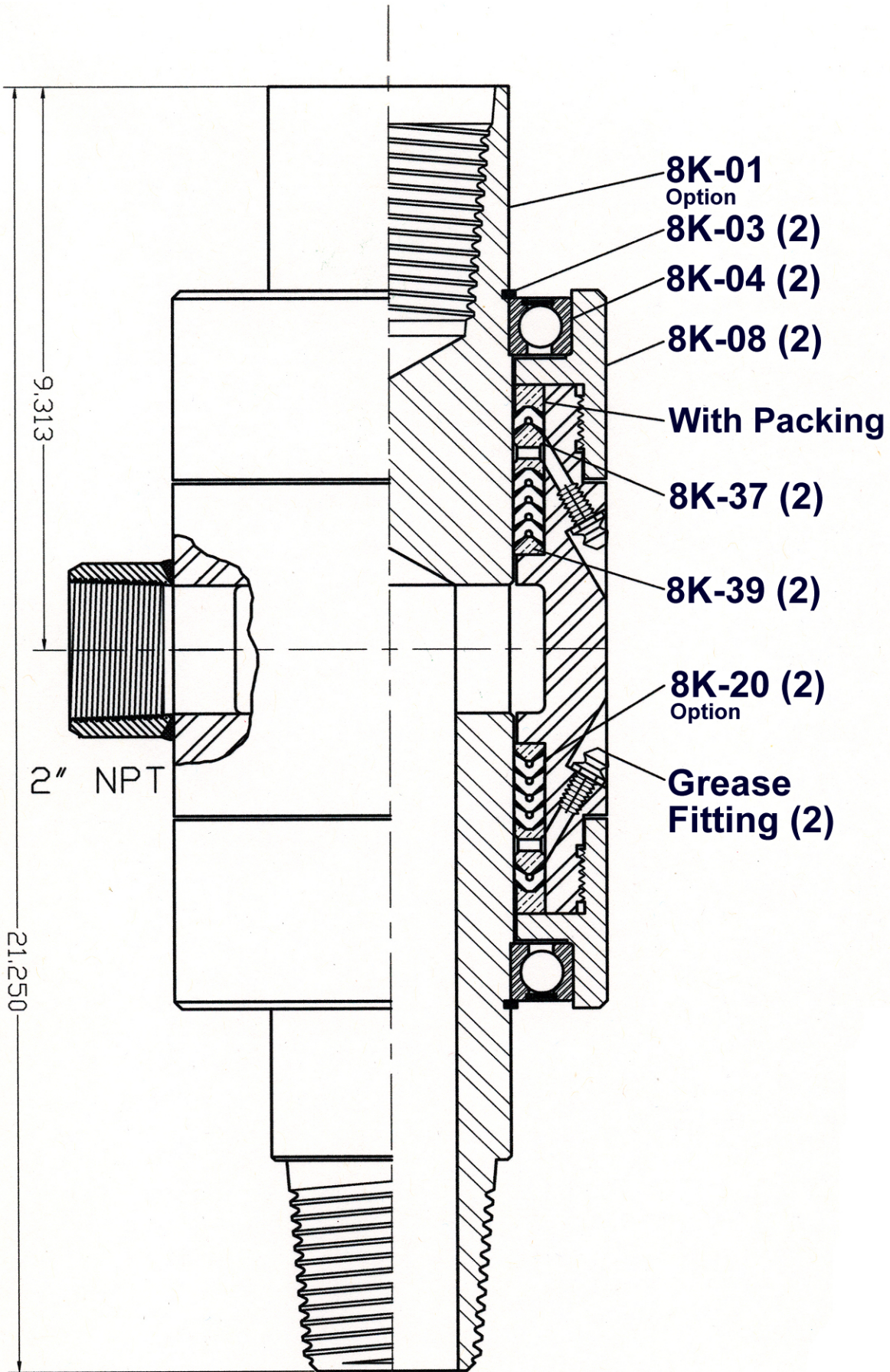
MODEL#	OVERALL LENGTH	WIDTH	WEIGHT LBS.	UPPER* CONN.	HOSE CONN.	LOWER* CONN.	WATER COURSE	WORKING PRESSURE
8K	24 1/4"	8"		2 7/8" IF	2"	2 7/8" IF	2"	6000 PSI

### PARTS LIST

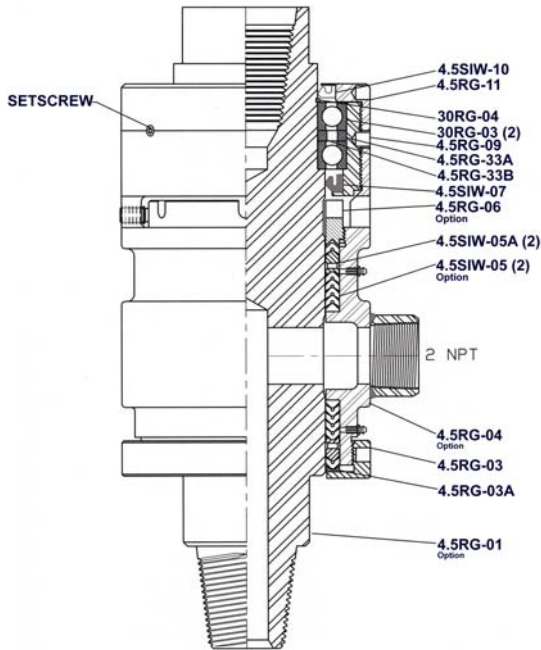
PART NO.	DESCRIPTION	QTY. REQ.	PRICE
<b>8K-SPECIAL</b>	SPECIAL SIDE INLET SWIVEL, 8K W. P., 2 7/8" IF RH BOX UPPER CONNECTION, 2" FEMALE HOSE CONNECTION, WITH 2 7/8" IF RH PIN LOWER CONNECTION		4254.74
8K-01	SHAFT – 2 7/8" IF RH BOX BY PIN	1	1700.62
8K-02	PACKOFF BOX 2" NPT FEMALE HOSE CONNECTION	1	2115.55
8K-03	BEARING RETAINER	2	24.16
8K-04	BEARING	2	164.90
8K-08	BEARING HOUSING	2	408.68
8K-08A	SET SCREW, BEARING HOUSING	2	2.97
8K-20	PACKING SET WITH MALE ADAPTER (LOWER PRESSURE)	OPTION	85.04 set
8K-20HP	PACKING SET (HIGH PRESSURE) WITH MALE ADAPTER	2	134.35 set
8K-37	LANTERN RING	2	131.09 ea
8K-39	PACKING SEAT RING	2	131.09 ea

Other sizes of connections available, please consult factory.

Option for above swivel, may affect pricing of complete swivel. Other options available, please consult factory.



## 4.5RG Side Inlet Swivel



- For Mud and Air Rotary work
- Used for DUAL TUBE drilling
- Compact design
- Sealed Bearing above packing assembly
- Alloy steel construction with hardened packing areas.
- Available with a large choice of thread sizes and forms
- Adjustable Chevron (V-Ring) packing, grease lubricated
- Can be repaired in the field when necessary.

### TECHNICAL DATA

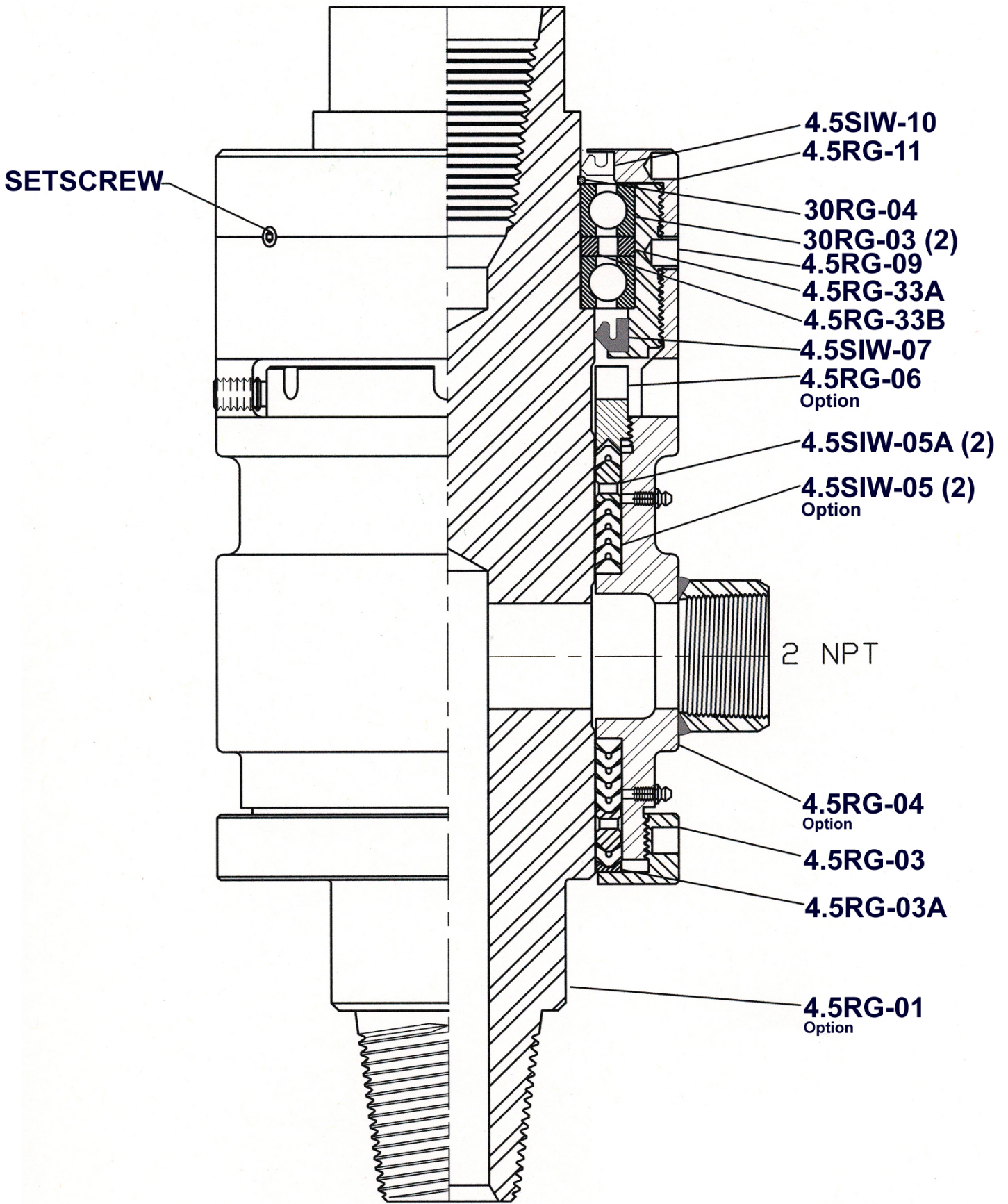
OVERALL LENGTH	WIDTH CONN.	TOP* CONN.	HOSE CONN.	LOWER* CONN.	WATERCOURSE	WT/LB.
22-3/4"	9"	3-1/2" REG.BOX	2"	3-1/2" REG. PIN	1-1/2"	230
22-3/4"	9"	3-1/2" REG.BOX	2-1/2"	3-1/2" IF PIN	2-1/2"	230
19-3/4"	9"	3-1/2" IF BOX	2-1/2"	4-1/8" DI-31 BOX	2"	215

### PARTS LIST

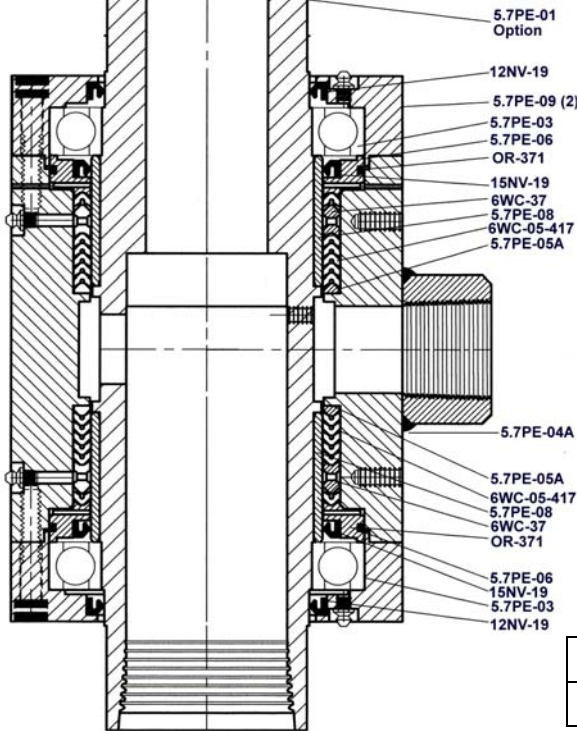
PART NUMBER	NAME	NUMBER REQ.	WT/LB EACH	SPARES ONE YEAR	PRICE
<b>4.5RG-4050-XX</b>	WESTERN SIDE INLET, 3 1/2" REG OR IF RH BOX UPPER CONNECTION, 2 OR 2 1/2 NPT FEMALE HOSE CONNECTION WITH 3 1/2" REG OR 3 1/2" IF RH PIN LOWER CONNECTION				5535.01
	ADD FOR 4 1/8" DI-31 RH BOX OR SPECIAL STEM				400.00
4.5RG-01A	STEM, 3-1/2" REG BOX BY 3-1/2" IF PIN	OPTION	110.00		2759.10
4.5RG-01B	STEM, 3-1/2" REG BOX BY 3-1/2" REG PIN	OPTION	105.00		2759.10
4.5RG-01C	STEM, 3 1/2" IF RH BOX BY 4 1/8" DI-31 RH BOX	OPTION	105.00		3159.10
4.5RG-03	LOWER ADJUSTING GLAND	1	4.00		479.76
4.5RG-03A	LOWER SEAT RING	1	.75	2	128.92
4.5RG-04A	PACKOFF HOUSING, 2" NPT FEMALE	1	45.00		1552.26
4.5SIW-05	PACKING SET	2	.75	8	91.58 set
4.5SIW-05-LOW	PACKING SET (10 to 125 PSI)	OPTION	.75		91.58 set
4.5SIW-05-417	PACKING SET (HIGH PRESSURE)	OPTION	.75		94.06 set
4.5SIW-05A	LANTERN RING	2	.75	2	134.18 ea
4.5RG-06	UPPER ADJUSTING NUT	1	4.00		391.70
4.5SIW-07	LOWER HOUSING SEAL	1	.50	2	65.33 ea
4.5RG-09	BEARING HOUSING	1	20.00		888.48
4.5SIW-10	UPPER HOUSING SEAL	1	.50	2	51.55 ea
4.5RG-11	CAP, BEARING HOUSING	1	5.00		464.74
30RG-04	RETAINER, BEARING	1	.10	1	23.52
30RG-03	BEARINGS	2	8.00	2	265.09 ea
4.5RG-33	SPACER, BEARINGS, INNER	1	1.00		81.55
4.5RG-33A	SPACER, BEARING, OUTER	1	1.00		81.55

Other sizes of connections available, please consult factory.

Option for above swivel, may affect pricing of complete swivel. Other options available, please consult factory.



# Side Inlet Special Swivel 5.7PE



- Alloy Steel Construction
- Simple Bolt Together Design
- Angular Contact Ball Bearings on Each End for Maximum Shaft Alignment
- Grease Lubricated Packing & Bearing
- Replaceable Packing Wear Sleeves
- Simple Field Maintenance
- For Conventional and Dual Tube Drilling

## TECHNICAL DATA

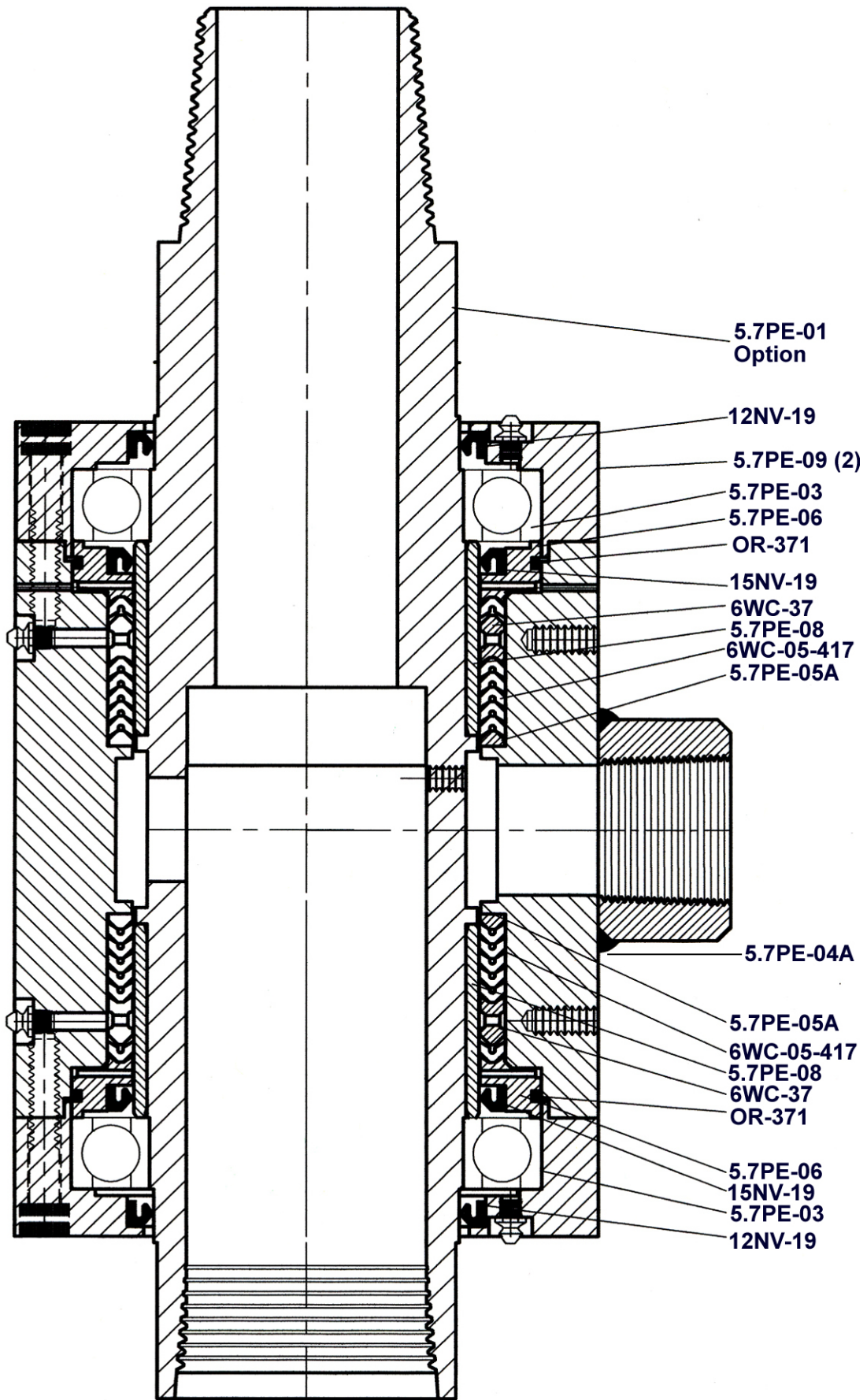
LENGTH	WIDTH	WEIGHT	HOSE CONN.	UPPER CONN.	LOWER CONN.	WATERCOURSE	WORKING PRESSURE
26 3/4"	11"		TO 3" NPT	4" IF	OPTION	TO 3 1/2"	TO 1500 PSI

## PARTS LIST

PART NUMBER	DESCRIPTION	NUMBER REQ.	PRICE
<b>5.7PE-4900-01</b>	SIDE INLET, 4" IF RH PIN UPPER CONNECTION, 2 1/2" NPT FEMALE HOSE CONNECTION WITH 5 1/2" CSR RH BOX LOWER CONNECTION, LESS AIR NEEDLE		9989.48
	ADD FOR "SPECIAL STEM"		500.00
12NV-19	LOWER OIL SEALS	2	62.04 ea
15NV-19	LOWER HOUSING SEALS	2	59.34 ea
5.7PE-011E-X**	STEM 4" IF RH PIN X 5 1/2" CSR RH BOX	OPTION	3440.91
5.7PE-03	BEARINGS	2	519.41
5.7PE-04A	PACKOFF HOUSING, 2 1/2" NPT FEMALE	1	2760.62
5.7PE-05A	BOTTOM PACKING GLAND	2	113.51 ea
5.7PE-06	TOP PACKING GLAND	2	614.93 ea
5.7PE-08	WEAR SLEEVE	2	302.96 ea
5.7PE-09	BEARING HOUSING	2	894.00 ea
6WC-05-417	PACKING SET, 417 HIGH PRESSURE	2	142.30 set
6WC-37	LANTERN RING	2	168.20 ea
OR-371	O'RING	2	4.00 ea

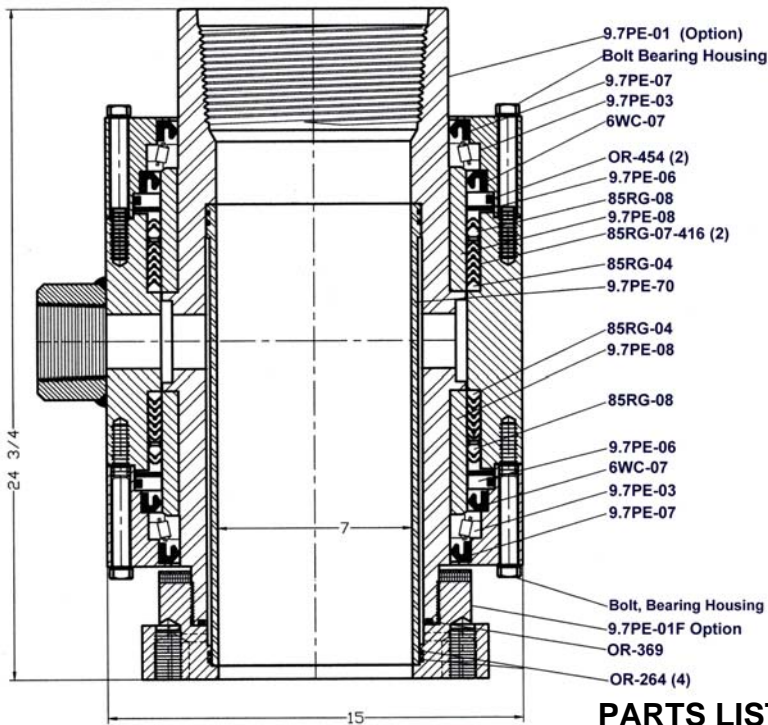
Other sizes of connections available, please consult factory.

Option for above swivel, may affect pricing of complete swivel. Other options available, please consult factory.





# Side Inlet Special Swivel 9.7PE



- Alloy Steel Construction
- Simple Bolt Together Design
- Large Capacity Tapered Roller Bearings
- Bearing On Each End for Maximum Shaft Alignment
- Grease Lubricated Packing & Bearing
- Replaceable Packing Wear Sleeves
- Simple Field Maintenance

## PARTS LIST

PART NUMBER	NAME	NUMBER REQ.	PRICE
<b>9.7PE-4810-01</b>	SPECIAL SIDE INLET 7-6WC LEFT HAND BOX UPPER CONN. 3" NPT FEMALE HOSE CONNECTION WITH 12 1/2" OD FLANGE LOWER CONNECTION WITH (2) EXT. AIR LINE PASSAGES		23,796.90
6WC-07	HOUSING SEALS	2	196.36 ea
85RG-04	LOWER SEAT RING	2	293.56 ea
85RG-06	LANTERN RING	2	366.95 ea
85RG-07-416	PACKING SET	2	256.95 set
9.7PE-01	STEM 7" MOD LH BOX BY SPECIAL PIN, LESS FLANGE	1	6438.54
9.7PE-01F	LOWER FLANGE	1	3870.66
9.7PE-03	BEARINGS	2	CONSULT
9.7PE-04	PACKOFF HOUSING	1	4384.88
9.7PE-06	PACKING GLAND	2	1205.08 ea
9.7PE-07	HOUSING SEALS	2	215.20 ea
9.7PE-08	WEAR SLEEVE	2	955.75 ea
9.7PE-09	BEARING HOUSING	2	2085.26 ea
9.7PE-70	INNERTUBE	1	1170.13
OR-264	O RING	4	4.00 ea
OR-369	O RING	1	4.00
OR-454	O RING	2	4.00 ea

Other sizes of connections available, please consult factory.

Option for above swivel, may affect pricing of complete swivel. Other options available, please consult factory.

