



WESTERN RUBBER AND MANUFACTURING SINCE 1977

Prices
Effective
May 15, 2008

Rotating Head

- | | | |
|----------|---------|---------|
| * 1.0CS | * 1JW | * 5.0DJ |
| * 5JW | * 3WRAM | * 2JW |
| * 10JW | * 1.0ES | * 4.0DJ |
| * 6JW | * 3DJ | * 4JW |
| * 1.0RHP | * 1.5JW | * 4.0HP |
| * 5BD | | |

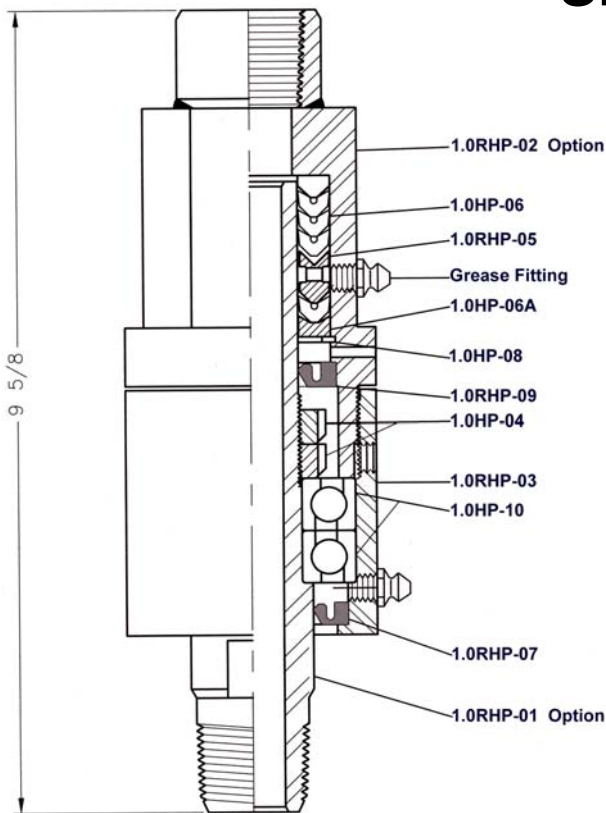
7015 Old Hwy 105 W.
Conroe, TX 77304
Office (936) 588-3033 Fax (936) 588-3132
Toll Free (800) 367-5285

"SERVING THE WATER, MONITORING & ENERGY INDUSTRIES"

COMING SOON:

1.0CS

1.0RHP “SPECIAL SWIVEL”



- Fluid Passage – 3/4”
- Compact Design
- Chevron (V-Ring) Packing – Grease Lubrication
- Thrust ball bearings for pressure and radial load support
- Choice of hose and lower connection thread
- Designed for easy field maintenance and repairs
- Working pressure to 2500 PSI

TECHNICAL DATA

LENGTH	WIDTH	WEIGHT	HOSE CONN.	LOWER CONN.	WATERCOURSE	WORKING PRESSURE
10	3	9 1/4”	1”	1”	3/4”	To 2500 PSI

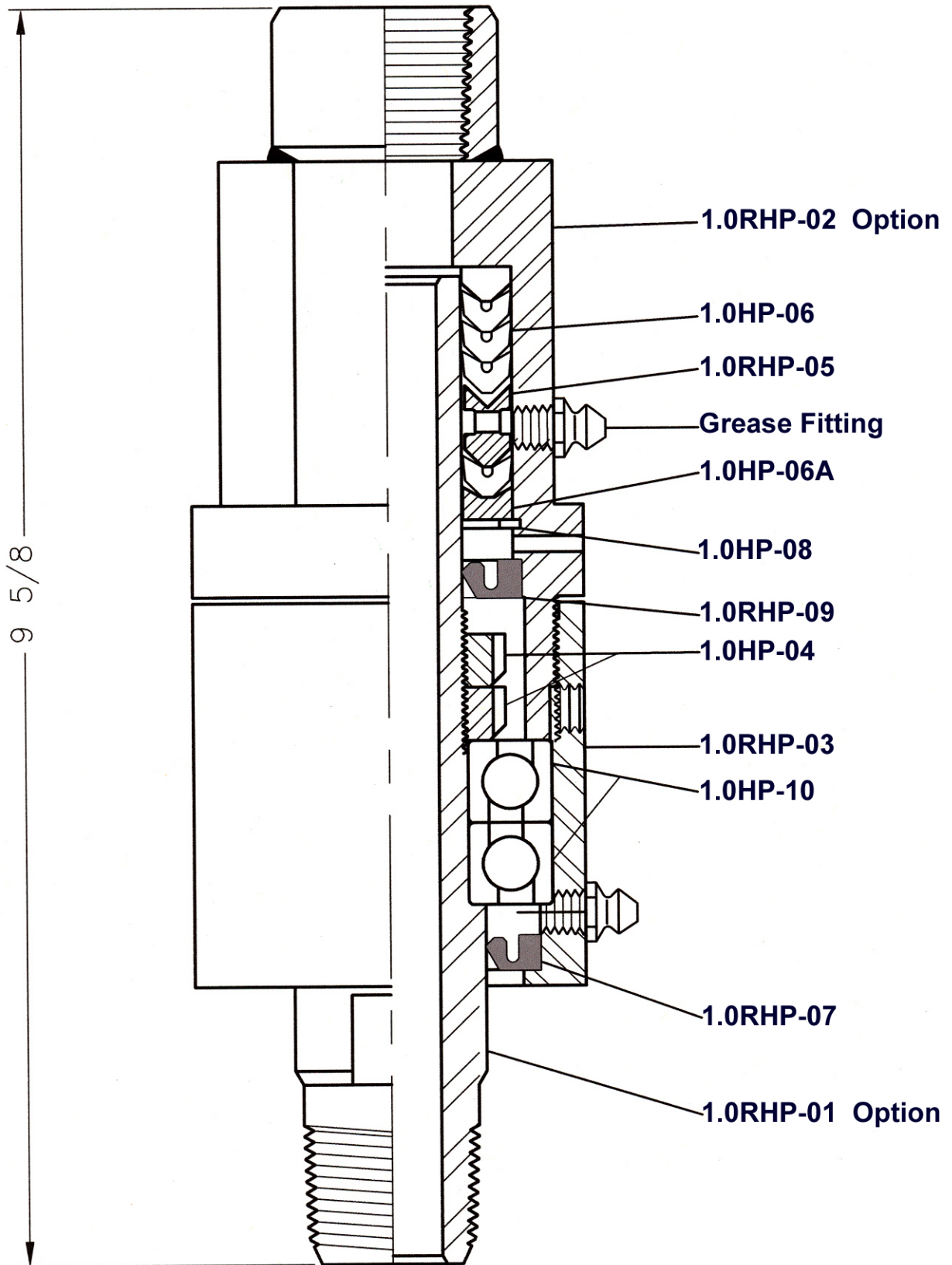
WEIGHT CAPACITY
DESIGNED FOR PRESSURE LOAD ONLY

PARTS LIST

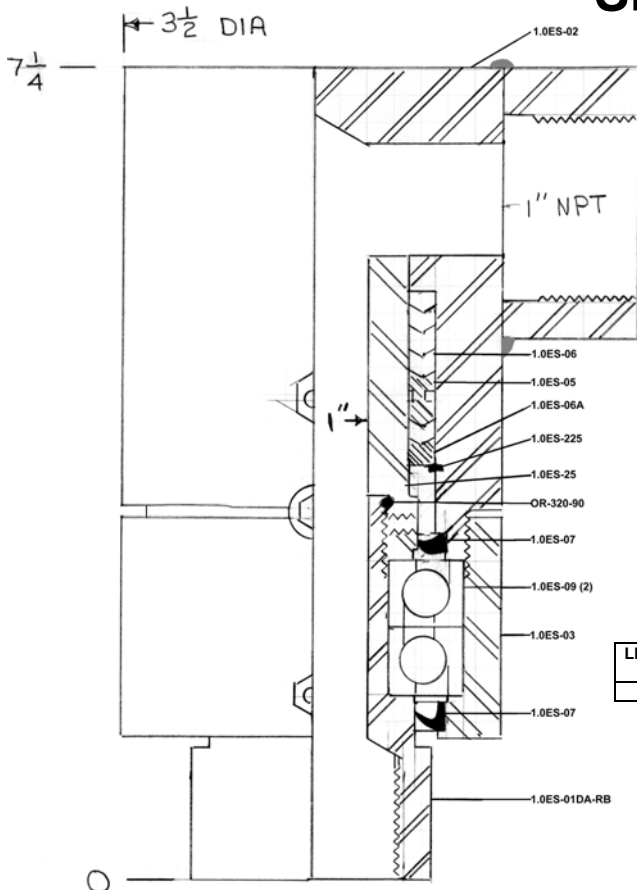
PART NUMBER	NAME	NUMBER REQ.	PRICE
1.0RHP-9300-XX	WESTERN HIGH PRESSURE SWIVEL, 1” NPT FEMALE HOSE CONNECTION STRIAIGHT UP WITH 1” NPT LH PIN LOWER CONNECTION STRAIGHT		574.76
	ADD FOR SIDE WITH STRAIGHT UP HOSE CONNECTION		30.00
	ADD FOR “SPECIAL SHAFT”		155.00
1.0HP-04	BEARING LOCKNUT	2	8.85 ea
1.0HP-06	PACKING SET	1	23.30 set
1.0HP-06A	PACKING SEAT RING	1	54.53
1.0HP-08	PACKING RETAINER	1	1.57
1.0HP-10	BEARING	2	40.26 ea
1.0RHP-01BA-LP	SPINDLE, 1” NPT LEFT HAND PIN	1	225.29
1.0RHP-01BA-RB	SPINDLE, 1” NPT RIGHT HAND BOX	Option	225.29
1.0RHP-02A	GOOSENECK 1” NPT FEMALE STRAIGHT UP	1	285.64
1.0RHP-02B	GOOSENECK 3/4” NPT FEMALE STRIAIGHT OUT	Option	285.64
1.0RHP-03	BEARING HOUSING	1	198.18
1.0RHP-05	LANTERN RING	1	50.52
1.0RHP-07	LOWER SEAL	1	8.74
1.0RHP-09	UPPER SEAL	1	8.74

Other sizes of connections available, please consult factory.

Option for above swivel, may affect pricing of complete swivel. Other options available, please consult factory.



1.0ES ROTATING HEAD “SPECIAL SWIVEL”



- Extra short – 7 ¼”
- 1” Fluid passage
- Chevron V-Ring packing
- Grease lubricated packing and bearing
- Sealed bearing case
- Can be serviced in the field

TECHNICAL DATA

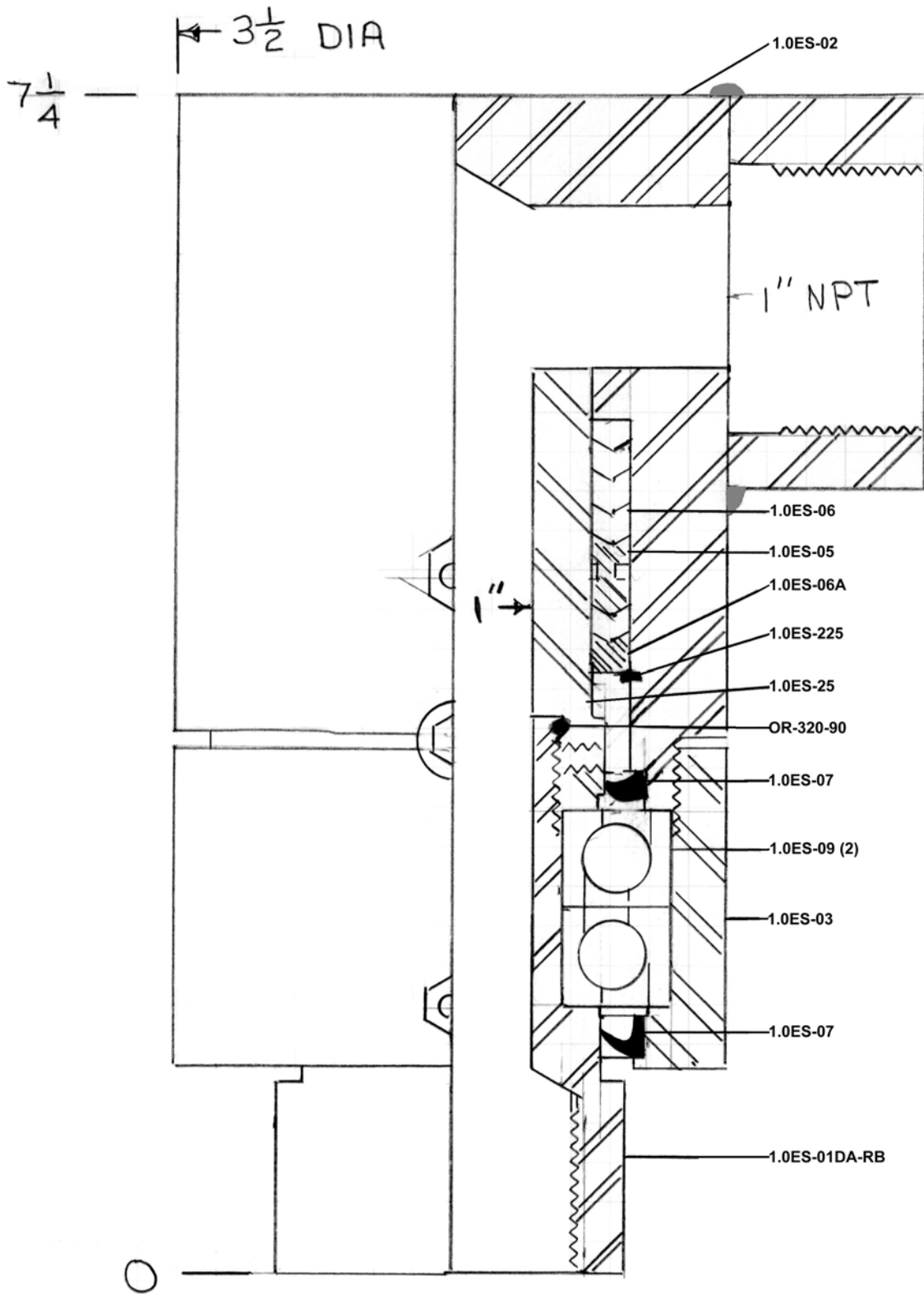
LENGTH	WIDTH	WEIGHT	HOSE CONN.	LOWER CONN.	FLUID PASSAGE	WORKING PRESSURE
7 ¼”	3 ½”		1” NPT	1 ½” NPT	1”	1500 PSI

WEIGHT CAPACITIES DESIGNED FOR PRESSURE LOAD ONLY

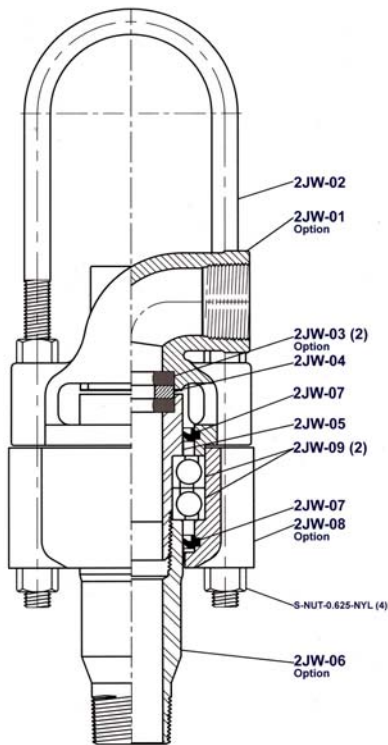
PART NUMBER	NAME	NUMBER REQ.	PRICE
1.0ES-9100-01	WESTERN ROTATING HEAD, “HIGH PRESSURE”, 1” NPT FEMALE HOSE CONN. WTH 1 ½” NPT LH FEMALE LOWER CONNECTION		1160.79
1.0ES-01DA-RB	SPINDLE, 1 ½” NPT RH FEMALE	1	306.63
1.0ES-02	GOOSENECK, 1” NPT FEMALE	1	519.90
1.0ES-03	BEARING HOUSING	1	425.27
1.0ES-05	LANTERN RING	1	146.43
1.0ES-06	PACKING WITH MALE ADAPTER	1	12.22 set
1.0ES-06A	PACKING SEAT RING	1	78.58
1.0ES-07	HOUSING SEALS	2	11.24 ea
1.0ES-09	BEARING	2	32.22 ea
1.0ES-225	RETAINER, PACKING	1	3.36
1.0ES-25	WASHPIPE	1	178.97
OR-320-90	RING, WASHPIPE	1	4.00

Other sizes of connections available, please consult factory.

Option for above swivel, may affect pricing of complete swivel. Other options available, please consult factory.



2 J W Swivel



- For all types of drilling requiring a small light weight swivel
- Alloy steel BAIL, SPINDLE, and LOWER CONNECTION
- High thrust ball bearings in a grease lubricated sealed housing
- Simple design allows quick packing replacement and easy field repairs.
- Available with several different hose connections.
- Special lower connections available upon request.

TECHNICAL DATA

MODEL	LENGTH	WT/LB ALUM. IRON	HOSE CONN. NPT	LOWER CONN* LH OR RH NPT	WATER COURSE	WORKING PRESSURE
2JW	16"	14.0 21.0	1-1/2" FEMALE 2" MALE	1-1/2" OR 2"	1-1/2"	300 PSI

CAPACITIES & SAFE DRILL DEPTHS

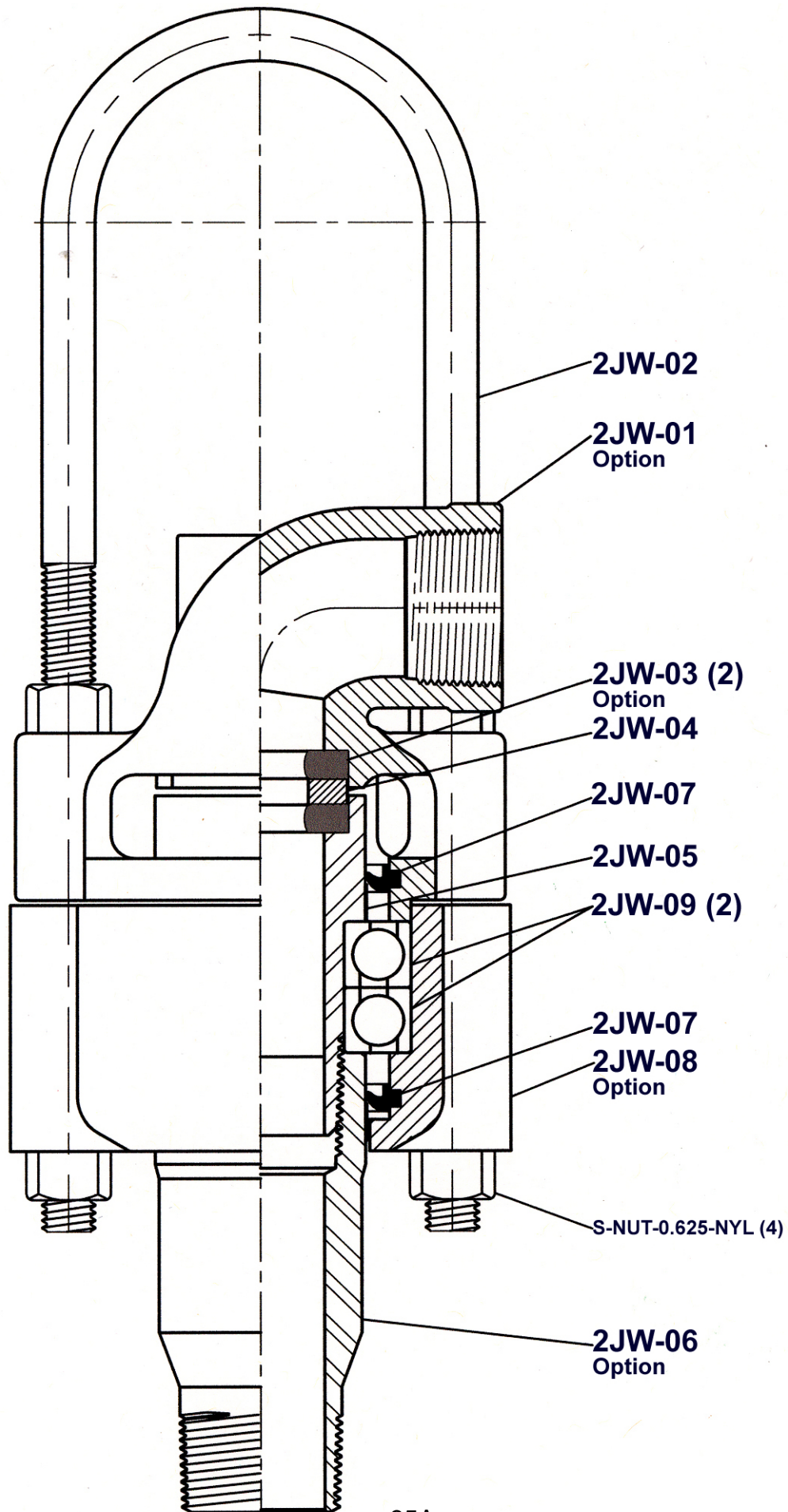
MODEL	STATIC LOAD	DRILL DEPTH	DRILL PIPE SIZE
2JW	7,000 LBS.	500 FT. @ 100 RPM	2" STANDARD PIPE

PARTS LIST

PART NUMBER	NAME	WT/LBS	QTY. REQ.	PRICE
2JW-2020-XX	SWIVEL, IRON OR ALUM., 1 1/2" FEMALE OR 2" MALE NPT HOSE CONNECTION, WITH 1 1/2" OR 2" NPT RIGHT OR LEFT PIN LOWER CONNECTION			564.43
	ADD FOR SPECIAL LOWER CONNECTION			155.00
2JW-01D	IRON GOOSENECK, 1 1/2" FEMALE	5.62	1	198.48
2JW-01E	IRON GOOSENECK, 2" MALE	5.62	Option	198.48
2JW-01AD	ALUM. GOOSENECK, 1 1/2" NPT FEMALE	2.09	Option	198.48
2JW-01AE	ALUM. GOOSENECK, 2" MALE	2.09	Option	198.48
2JW-02	BAIL WITH NUTS	2.10	1	49.73
2JW-03	+ PACKING	.04	2	8.34
2JW-03-90	PACKING, 90 DURO	.04	Option	8.34
2JW-03V	PACKING, VITON	.04	Option	26.97 ea
2JW-04	+ WEARBUSHING	.25	1	28.21
2JW-05	BEARING SPINDLE	2.00	1	118.07
2JW-06DA-RP	LOWER CONNECTION, 1 1/2" NPT RH PIN	2.50	Option	138.88
2JW-06DA-LP	LOWER CONNECTION, 1 1/2" NPT LH PIN	2.50	Option	138.88
2JW-06EA-RP	LOWER CONNECTION, 2" NPT RH PIN	2.50	Option	138.88
2JW-06EA-LP	LOWER CONNECTION, 2" NPT LH PIN	2.50	1	138.88
2JW-06YN3-RP	LOWER CONNECTION, N ROD RH PIN, 3 THREAD	4.75	Option	293.88
2JW-06YNW-RP	LOWER CONNECTION, NW ROD RH PIN	4.75	Option	293.88
2JW-07	+ HOUSING SEAL	.06	2	18.57 ea
2JW-07V	HOUSING SEAL, VITON	.06	Option	29.40 ea
2JW-08A	ALUM. BEARING HOUSING	2.00	Option	180.15
2JW-08B	IRON, BEARING HOUSING	5.50	1	180.15
2JW-09	+ BEARING	2.25	2	60.82 ea
2JW-40	MAINTENANCE KIT: (8) 2JW-03; (1) 2JW-04			90.18
2JW-40R	REPAIR KIT + Included in Repair Kit			193.47

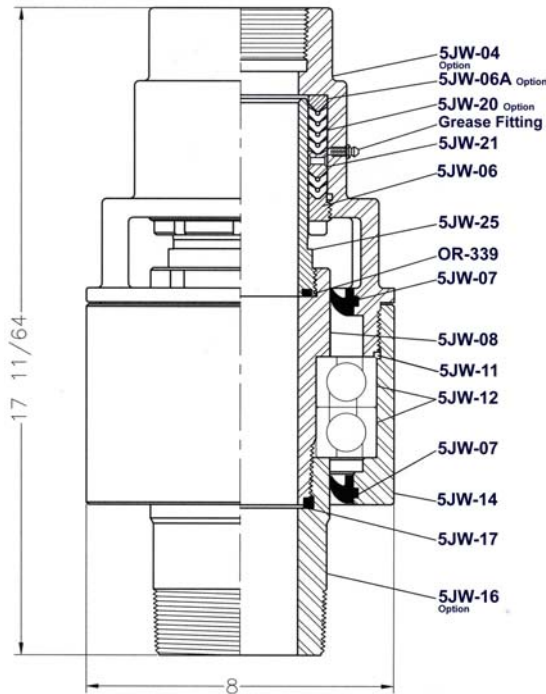
Other sizes of connections available, please consult factory.

Option for above swivel, may affect pricing of complete swivel. Other options available, please consult factory.



35A

5JW ROTATING HEAD



- Fluid Passage – 3” Maximum
- Compact Design
- Thrust Ball Bearings for pressure and radial load support
- Choice of hose and lower connection threads
- Easy field maintenance and repair
- Working Pressure to 2500 PSI

WEIGHTS AND DIMENSIONAL DATA

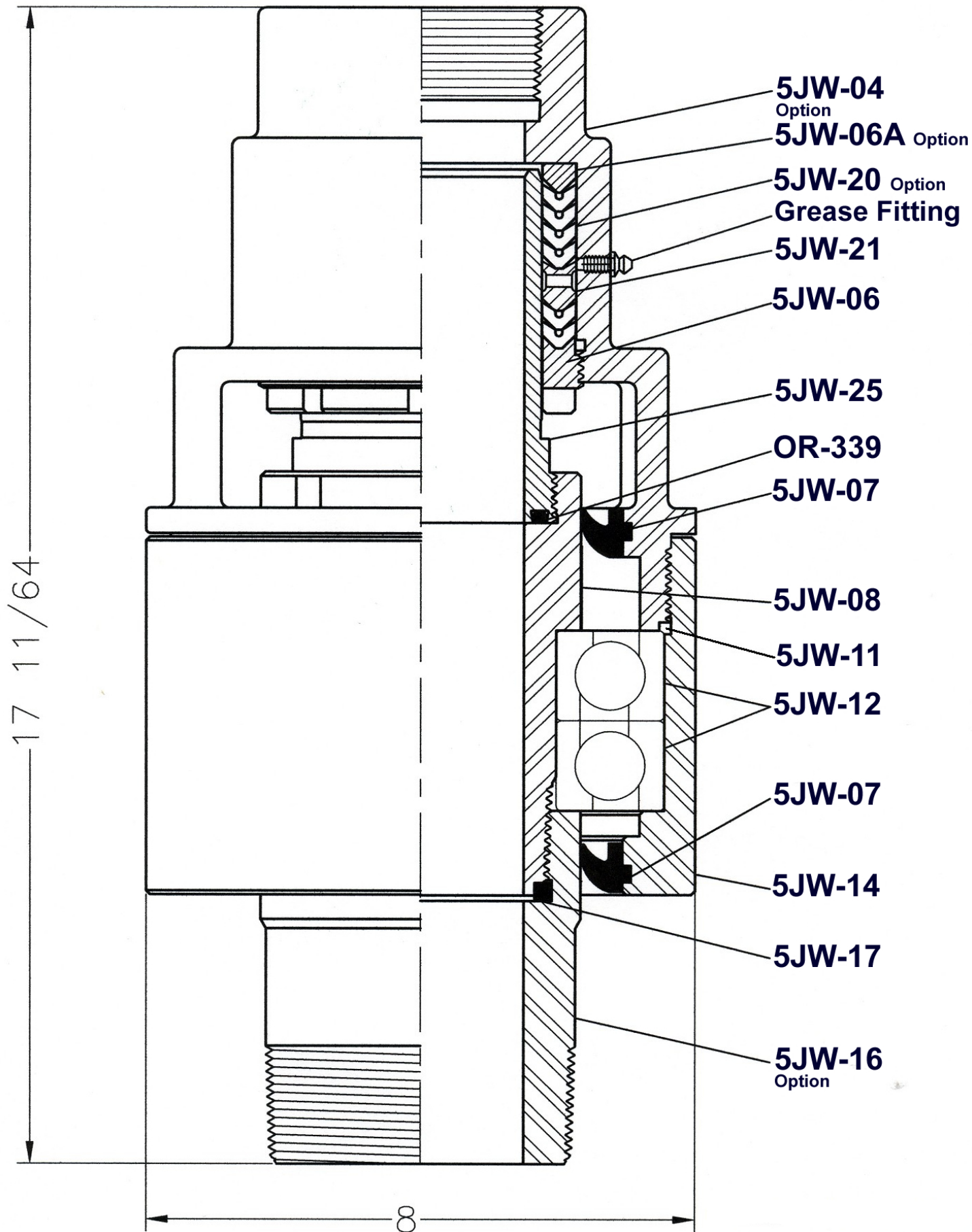
TYPE HEAD	WORKING PRES.	LENGTH INCHES	WT/LBS	LOWER CONN.* LH OR RH BOX OR PIN	HOSE CONN.	WATER COURSE
5JW	2500 PSI	17 ½”	95	3” NPT or 4”	3” or 4”	3”

PARTS LIST

PART NUMBER	DESCRIPTION	WT/LBS	NUMBER REQ.	PRICE
5JW-2050-XX	WESTERN SWIVEL, 3” FEMALE HOSE CONNECTION STRAIGHT UP, WITH 3” NPT, RIGHT OR LEFT HAND, BOX OR PIN LOWER CONNECTION			2757.69
	ADD FOR SPECIAL LOWER CONNECTION			275.00
	ADD FOR 4” HOSE CONNECTION			175.00
5JW-04	GOOSENECK, 3” NPT FEMALE HOSE CONNECTION	25.00	1	882.73
5JW-04A	GOOSENECK, 4” MALE HOSE CONNECTION	25.75	Option	1057.73
5JW-06	PACKING ADJUSTING GLAND	1.12	1	253.21
5JW-06A	+ PACKING SEAT RING	.25	1	10.14
5JW-06S	PACKING SEAT RING (STEEL)	1.00	Option	94.45
5JW-07	+ HOUSING SEAL	.25	2	26.22 ea
5JW-07V	HOUSING SEAL VITON	.25	Option	65.35 ea
5JW-08	BEARING SPINDLE, 3” FLUID PASSAGE	8.00	1	560.73
5JW-11	BEARING RETAINER WIRE	.10	1	12.88
5JW-12	+ BEARING	8.00	2	279.26 ea
5JW-14	BEARING HOUSING	10.00	1	663.63
5JW-16HA-RB	LOWER CONNECTION, 3” NPT RH BOX	15.00	Option	452.93
5JW-16HA-RP	LOWER CONNECTION, 3” NPT RH PIN	14.00	Option	452.93
5JW-16HA-LB	LOWER CONNECTION, 3” NPT LH BOX	15.00	1	452.93
5JW-16HA-LP	LOWER CONNECTION, 3” NPT LH PIN	14.00	Option	452.93
5JW-16IA-RB	LOWER CONNECTION, 4” NPT RH BOX	18.00	Option	727.93
5JW-16IA-RP	LOWER CONNECTION, 4” NPT RH PIN	17.00	Option	727.93
5JW-16IA-LB	LOWER CONNECTION, 4” NPT LH BOX	18.00	Option	727.93
5JW-16IA-LP	LOWER CONNECTION, 4” NPT LH PIN	17.00	Option	727.93
5JW-17	+ SPINDLE THREAD SEAL	.25	1	18.48
5JW-20	+ PACKING SET	.50	1	52.42 set
5JW-20-416	PACKING (LOW PRESSURE)	.50	Option	78.88 set
5JW-21	LANTERN RING	1.00	1	112.39
5JW-25	+ WASHPIPE	4.50	1	217.30
OR-339	+ O RING	.01	1	4.00
5JW-40R	REPAIR KIT + Included in Repair Kit			842.73

Other sizes of connections available, please consult factory.

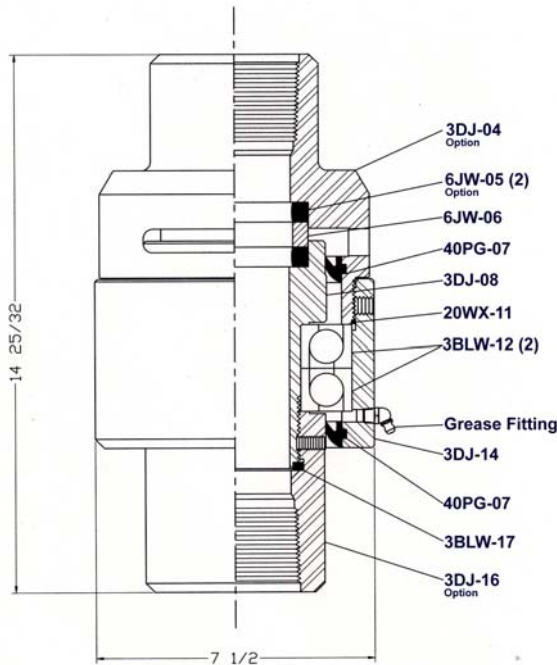
Option for above swivel, may affect pricing of complete swivel. Other options available, please consult factory.



COMING SOON:

5BD

3DJ Rotating Head



- 3" Fluid Passage
- Compact Design
- Thrust ball bearings grease lubricated for radial and thrust loads
- Available with STIFF BAIL
- Available with 90 degree hose connection.
- For both air and mud rotary

WEIGHTS AND DIMENSIONAL DATA

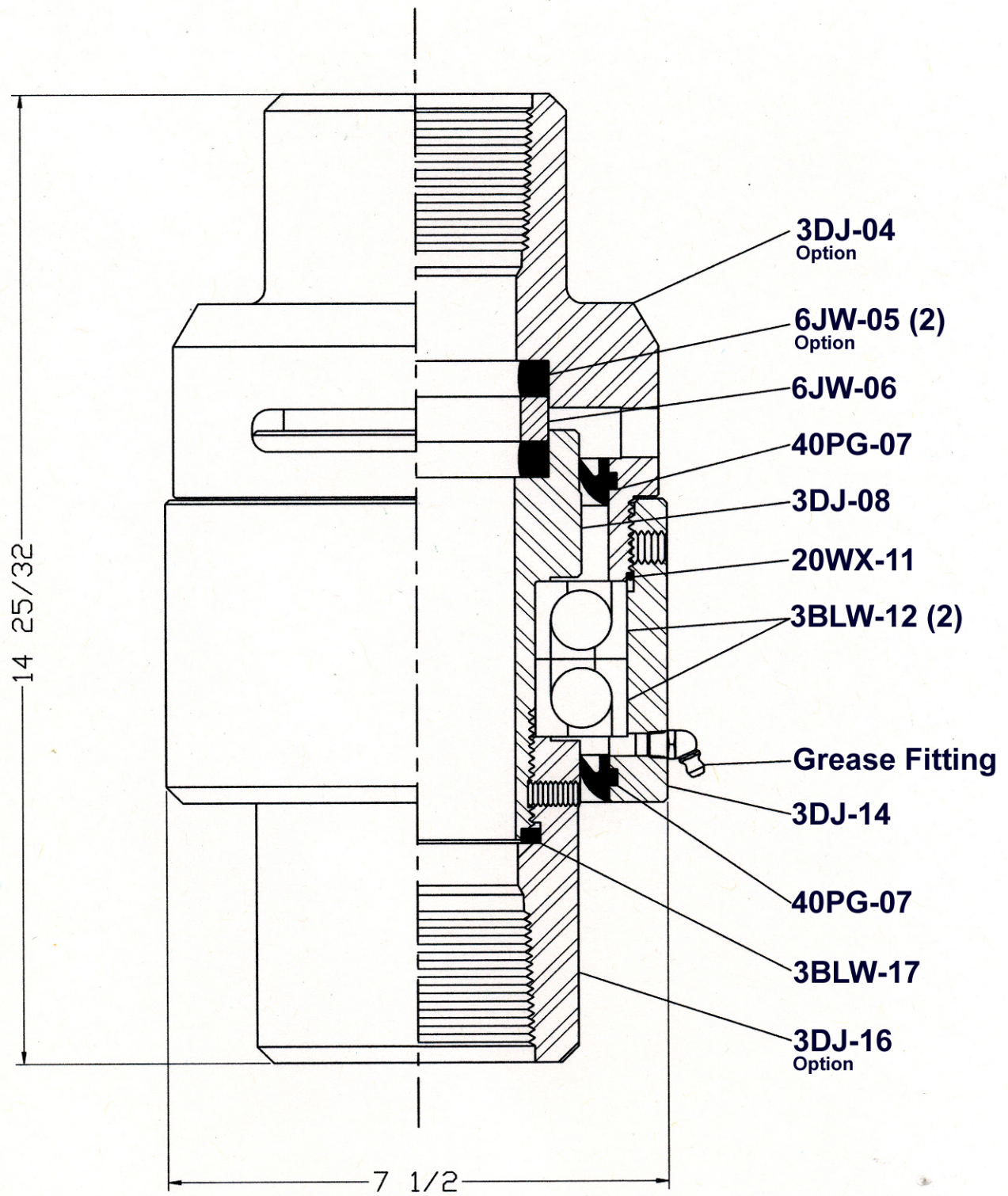
LENGTH	WT/LB	HOSE CONN	LOWER CONN	WATERCOURSE	WORKING PRESSURE
14 1/2"	65	3" NPT FEMALE	2 1/2" OR 3" NPT	3"	TO 300 PSI

PARTS LIST

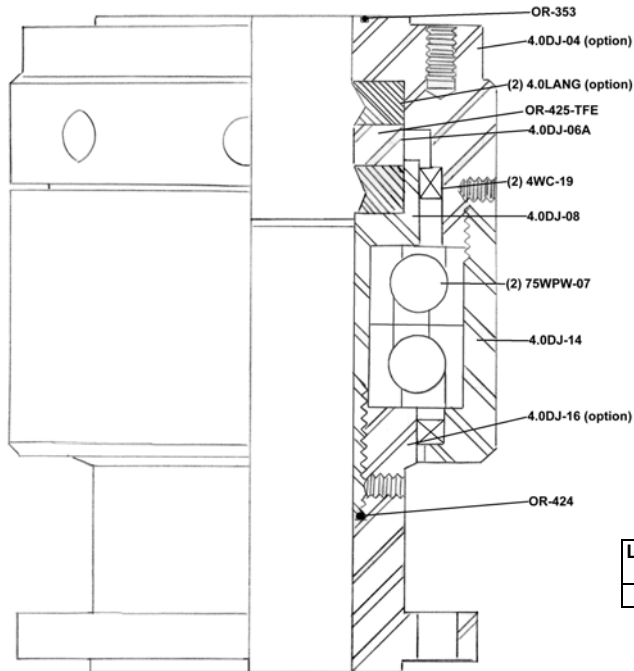
PART NUMBER	DESCRIPTION	WT/LBS	NUMBER REQ.	PRICE
3DJ-2500-XX	WESTERN ROTATING HEAD, 3" FEMALE OR 4" MALE NPT HOSE CONNECTION, WITH 3" NPT RH/LH BOX OR PIN LOWER CONNECTION			2155.33
	ADD FOR STIFF BAIL			280.00
	ADD FOR SPECIAL LOWER CONNECTION			275.00
3DJ-04A **	GOOSENECK, 3" NPT BOX HOSE CONNECTION	18.00	1	754.45
6JW-05	+ PACKING	.25	2	15.34ea
6JW-05-90	PACKING, 90 DURO HIGH PRESSURE	.25	Option	15.34ea
6JW-06	+ WEARBUSHING	1.00	1	58.31
40PG-07	+ HOUSING SEALS	.20	2	30.81
3DJ-08	BEARING SPINDLE	8.00	1	521.37
20WX-11	BEARING RETAINER WIRE	.12	1	10.36
3BLW-12	+ BEARING	7.50	2	217.93ea
3DJ-14	BEARING HOUSING	10.00	1	527.91
3DJ-16HA-RB	LOWER CONNECTION, 3" NPT RH BOX	15.00	Option	452.93
3DJ-14HA-LB	LOWER CONNECTION, 3" NPT LH BOX	15.00	1	452.93
3DJ-16IA-RB	LOWER CONNECTION, 4" NPT RH BOX	18.00	Option	727.93
3DJ-16IA-LB	LOWER CONNECTION, 4" NPT RH PIN	17.00	Option	727.93
3DJ-16HA-RP	LOWER CONNECTION, 3" NPT RH PIN	15.00	Option	452.93
3DJ-16HA-LP	LOWER CONNECTION, 3" NPT LH PIN	15.00	Option	452.93
3DJ-16IA-RP	LOWER CONNECTION, 4" NPT RH PIN	18.00	Option	727.93
3DJ-16IA-LP	LOWER CONNECTION, 4" NPT LH PIN	18.00	Option	727.93
3DJ-16TA-LP	LOWER CONNECTION, 2 1/2" NPT LH PIN	13.50	Option	727.93
3BLW-17	+ SPINDLE THREAD SEAL	.15	1	18.48
SS-37X37	SET SCREW, LOWER CONNECTION	.01	1	1.50
SS-50X37	SET SCREW, BEARING HOUSING	.01	1	1.50
6JW-40	MAINTENANCE KIT (8) 6JW-05 (1) 6JW-06 WEARBUSHING			172.93
3DJ-40R	REPAIR KIT + Included in Repair Kit			575.65

Other sizes of connections available, please consult factory.

Option for above swivel, may affect pricing of complete swivel. Other options available, please consult factory.



4.0 DJ ROTATING HEAD



- Fluid Passage – 4” Maximum
- Compact Design
- Thrust Ball Bearings for pressure and radial load support
- Choice of hose and lower connection threads
- Easy field maintenance and repair

TECHNICAL DATA

LENGTH	WIDTH	WEIGHT	HOSE CONN.	LOWER CONN.	FLUID PASSAGE	WORKING PRESSURE
13	9	145	150# Flange	150# Flange	4”	TO 300 PSI

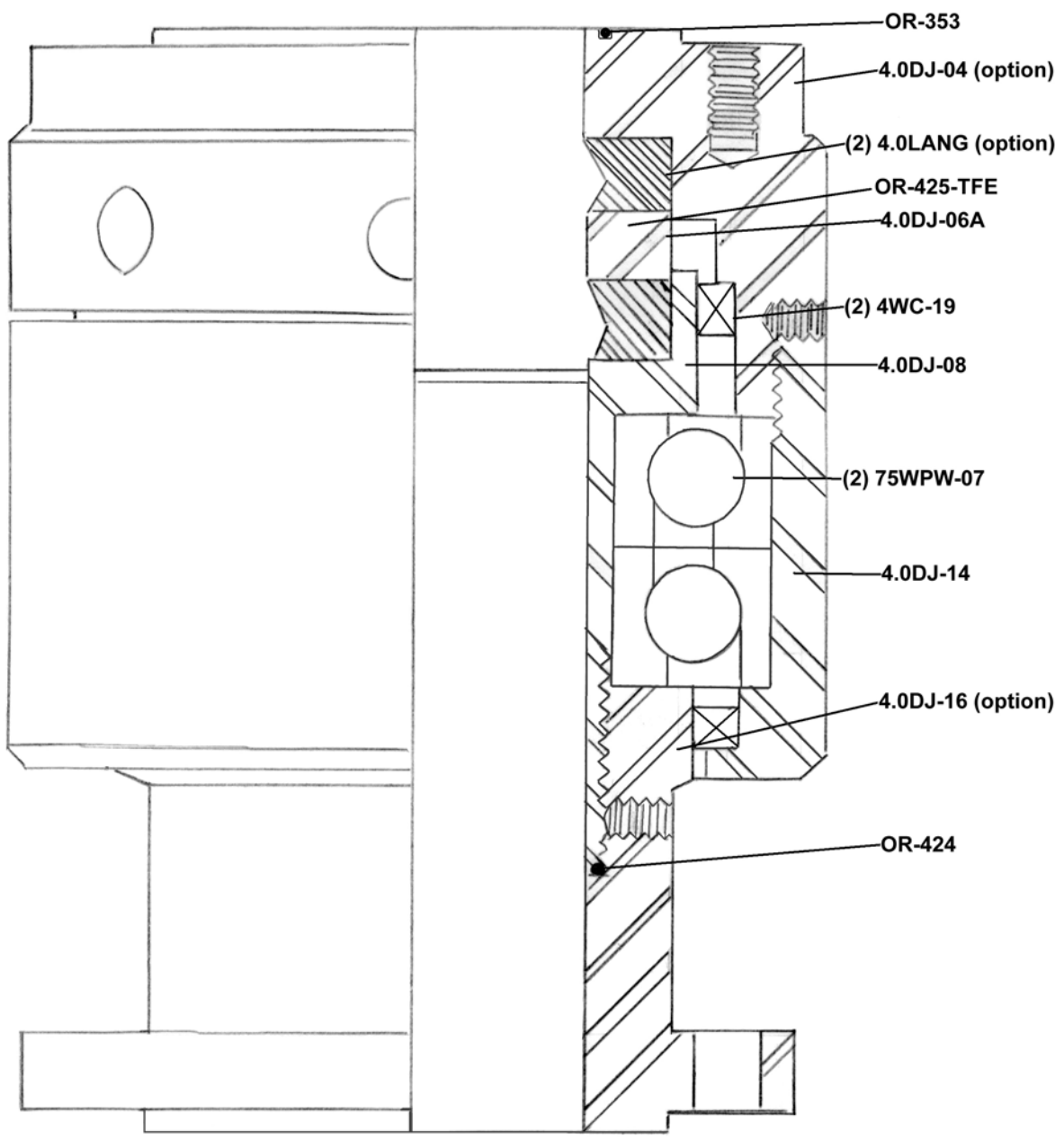
WEIGHT CAPACITY
DESIGNED FOR PRESSURE LOAD ONLY

PARTS LIST

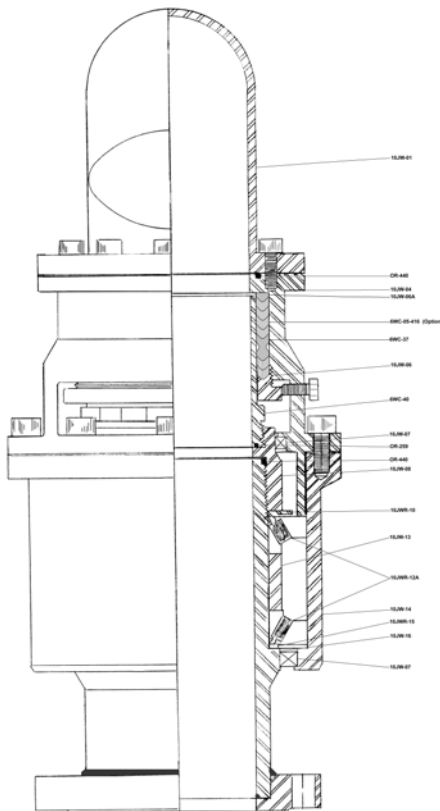
PART NUMBER	DESCRIPTION	WT/LBS	QTY. REQ.	PRICE
4.0DJ-2800-XX	WESTERN ROTATING HEAD, 4”, 150# FLANGE HOSE CONNECTION WITH 4”, 150# FLANGE LOWER CONNECTION 4” ID, TO 300 PSI W.P.			5442.21
4.0DJ-04	GOOSENECK, 150# FLANGE HOSE CONNECTION		OPTION	1465.20
4.0 LANG	PACKING		2	20.09 ea
4.0 LANG-90	PACKING, 90 DURO		OPTION	20.09 ea
4.0 DJ-06A	WEARBUSHING WITH O-RINGS		1	216.38
4WC-19	HOUSING SEAL		2	70.82 ea
75WPW-07	BEARINGS		2	774.71 ea
4.0DJ-8	SPINDLE, BEARING		1	1360.52
4.0DJ-14	HOUSING, BEARING		1	1524.49
4.0DJ-16IK	CONNECTION, LOWER (4” 150# FLANGE)		OPTION	1539.33
OR-353	O-RING (GOOSENECK)		1	4.00
OR-424	O-RING (THREAD SEAL)		1	4.00
OR-425-TFE	O-RING (WEARBUSHING)		2	9.35 ea

Other sizes of connections available, please consult factory.

Option for above swivel, may affect pricing of complete swivel. Other options available, please consult factory.



10 JW “SPECIAL SWIVEL”



- Fluid Passage – 6”
- Adjustable tapered roller bearing
- Adjustable Chevron (V-Ring) Packing
- Grease Lubricated – Bearings & Packing
- Available for airlift reverse drilling

TECHNICAL DATA

LENGTH	WIDTH	WEIGHT	HOSE CONN.	LOWER CONN.	FLUID PASSAGE	WORKING PRESSURE
28”	12 7/8		150 Flange	150 Flange	6	TO 1500 PSI

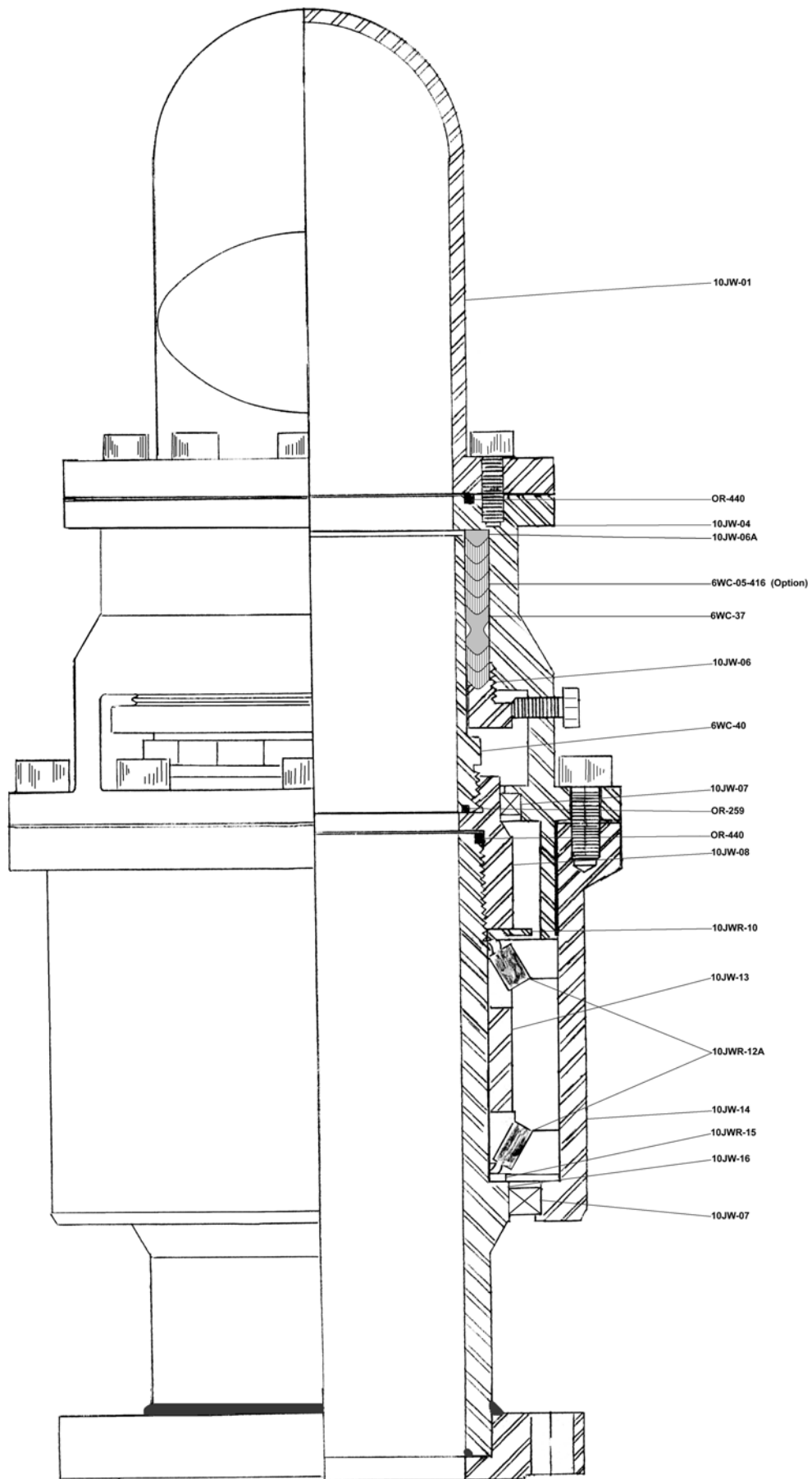
WEIGHT CAPACITY
DESIGNED FOR PRESSURE LOAD ONLY

PARTS LIST

PART NUMBER	DESCRIPTION	WT/LBS	QTY. REQ.	PRICE
10JW-2090-XX	WESTERN ROTATING HEAD, 6” ID, 6” 150# FLANGE HOSE CONNECTION, WITH 2” NPT FEMALE AIRLINE CONNECTION, 6” 150# FLANGE LOWER CONNECTION			12,647.00
10JW-01	GOOSENECK, 6” 150# FLANGE WITH 2” NPT AIRLINE CONNECTION		1	1712.04
10JW-04	BONNET		1	3527.14
10JW-06	PACKING ADJUSTING GLAND		1	806.34
10JW-06A	PACKING ADAPTER RING		1	161.78
10JW-07	HOUSING SEAL		2	116.26 ea
10JW-08	SPINDLE NUT		1	771.96
10JW-13	BEARING (CUP AND CONE)		2	CONSULT
10JW-14	BEARING HOUSING		1	2636.36
10JW-16	SPINDLE, 6” 150# FLANGE		1	2467.74
10JWR-10	BEARING SHIELD		1	237.83
10JWR-12A	INNER BEARING SPACER		1	290.98
10JWR-15	LOWER BEARING SPACER		1	166.82
6WC-05-416	PACKING SET, LOW PRESSURE		1	142.30
6WC-05	PACKING SET, HIGH PRESSURE		OPTION	142.30
6WC-37	LANTERN RING		1	168.02
6WC-40	WASHPIPE		1	467.87
OR-259	O RING (WASHPIPE)		1	4.00
OR-440	O RING (BONNET AND NUT)		2	4.00 ea

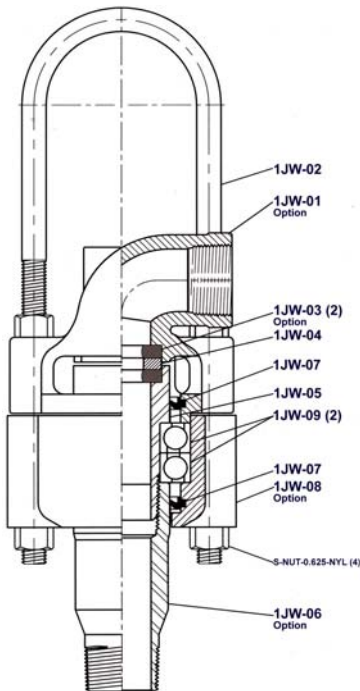
Other sizes of connections available, please consult factory.

Option for above swivel, may affect pricing of complete swivel. Other options available, please consult factory.



1JW Swivel

- For all types of drilling requiring a small light weight swivel
- Alloy steel BAIL, SPINDLE, and LOWER CONNECTION
- High thrust ball bearings in a grease lubricated sealed housing
- Simple design allows quick packing replacement and easy field repairs.
- Available with several different hose connections.
- Special lower connections available upon request.



TECHNICAL DATA

MODEL	LENGTH	WT/LB ALUM. IRON	HOSE CONN. NPT	LOWER CONN* LH OR RH NPT	WATER COURSE	WORKING PRESSURE
1JW	13"	10.0 15.0	1" FEMALE 1-1/4" MALE	1" OR 1-1/4"	1"	300 PSI

CAPACITIES & SAFE DRILL DEPTHS

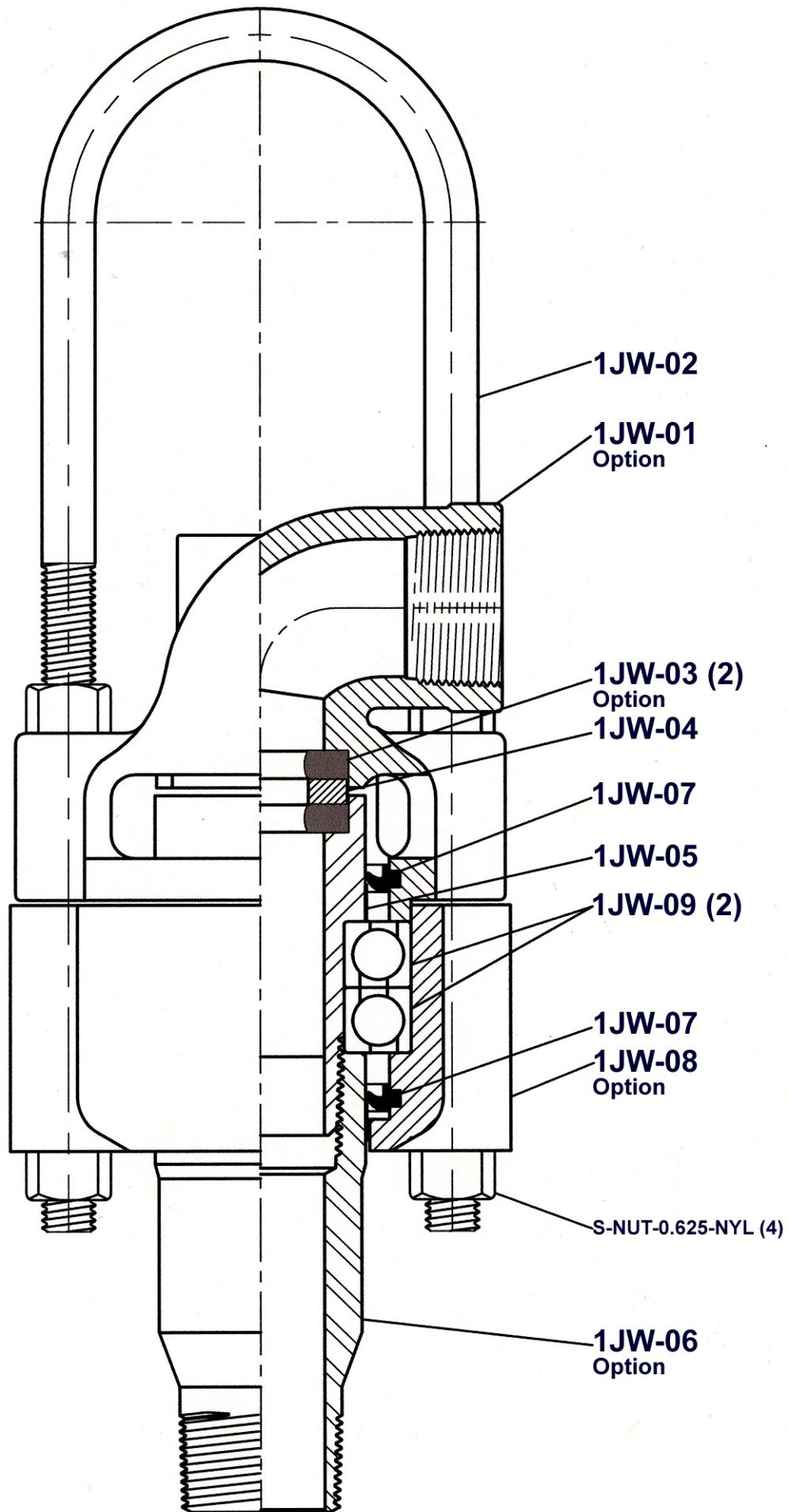
MODEL	STATIC LOAD	DRILL DEPTH	DRILL PIPE SIZE
1JW	5,000 LBS.	500 FT. @ 100 RPM	1-1/4" STANDARD PIPE

PARTS LIST

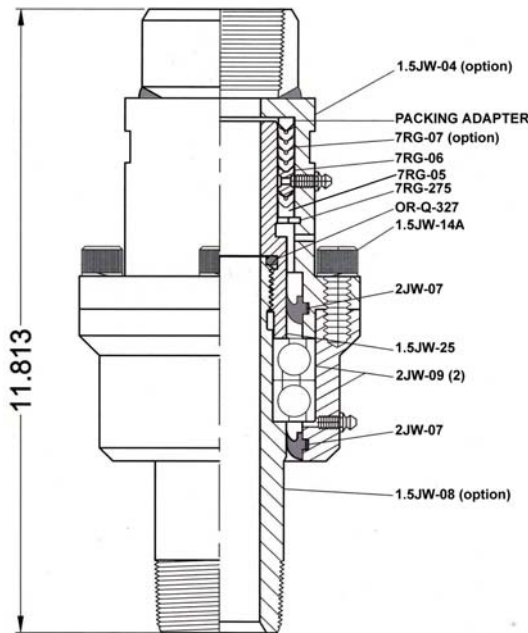
PART NUMBER	NAME	WT/LBS	QTY. REQ.	PRICE
1JW-2010-XX	SWIVEL, IRON OR ALUM., 1" FEMALE OR 1 1/4" MALE NPT HOSE CONNECTION WITH 1 1/4" NPT LEFT OR RIGHT HAND PIN LOWER CONNECTION			564.43
	ADD FOR SPECIAL LOWER CONNECTION			155.00
1JW-01B	IRON GOOSENECK, 1" FEMALE	4.12	Option	198.48
1JW-01C	IRON GOOSENECK, 1 1/4" MALE	4.12	1	198.48
1JW-01AB	ALUM. GOOSENECK, 1" FEMALE	1.56	Option	198.48
1JW-01AC	ALUM. GOOSENECK, 1 1/4" MALE	1.56	Option	198.48
1JW-02	BAIL WITH NUTS	1.62	1	49.73
1JW-03	+ PACKING	.03	2	8.34 ea
1JW-03-90	PACKING, 90 DURO	.03	Option	8.34 ea
1JW-03V	PACKING, VITON	.03	Option	26.97 ea
1JW-04	+ WEARBUSHING	.18	1	28.21
1JW-05	BEARING SPINDLE	1.12	1	105.56
1JW-06BA-RP	LOWER CONNECTION, 1" NPT RH PIN	1.50	Option	275.37
1JW-06BA-LP	LOWER CONNECTION, 1" NPT LH PIN	1.50	Option	275.37
1JW-06CA-RP	LOWER CONNECTION, 1 1/4" NPT RH PIN	1.50	Option	120.37
1JW-06CA-LP	LOWER CONNECTION, 1 1/4" NPT LH PIN	1.50	1	120.37
1JW-06YA-RP	LOWER CONNECTION, A ROD RH PIN	3.00	Option	275.37
1JW-07	+ HOUSING SEALS	.06	2	18.57 ea
1JW-07V	HOUSING SEALS VITON	.06	Option	29.40 ea
1JW-08A	ALUM., BEARING HOUSING	1.50	Option	180.15
1JW-08	IRON, BEARING HOUSING	4.00	1	180.15
1JW-09	+ BEARINGS	1.68	2	60.82 ea
1JW-40	MAINTENANCE KIT: (8) 1JW-03 (1) 1JW-04			90.18
1JW-40R	REPAIR KIT + Included in Repair Kit			193.47

Other sizes of connections available, please consult factory.

Option for above swivel, may affect pricing of complete swivel. Other options available, please consult factory.



1.5 JW ROTATING HEAD



- Fluid Passage to 1 ½"
- Compact Design
- Thrust ball bearings for pressure and radial load support
- Choice of hose and lower connection threads
- Easy field maintenance and repair

TECHNICAL DATA

LENGTH	WIDTH	WEIGHT	HOSE CONN.	LOWER CONN.	WATERCOURSE	WORKING PRESSURE
12 ½"	5 3/16"	9 ¼"	2" NPT Male	2" NPT RHP	1 ½"	To 2500 PSI

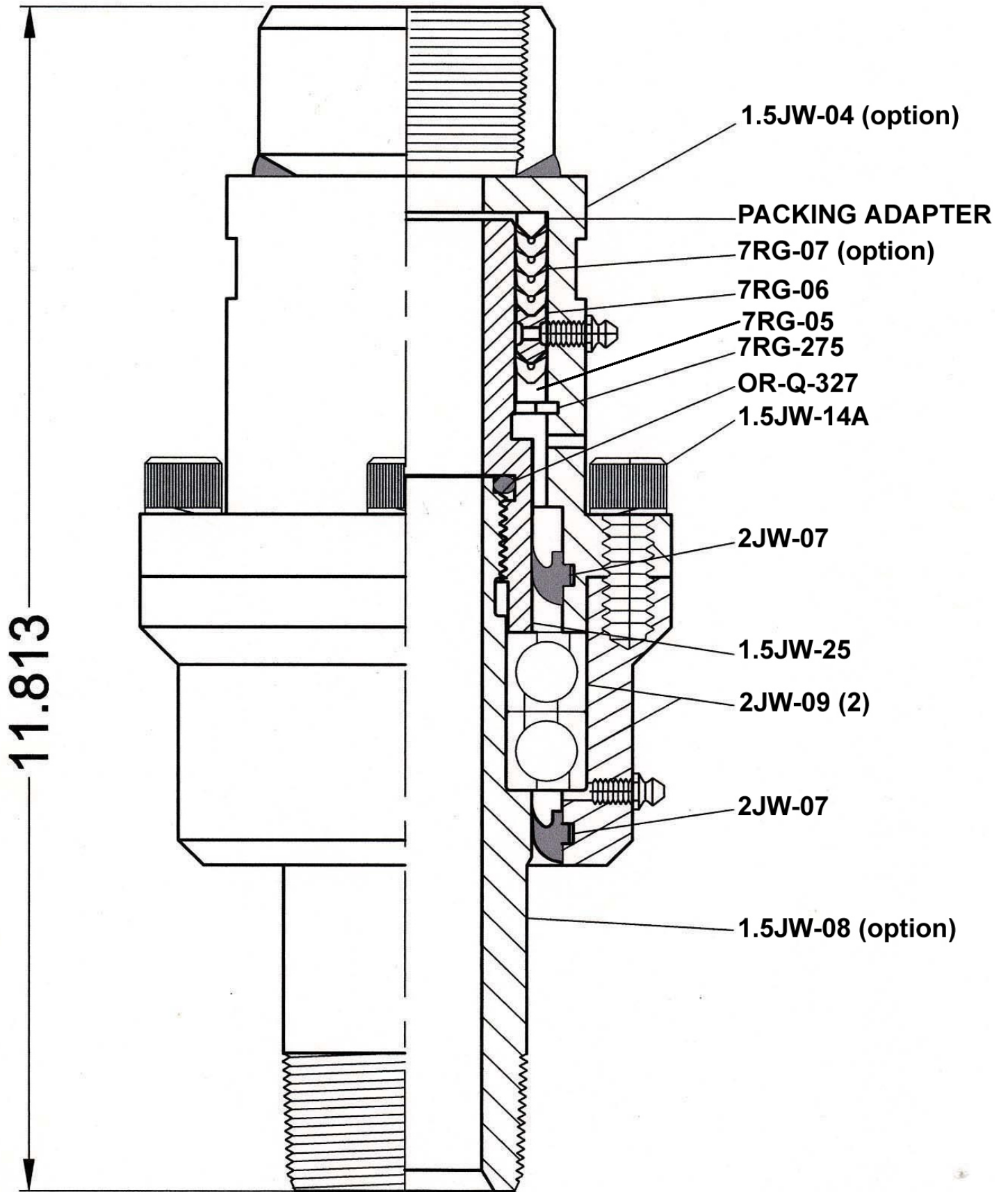
WEIGHT CAPACITY DESIGNED FOR PRESSURE LOAD ONLY

PARTS LIST

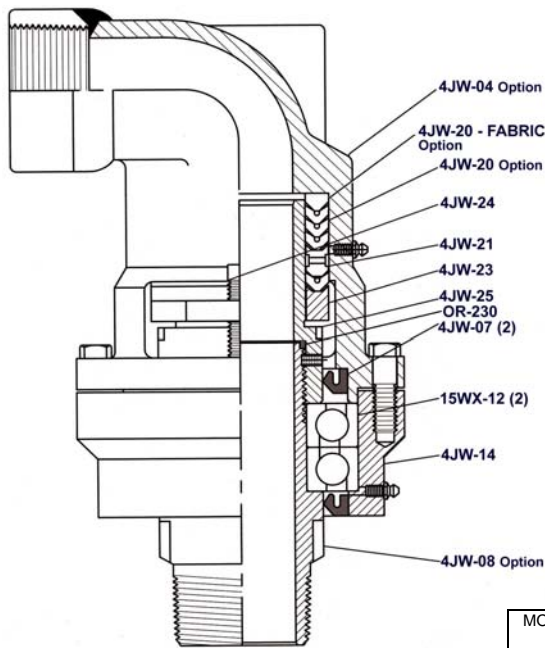
PART NUMBER	NAME	WT/LBS	NUMBER REQ.	PRICE
1.5JW-2070-XX	ROTATING HEAD, 2" NPT MALE HOSE CONNECTION WITH 2" NPT LH PIN LOWER CONNECTION			1001.68
	ADD FOR "SPECIAL STEM"			155.00
1.5JW-04A	GOOSENECK, 2" NPT MALE HOSE CONNECTION		1	415.07
1.5JW-08DA-RP	SPINDLE, 1 ½" NPT RH PIN		Option	313.36
1.5JW-08EA-LP	SPINDLE, 2" NPT LH PIN		1	313.36
1.5JW-14	BEARING HOUSING		1	229.40
1.5JW-25	WASHPIPE		1	167.50
OR-Q327	WASHPIPE QUAD RING		1	4.00
2JW-07	HOUSING SEAL		2	18.57 ea
2JW-09	BEARINGS		2	60.82 ea
7RG-275	PACKING RETAINER		1	5.51
7RG-05	PACKING SEAT RING		1	47.04
7RG-06	LANTERN RING		1	76.98
7RG-07	PACKING SET W/ADAPTER		1	39.98 set

Other sizes of connections available, please consult factory.

Option for above swivel, may affect pricing of complete swivel. Other options available, please consult factory.



4JW ROTATING HEAD



- For all types of drilling
- For rotating speed to 500 RPM
- Constructed from a high grade alloy steel
- Grease lubricated thrust ball bearings in a sealed housing
- Available with or without stiff bail
- Compact
- Simple design allows for easy field maintenance and repair
- Large Watercourse, 2" and 2-1/4"
- Choice of lower connection threads
- Working Pressures to 1500 PSI

TECHNICAL DATA

MODEL	LENGTH	WT/LBS	HOSE CONN.	LOWER CONN* RH OR LH NPT	WATER COURSE	WORKING PRESSURE
4JW	13" W/O BAIL	50	2-1/2" FEMALE	2-1/2" PIN	MAX. 2-1/4"	1500 PSI

CAPACITIES & SAFE DRILL DEPTHS

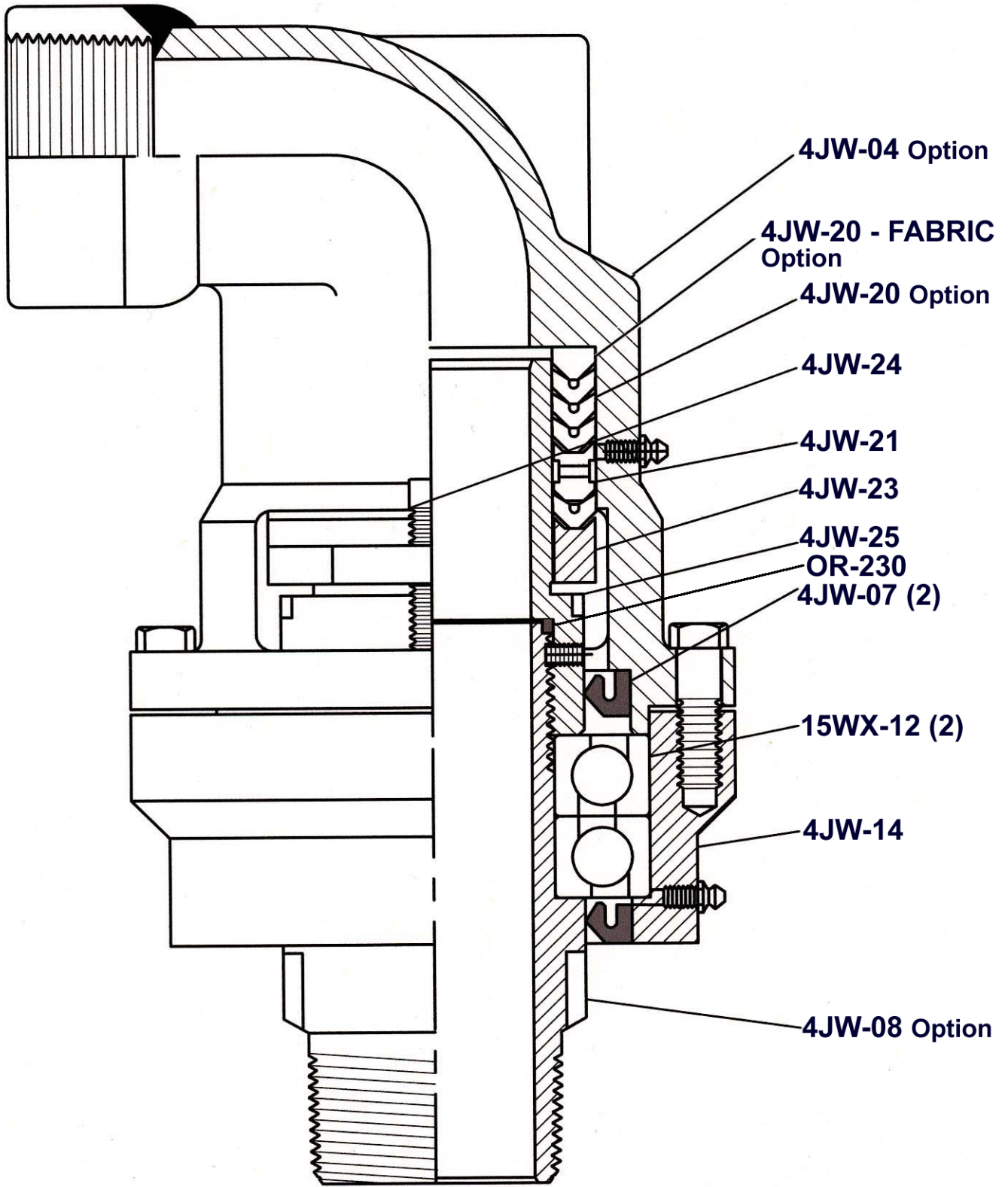
MODEL	STATIC LOAD	ROTATING LOADS	ROTATING SPEED	DRILL DEPTH	PIPE SIZE
4JW	20,000 LBS.	10,500 LBS.	100 RPM	3000 FT	2" STANDARD PIPE

PARTS LIST

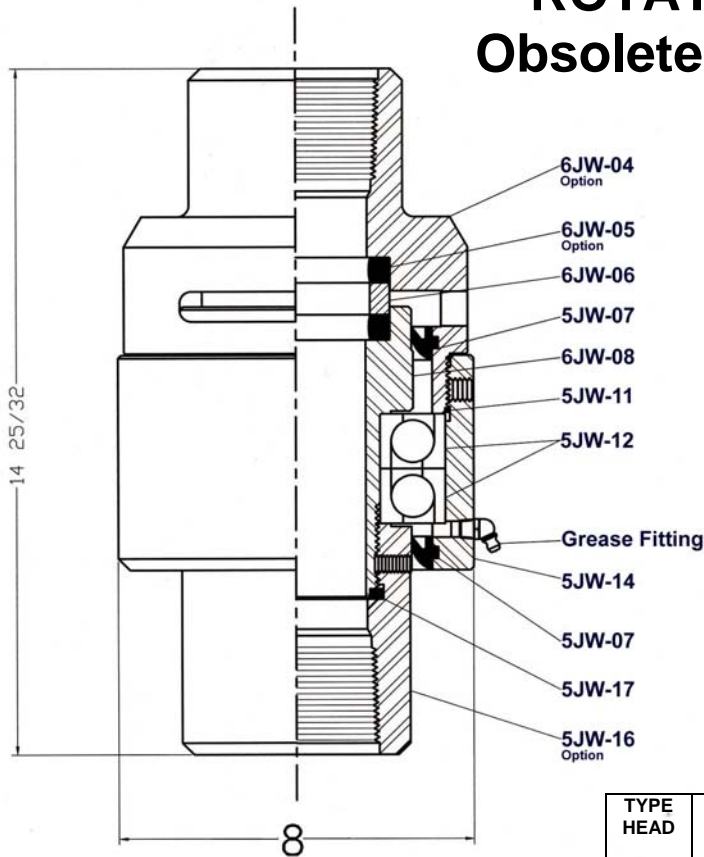
PART NUMBER	DESCRIPTION	WT/LBS	QTY. REQ.	PRICE
4JW-2040-XX	WESTERN SWIVEL, NO BAIL, 2 1/2" NPT FEMALE HOSE CONNECTION WITH 2 1/2" NPT LH PIN LOWER CONNECTION			1582.25
	ADD FOR STIFF BAIL			176.96
	ADD FOR SPECIAL LOWER CONNECTION			275.00
4JW-04	GOOSENECK, NO BAIL, 2 1/2" NPT FEMALE H/C	26.00	1	586.26
4JW-04B	GOOSENECK, BAIL, 2 1/2" NPT FEMALE H/C	.25	Option	763.22
4JW-07	+ HOUSING SEAL, UPPER	7.00	2	27.22 ea
4JW-08TA-LP	SPINDLE, 2 1/2" NPT LH PIN LOWER CONN	7.00	1	353.47
4JW-08EA-LB	SPINDLE, 2" NPT LH BOX LOWER CONN		Option	628.47
15WX-12	+ BEARINGS	5.50	2	153.85
4JW-14	BEARING HOUSING	10.00	1	488.62
4JW-14A	CAP SCREW W/LOCK WASHER	.25	4	6.78 ea
4JW-20	+ PACKING SET	1.00	1	41.92 set
4JW-20-416	PACKING SET LOW PRESSURE	1.00	OPTION	44.72 set
4JW-20-FABRIC	+ ADAPTER, MALE (FABRIC)	.10	1	7.85
4JW-20-STEEL	ADAPTER, MALE (STEEL)	.75	Option	68.85
4JW-21	LANTERN RING	.75	1	103.49
4JW-23	PACKING ADJUSTING GLAND	2.00	1	240.29
4JW-24	PACKING ADJUSTING BOLT AND NUT	.20	2	10.30 ea
4JW-25	+ WASHPIPE (SPINDLE NUT)	5.00	1	178.97
4JW-25A	+ SET SCREW, WASHPIPE	.01	1	1.18
OR-230	+ O'RING, WASHPIPE	.01	1	4.00
4JW-40R	REPAIR KIT + Included in Repair Kit			566.26

Other sizes of connections available, please consult factory.

Option for above swivel, may affect pricing of complete swivel. Other options available, please consult factory.



6JW ROTATING HEAD Obsolete – Parts Only



- Fluid Passage – 3" Maximum
- Compact Design
- Thrust Ball Bearings for pressure and radial load support
- Choice of hose and lower connection threads
- Easy field maintenance and repair
- Working Pressure to 300 PSI

WEIGHTS AND DIMENSIONAL DATA

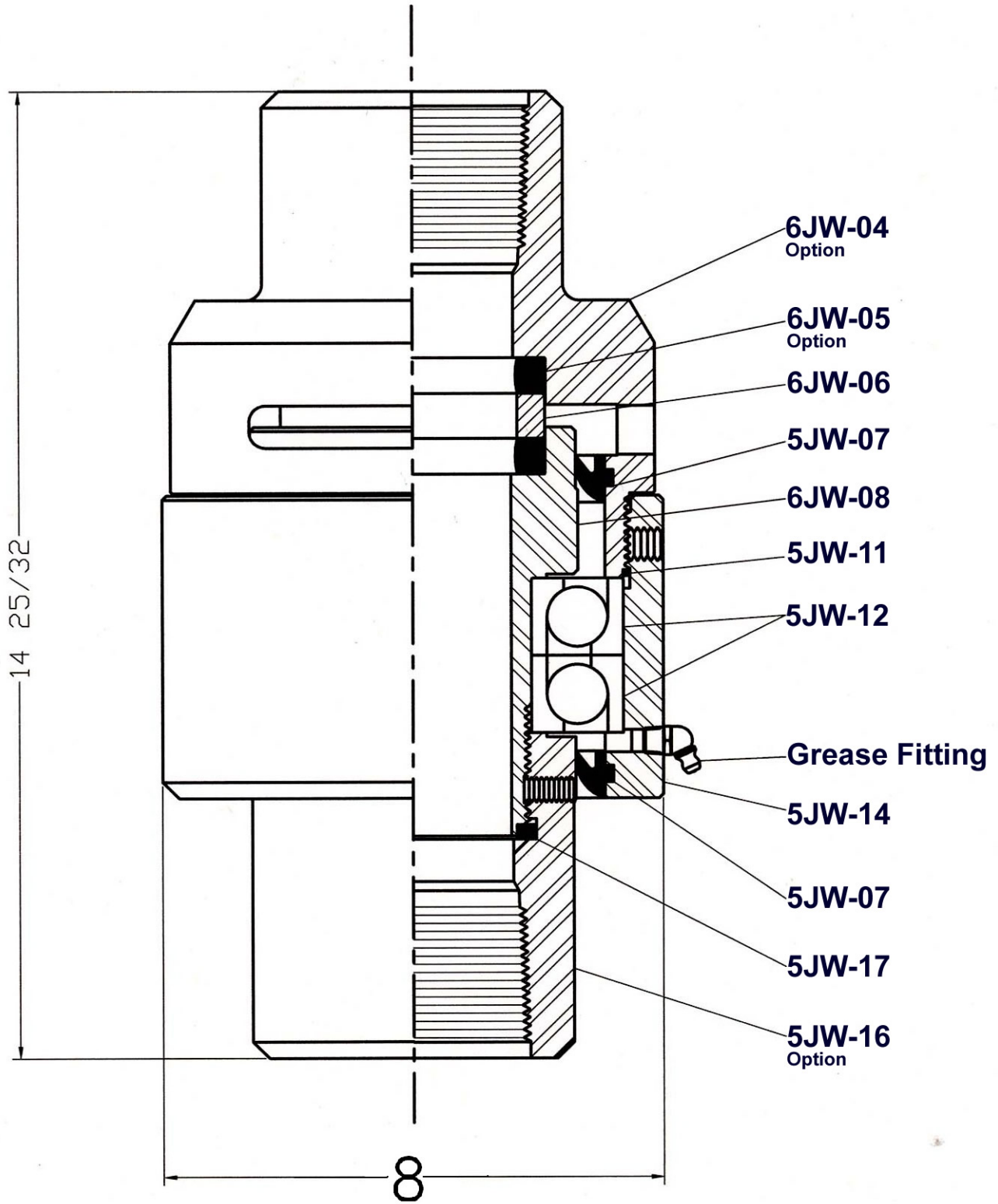
TYPE HEAD	WORKING PRES.	LENGTH INCHES	WT/LBS	LOWER CONN.* LH OR RH BOX OR PIN	HOSE CONN.	WATER COURSE
6JW	300	14 1/2"	70	3" NPT or 4"	3" or 4"	3"

PARTS LIST

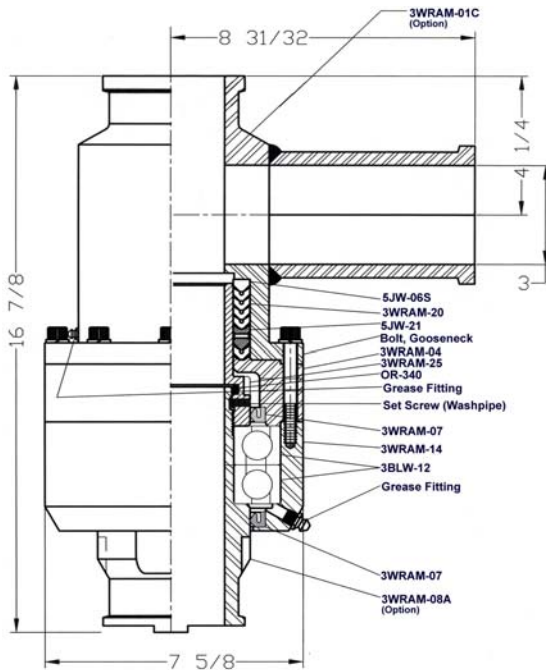
PART NUMBER	DESCRIPTION	WT/LBS	NUMBER REQ.	PRICE
6JW-04	GOOSENECK, 3" NPT FEMALE HOSE CONNECTION	18.00	1	754.45
6JW-04A	GOOSENECK, 4" NPT MALE HOSE CONNECTION	18.50	OPTION	931.41
6JW-05	+ PACKING	.25	2	15.34 ea
6JW-05-90	PACKING, 90 DURO	.25	OPTION	15.34 ea
6JW-05V	PACKING, VITON	.25	OPTION	59.33 ea
6JW-06	+ WEARBUSING	1.00	1	59.31
6JW-08	BEARING SPINDLE	8.00	1	527.44
5JW-07	+ HOUSING SEAL	.25	2	26.22 ea
5JW-07V	VITON PACKING	.25	OPTION	65.35 ea
5JW-11	BEARING RETAINER WIRE	.10	1	12.88
5JW-12	+ BEARING	8.00	2	279.26 ea
5JW-14	BEARING HOUSING	10.00	1	663.63
5JW-16HA-LB**	LOWER CONNECTION, 3" NPT LH BOX		1	452.93
5JW-16HA-RP	LOWER CONNECTION, 3" NPT RH PIN	15.00		452.93
5JW-17	+ SPINDLE THREAD SEAL	.25	1	18.48
6JW-40	MAINTENANCE KIT (8) 6JW-05, (1) 6JW-06			172.93
6JW-40R	REPAIR KIT + Included in Repair Kit			683.46

Other sizes of connections available, please consult factory.

Option for above swivel, may affect pricing of complete swivel. Other options available, please consult factory.



3WRAM ROTATING HEAD SPECIAL SWIVEL



- High Pressure Rotating Head
- Grease Lubricated Packing & Bearings
- Simple Bolt Together Design
- Optional Connections
- Alloy Steel Constructed

**SAFE WEIGHT CAPACITY
DESIGNED FOR PRESSURE LOAD ONLY**

TECHNICAL DATA

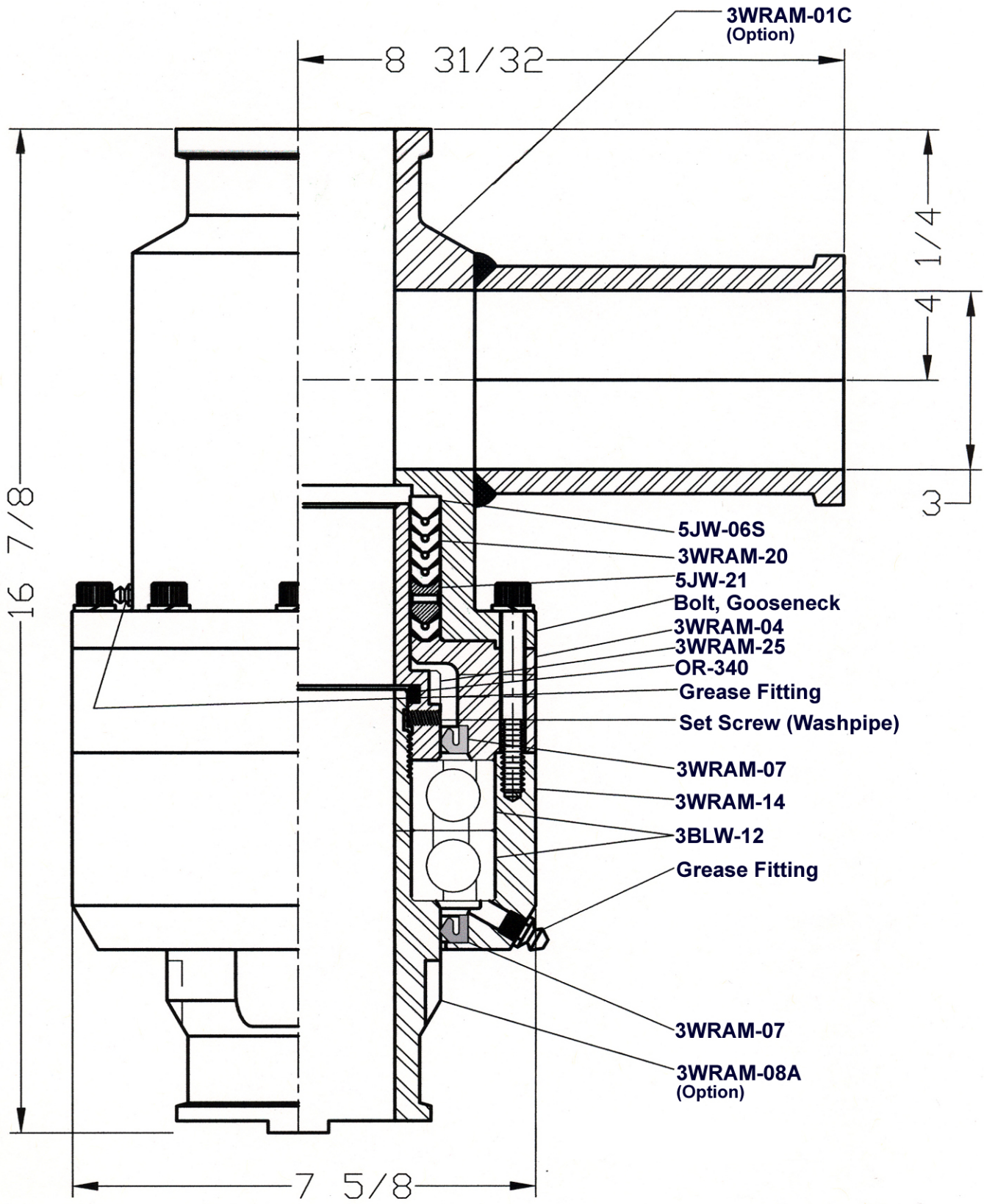
LENGTH	WIDTH	WEIGHT	UPPER CONN.	LOWER CONN.	SIDE CONN.	FLUID PASSAGE	WORKING PRESSURE
16 7/8	7 5/8	95 lbs.	Option	Option	Option	3"	To 3000 PSI

PARTS LIST

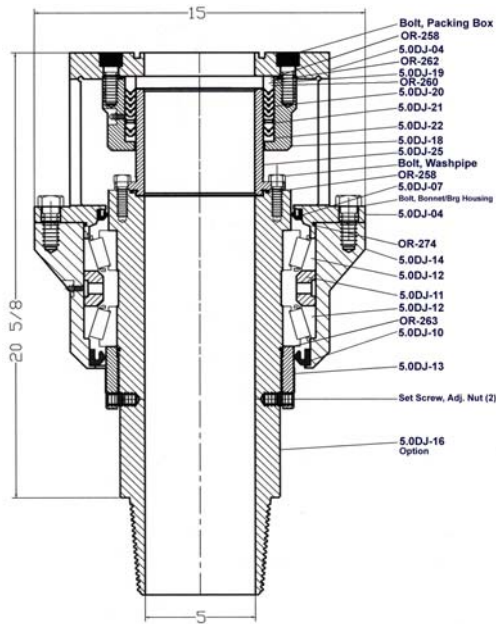
PART NUMBER	DESCRIPTION	WT/LBS	QTY. REQ.	PRICE
3WRAM-2400-XX	WESTERN ROTATING HEAD, 3" VICTOLIC STRAIGHT UP 3" VICTOLIC SIDE CONNECTION WITH 3" VICTOLIC LOWER CONNECTION		1	2875.20
3BLW-12	BEARING		2	217.93 ea
3WRAM-01C	GOOSENECK		1	949.43
3WRAM-04	ADAPTER, PACKING		1	405.50
3WRAM-07	HOUSING SEAL		2	33.43 ea
3WRAM-08A	SPINDLE, 3" VIC FLANGE		1	454.88
3WRAM-14	HOUSING, BEARING		1	437.28
3WRAM-20	PACKING SET		1	52.42
3WRAM-25	WASHPIPE		1	329.61
5JW-06S	PACKING SEAT RING (STEEL)		1	94.45
5JW-21	LANTERN RING		1	112.39
OR-340	O RING		1	4.00

Other sizes of connections available, please consult factory.

Option for above swivel, may affect pricing of complete swivel. Other options available, please consult factory.



5.0 DJ ROTATING HEAD “SPECIAL SWIVEL”



- Fluid Passage – 5” Maximum
- Adjustable tapered roller bearing
- Chevron V-Ring Packing
- Grease Lubricated – Bearings & Packing
- For Working Pressure to 2500 PSI

TECHNICAL DATA

LENGTH	WIDTH	WEIGHT	HOSE CONN.	LOWER CONN.	FLUID PASSAGE	WORKING PRESSURE
20 5/8”	15”	395	5”, 150 Flange	5 ½ IF (MOD)	To 5”	TO 1500 PSI

WEIGHT CAPACITY

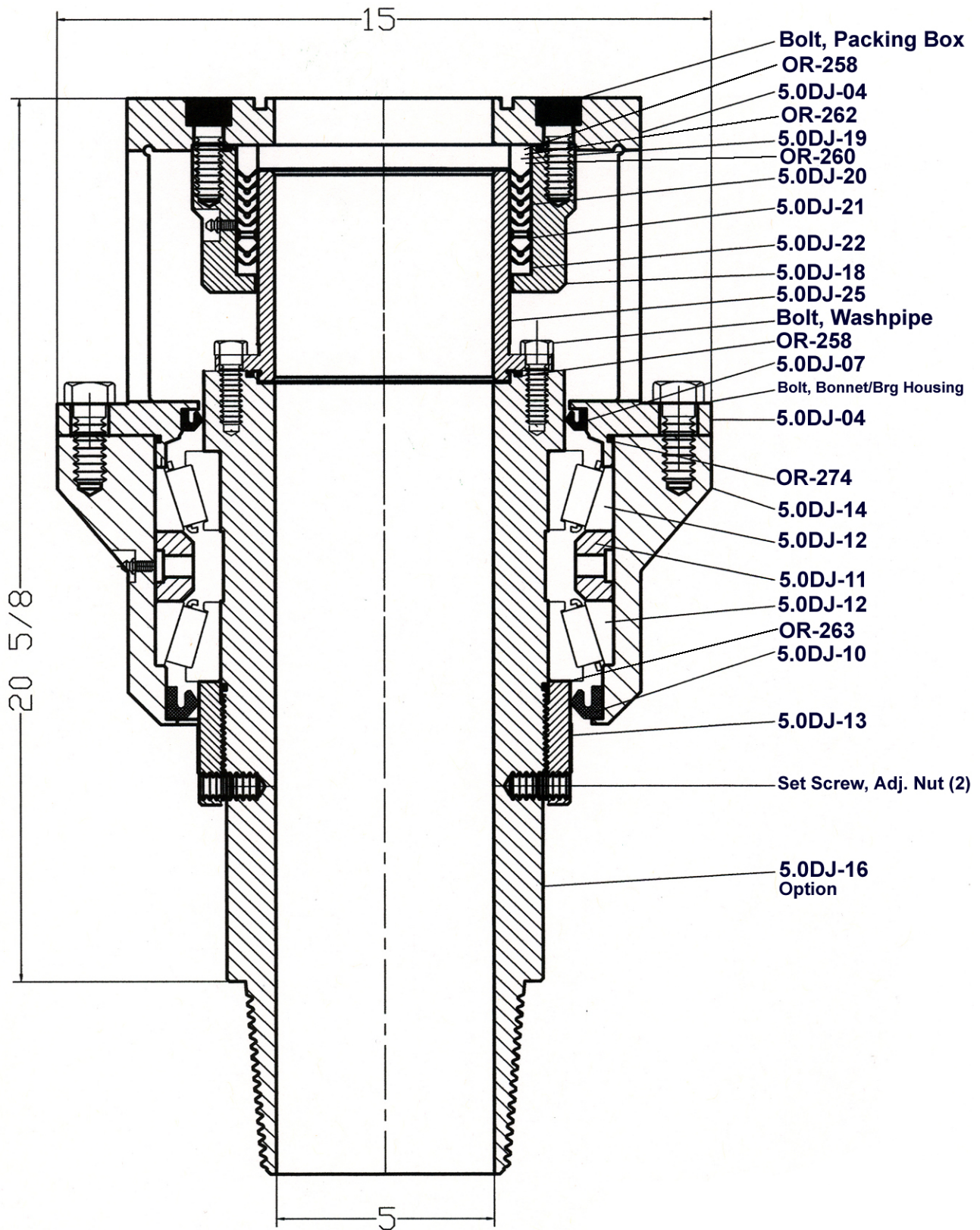
DESIGNED FOR PRESSURE LOAD ONLY

PARTS LIST

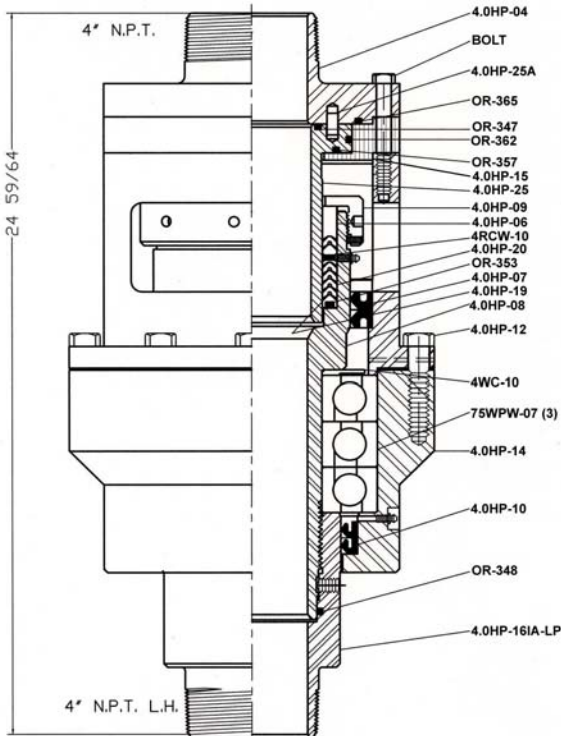
PART NUMBER	DESCRIPTION	WT/LBS	QTY. REQ.	PRICE
5.0DJ-2600-XX	WESTERN ROTATING HEAD, TO 5” ID, 5” FLANGED UPPER CONNECTION WITH O-RING GROOVE, 5 ½” IF (MOD) LH PIN LOWER CONNECTION			10,283.96
5.0DJ-04	BONNET		1	3164.32
5.0DJ-07	SEAL, UPPER		1	126.73
5.0DJ-10	SEAL, LOWER		1	126.73
5.0DJ-11	SPACER, BEARING		1	308.57
5.0DJ-12	BEARING (CUP & CONE)		2	CONSULT
5.0DJ-13	NUT, BEARING ADJUSTING		1	770.11
5.0DJ-14	HOUSING, BEARING		1	2410.13
5.0DJ-16	SPINDLE, 5 ½” IF (MOD) LH PIN		OPTION	2949.94
5.0DJ-18	BOX, PACKING		1	879.30
5.0DJ-19	GLAND, PACKING		1	227.74
5.0DJ-20	PACKING SET		1	64.73
5.0DJ-20-416	PACKING SET (LOW PRESSURE)		OPTION	100.00
5.0DJ-21	RING, LANTERN		1	168.02
5.0DJ-22	RING, PACKING SEAT		1	161.78
5.0DJ-25	WASHPIPE		1	493.38
OR-258	O RING, WASHPIPE / PKG BOX		2	4.00ea
OR-263	O RING, ADJ. NUT		1	4.00
OR-274	O RING, BONNET		1	4.00
OR-432	O RING, FLANGE		1	4.00
OR-262	O RING, PKG BOX		1	4.00
OR-260	O RING, PACKING GLAND		1	4.00

Other sizes of connections available, please consult factory.

Option for above swivel, may affect pricing of complete swivel. Other options available, please consult factory.



4.0HP “SPECIAL SWIVEL”



- High pressure rotating head
- 4" Fluid passage
- Adjustable Chevron V-ring packing
- Grease lubricated packing and bearings
- Floating washpipe (for better packing life)
- Alloy steel construction
- For directional drilling market
- Easy field service when necessary

TECHNICAL DATA

LENGTH	WIDTH	WEIGHT	HOSE CONN.	LOWER CONN.	FLUID PASSAGE	WORKING PRESSURE
25"			4" NPT	4" NPT	4"	TO 2500 PSI

**WEIGHT CAPACITY
DESIGNED FOR PRESSURE ONLY**

PARTS LIST

PART NUMBER	DESCRIPTION	WT/LBS	QTY. REQ.	PRICE
4.0HP-9600-01	WESTERN ROTATING HEAD, 4" NPT MALE HOSE CONNECTION, WITH 4" NPT LH MALE LOWER CONNECTION			CONSULT
4.0HP-04	GOOSENECK, 4" NPT MALE		1	CONSULT
4.0HP-06	PACKING SEAT RING		1	CONSULT
4.0HP-07	UPPER HOUSING SEAL		2	CONSULT ea
4.0HP-08	BEARING SPINDLE		1	CONSULT
4.0HP-09	PACKING ADJUSTING GLAND		1	CONSULT
4.0HP-10	LOWER HOUSING SEAL		2	CONSULT ea
4.0HP-12	BONNET		1	CONSULT
4.0HP-14	BEARING HOUSING		1	CONSULT
4.0HP-15	LOCK RING (WASHPIPE/GOOSENECK)		1	CONSULT
4.0HP-16IA-LP	LOWER CONNECTION, 4" NPT LH PIN		1	CONSULT
4.0HP-19	PACKING GLAND		1	CONSULT
4.0HP-20	PACKING SET		1	CONSULT
4.0HP-25	WASHPIPE		1	CONSULT
4.0HP-25A	DOWELLS, WASHPIPE		2	CONSULT ea
4RCW-10	LANTERN RING		1	CONSULT
4WC-10	BEARING SHIELD		1	CONSULT
75WPW-07	BEARING		3	CONSULT ea
OR-347	O-RING (WASHPIPE)		1	CONSULT
OR-348	O-RING (THREAD SEAL)		1	CONSULT
OR-353	O-RING (PACKING GLAND)		1	CONSULT
OR-357	O-RING (WASHPIPE)		1	CONSULT
OR-362	O-RING (WASHPIPE)		1	CONSULT
OR-365	O-RING (GOOSENECK)		1	CONSULT

Other sizes of connections available, please consult factory.

Option for above swivel, may affect pricing of complete swivel. Other options available, please consult factory.

