



WESTERN RUBBER AND MANUFACTURING SINCE 1977

Prices
Effective
May 15, 2008

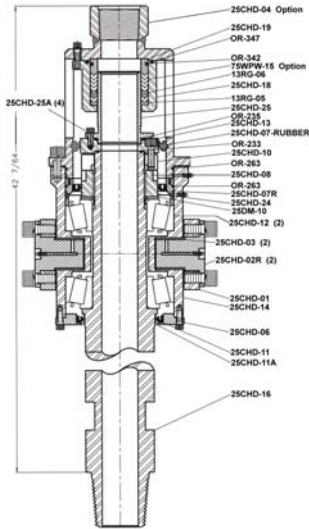
Oilfield

- | | | |
|--------------|-----------|--------|
| * 25CHD | * 25CHD-R | * 30NV |
| * 60PG | * 12NV | * 40PG |
| * 4CH | * 40PG-40 | * 7CH |
| * 60DWS | * 15NV | * 50PG |
| * 25CHD-50RR | * 30PG | * 5CH |
| * 12NV-40 | | |

7015 Old Hwy 105 W.
Conroe, TX 77304
Office (936) 588-3033 Fax (936) 588-3132
Toll Free (800) 367-5285

"SERVING THE WATER, MONITORING & ENERGY INDUSTRIES"

25CHD SWIVEL



- 2 ½ Fluid Passage
- For pulldown rigs
- Adjustable tapered roller bearings
- Grease lubricated packing & bearing
- Fits all TH60, T-3W and other drills

TECHNICAL

| LENGTH | WIDTH | WEIGHT | HOSE CONN. | LOWER CONN. | FLUID PASSAGE | WORKING PRESSURE |
|--------|--------|--------|------------|-------------|---------------|------------------|
| 45 ½ | 26 5/8 | 345 | 3" NPT | 3 ½" IF | 2 ½" | TO 1500 PSI |

WEIGHT CAPACITY

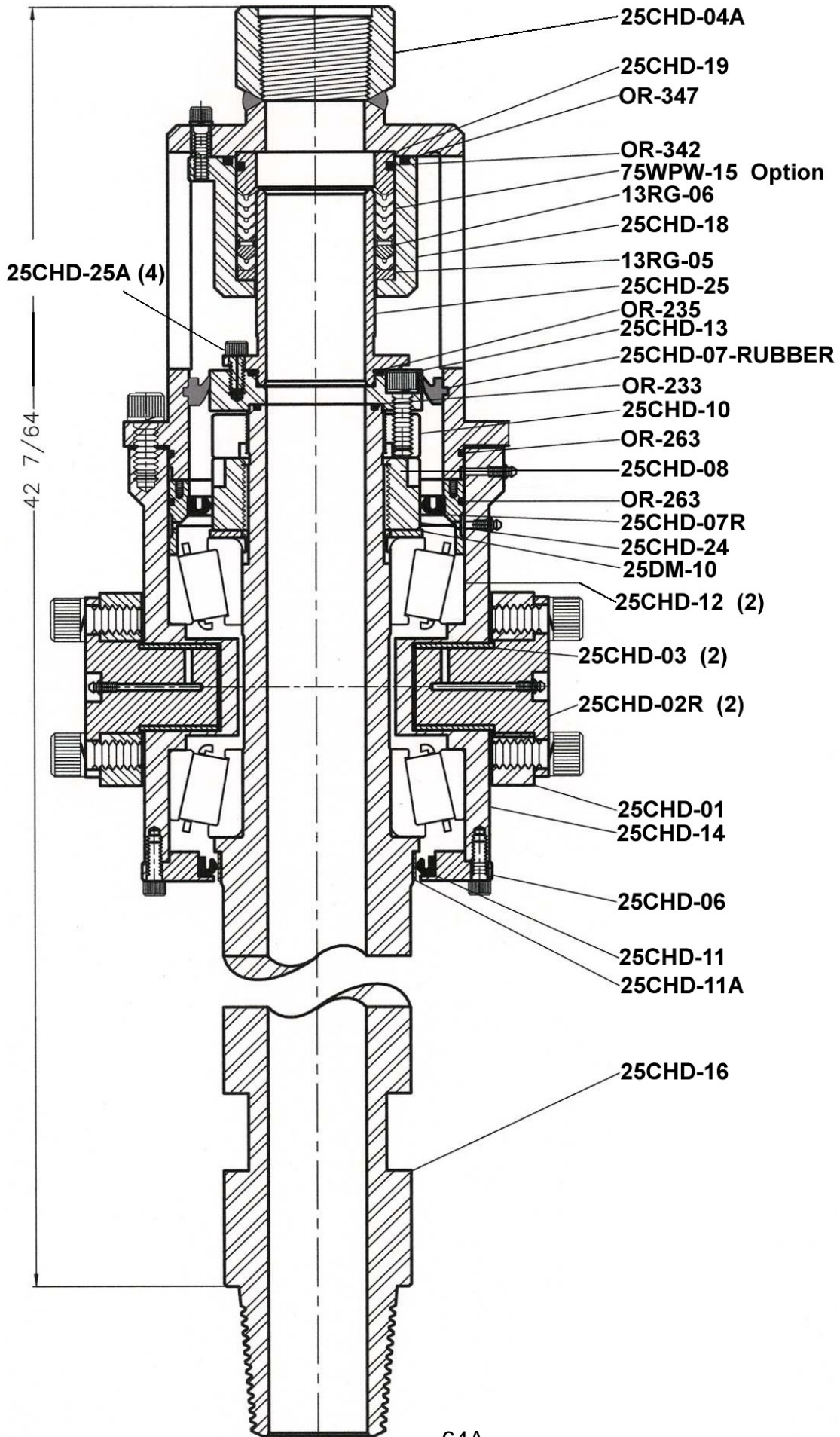
| STATIC | ROTATING |
|------------|----------------------|
| 90,000 LBS | 40,000 LBS @ 100 RPM |

PARTS LIST

| PART NUMBER | NAME | QTY. REQ. | PRICE |
|----------------------|---|-----------|-----------|
| 25CHD-8030-XX | (REVISED) SWIVEL WITH YOKE ASSEMBLY, 3" NPT FEMALE HOSE CONNECTION, STRAIGHT UP, CHEVRON (V-RING) PACKING, WITH 3 ½" IF LH PIN LOWER CONNECTION *FIXED PACKING, NO ADJUSTMENT* | | 9080.92 |
| 13RG-05 | PACKING SEAT RING | 1 | 79.36 |
| 13RG-06 | LANTERN RING | 1 | 103.75 |
| 25CHD-01 | YOKE ASSEMBLY | 1 | 1755.76 |
| 25CHD-02R | TRUNNION PINS | 2 | 357.06 ea |
| 25CHD-03 | BUSHING, TRUNNION PINS | 2 | 125.72 ea |
| 25CHD-04A | BONNET, 3" NPT FEMALE HOSE CONNECTION STRAIGHT UP | 1 | 1698.52 |
| 25CHD-06 | LOWER SEAL BOX | 1 | 396.37 |
| 25CHD-07R | SEAL, UPPER HOUSING (SEAL BOX) | 1 | 76.82 |
| 25CHD-07-RUBBER | SEAL, UPPER HOUSING (BONNET) | 1 | 27.15 |
| 25CHD-08 | BEARING ADJUSTING NUT | 1 | 418.90 |
| 25CHD-10 | BEARING LOCK NUT | 1 | 327.58 |
| 25CHD-11 | SEAL, LOWER HOUSING | 1 | 54.16 |
| 25CHD-11A | SLEEVE, LOWER WEAR | 1 | 51.13 |
| 25CHD-12 | BEARING (CUP AND CONE) | 2 | CONSULT |
| 25CHD-13 | ADAPTER, WASHPIPE | 1 | 347.39 |
| 25CHD-14 | BEARING HOUSING | 1 | 2125.13 |
| 25CHD-16 | SPINDLE, 3 ½" IF LH PIN | 1 | 2786.62 |
| 25CHD-18 | PACKING BOX | 1 | 528.00 |
| 25CHD-19 | PACKING GLAND | 1 | 136.92 |
| 25CHD-24 | SEAL BOX, UPPER | 1 | 507.41 |
| 25CHD-25 | WASHPIPE | 1 | 286.81 |
| 25CHD-25A | CAP SCREWS, WASHPIPE | 4 | 5.60 ea |
| 25CHD-26 | SLINGER RING | 1 | 14.07 |
| 25DM-10 | BEARING SHIELD | 1 | 212.17 |
| OR-234 | O RING, SPINDLE | 1 | 4.00 |
| OR-235 | O RING, WASHPIPE | 1 | 4.00 |
| OR-263 | O RING, SEAL BOX AND BONNET | 2 | 4.00 ea |
| OR-342 | O RING, PACKING GLAND | 1 | 4.00 |
| OR-347 | O RING, PACKING BOX | 1 | 4.00 |
| 75WPW-15 | PACKING | 1 | 52.42 |
| 75WPW-15-416 | PACKING (LOW PRESSURE) | OPTION | 78.88 |

Other sizes of connections available, please consult factory.

Option for above swivel, may affect pricing of complete swivel. Other options available, please consult factory.

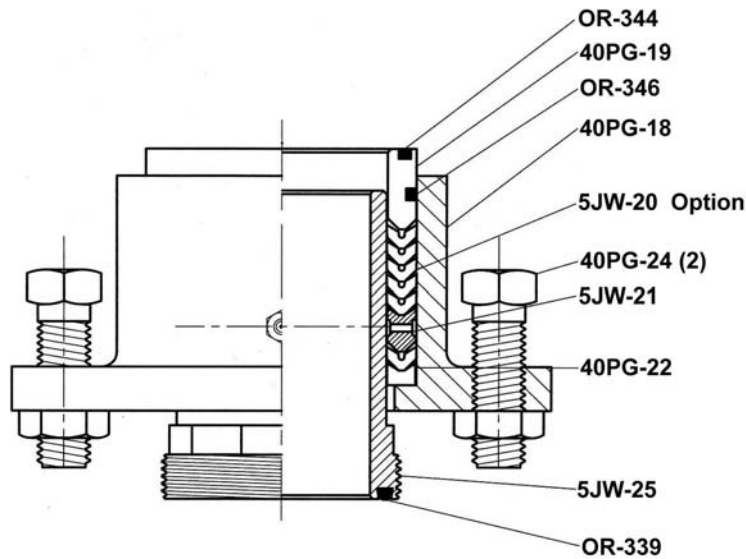


COMING SOON:

25CHD-50RR

**RUBBER RING
ASSEMBLY**

PACKING ASSEMBLY FOR 30 PG, 40 PG, 50 PG SWIVEL



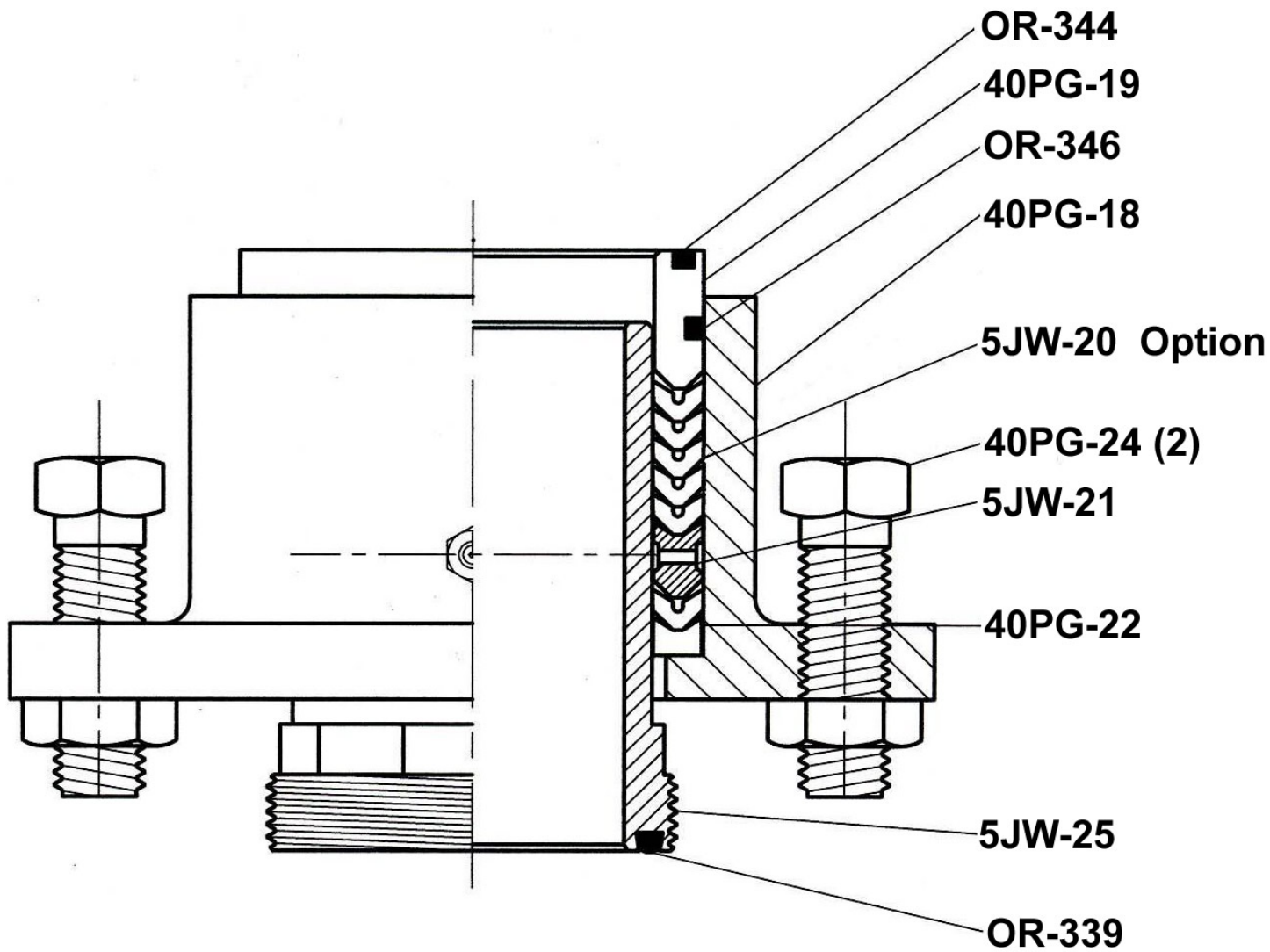
- Fits all KG and PG swivels
- Grease lubricated Chevron V-Ring Packing
- Adjustable

PARTS LIST

| PART NUMBER | NAME | QTY. REQ. | PRICE |
|----------------|---------------------------------|-----------|----------|
| 40PG-40 | PACKING ASSEMBLY (COMPLETE) | 1 | 1021.29 |
| 40PG-18 | PACKING BOX | 1 | 650.66 |
| 40PG-19 | PACKING GLAND | 1 | 124.60 |
| 5JW-20 | PACKING SET | 1 | 52.42 |
| 5JW-20-416 | PACKING SET (LOW PRESSURE) | Option | 78.88 |
| 5JW-21 | LANTERN RING | 1 | 112.39 |
| 40PG-22 | PACKING SEAT RING | 1 | 79.36 |
| 40PG-24 | PACKING ADJUSTING SCREW AND NUT | 2 | 13.94 ea |
| 5JW-25 | WASHPIPE | 1 | 217.30 |
| OR-339 | O RING (WASHPIPE) | 1 | 4.00 |
| OR-344 | O RING (PACKING GLAND) | 1 | 4.00 |
| OR-346 | O RING (PACKING GLAND) | 1 | 4.00 |

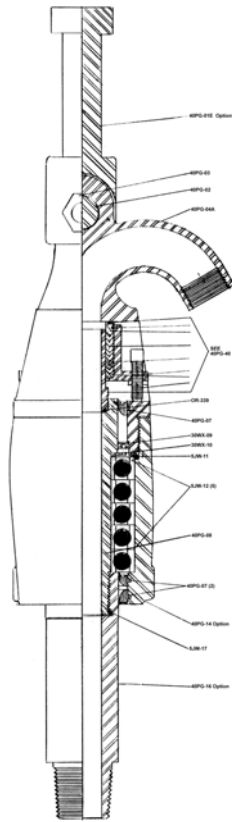
Other sizes of connections available, please consult factory.

Option for above swivel, may affect pricing of complete swivel. Other options available, please consult factory.



40PG SWIVEL

- For DEEP WATER WELL, WORKOVER, and SHALLOW OIL WELL Drilling
- Hardened ground WASHPIPE and CHEVRON (V-Ring) PACKING, grease lubricated
- Oversized WATERCOURSE, 3" ID
- Flexible BAIL or ELEVATOR SHANK available
- Adjustable Packing
- Packing can be changed quickly without disassembling swivel.
- Thrust ball bearings support drill pipe load while providing radial capacity.
- Seal Bearing Case with grease lubrication
- TRUNNION PINS available for pull down rigs
- Large choice of optional Lower Connections Threads
- Designed for easy field service and maintenance



TECHNICAL

| MODEL # | LENGTH OVERALL | WT/LBS EACH | HOSE CONN. FEMALE | LOWER CONN* PIN | WATER COURSE | WORKING PRESSURE | BAIL OPENING |
|---------|----------------|-------------|-------------------|------------------|--------------|------------------|--------------|
| 40PG | 57" | 347 | 3" NPT | 4-1/2" OD 8-V LH | MAX. 3" ID | To 1500 PSI | 6" X 14" |

SAFE WEIGHT LOADS

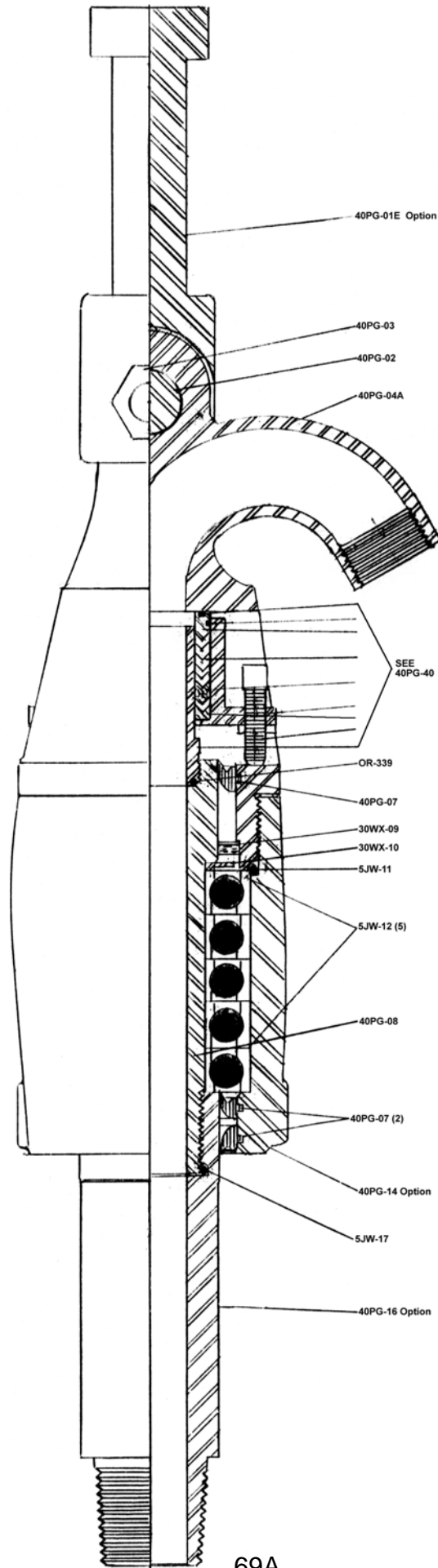
| MODEL # | STATIC LOAD | ROTATING LOAD | SAFE DEPTH | | | |
|---------|--------------|-----------------------|--------------|--------------|--------------|--------------|
| | | | 2-3/8", 6.65 | 2-7/8", 10.4 | 3-1/2", 13.3 | 4-1/2", 16.6 |
| 40PG | 140,000 LBS. | 71,000 LBS. @ 100 RPM | 8,000 FT | 5,000 FT | 3,800 FT | 3,000 FT |

PARTS LIST

| PART NUMBER | NAME | QTY. REQ. | PRICE |
|---------------------|---|-----------|-----------|
| 40PG-6000-XX | WESTERN SWIVEL, LESS BAIL OR ELEVATOR SHANK 3" NPT FEMALE HOSE CONNECTION, WITH 4 1/2" OD 8 V LH PIN LOWER CONNECTION | | 8105.26 |
| | ADD FOR BAIL | | 957.26 |
| | ADD FOR ELEVATOR SHANK (3 1/2" OD OR SMALLER) | | 2614.35 |
| | ADD FOR TRUNNION PINS | | 280.00 |
| | ADD FOR "SPECIAL" LOWER CONNECTION | | 375.00 |
| 40PG-01 | BAIL | Option | 957.26 |
| 40PG-01E | ELEVATOR SHANK (3 1/2" OR SMALLER) | Option | 2614.35 |
| 40PG-02 | BAIL PIN | 1 | 396.99 |
| 40PG-03 | BAIL PIN NUT | 2 | 35.73 ea |
| 40PG-04A | GOOSENECK, 3" NPT FEMALE HOSE CONNECTION | 1 | 2098.58 |
| 40PG-07 | HOUSING SEAL | 3 | 30.81 ea |
| 40PG-08 | BEARING SPINDLE | 1 | 1138.55 |
| 30WX-09 | SHIELD SEAL | 1 | 60.09 |
| 30WX-10 | BEARING SHIELD | 1 | 73.24 |
| 5JW-11 | BEARING RETAINER WIRE | 1 | 12.88 |
| 5JW-12 | BEARING UPTHRUST / DOWNTHRUST | 5 | 279.26 ea |
| 40PG-14B | BEARING HOUSING | 1 | 1768.75 |
| 40PG-14A | BEARING HOUSING W/PINS, 2" OD on 8 15/16" SHOULDERS | Option | 2048.75 |
| 15WX-15 | HOUSING LOCK BOLT AND NUT | 1 | 7.84 |
| 40PG-16KD-LP | LOWER CONNECTION, 4 1/2" OD 8V LH PIN | 1 | 1157.00 |
| 40PG-16JG-LP | LOWER CONNECTION, 3 1/2" FULL HOLE LH PIN | Option | 1532.00 |
| 40PG-16JE-LP | LOWER CONNECTION, 3 1/2" IF LH PIN | Option | 1532.00 |
| 5JW-17 | SPINDLE THREAD SEAL | 1 | 18.48 |
| 40PG-40 | PACKING CAPSULE | 1 | 1021.29 |

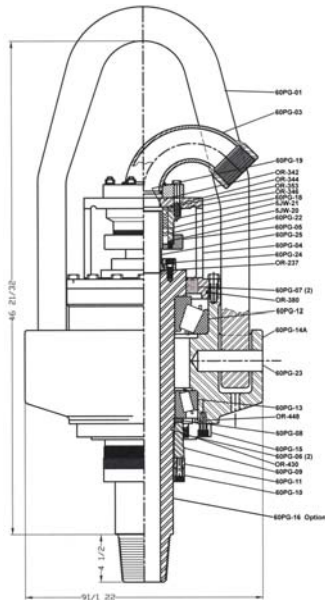
Other sizes of connections available, please consult factory.

Option for above swivel, may affect pricing of complete swivel. Other options available, please consult factory.



60 PG

- Designed for water well but oilfield tough
- Full 3" fluid passage
- Adjustable tapered roller bearing
- Oil lubricated bearings
- Adjustable, grease lubricated Chevron packing
- Available with trunnion pins for pulldown
- Floating washpipe



TECHNICAL

| LENGTH | WIDTH | WEIGHT | HOSE CONN. | LOWER CONN. | FLUID PASSAGE | WORKING PRESSURE |
|----------|---------|--------|------------|-------------|---------------|------------------|
| 46 21/32 | 22 1/16 | 995 | 3" NPT | 4" IF | 3" | TO 3000 PSI |

WEIGHT CAPACITY

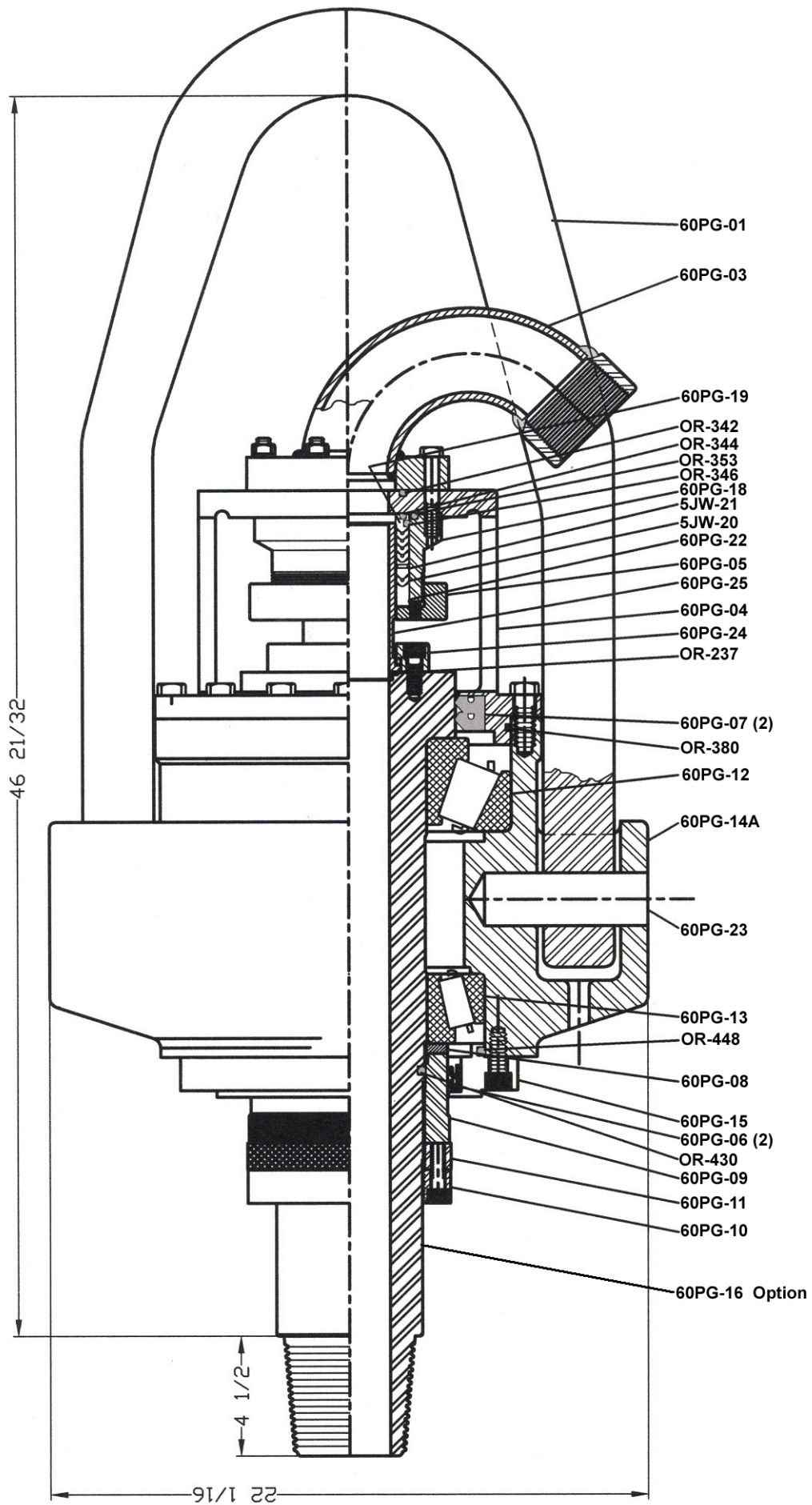
| STATIC | ROTATING |
|----------|----------------------|
| 87.5 TON | 81,000 LBS @ 100 RPM |

PARTS LIST

| PART NUMBER | NAME | QTY. REQ. | PRICE |
|---------------------|--|-----------|-----------|
| 60PG-6400-XX | SWIVEL WITH BAIL, 3" NPT FEMALE HOSE CONNECTION STRAIGHT OUT, WITH 2" OD TRUNNIONS PINS ON 14 1/4" SHOULDERS, WITH 4" IF LH PIN LOWER CONNECTION, 3" FLUID PASSAGE | | 20,141.00 |
| 60PG-01 | BAIL | 1 | 2038.81 |
| 60PG-03 | GOOSENECK ASSEMBLY, 3" NPT HOSE CONNECTION STRAIGHT OUT | 1 | 656.04 |
| 60PG-04 | BONNET | 1 | 3003.45 |
| 60PG-05 | PACKING ADJUSTMENT GLAND | 1 | 653.02 |
| 60PG-06 | LOWER HOUSING SEAL | 2 | 87.99 ea |
| 60PG-07 | UPPER HOUSING SEAL | 2 | 185.00 ea |
| 60PG-08 | BEARING SHIELD | 1 | 366.25 |
| 60PG-09 | BEARING ADJUSTING NUT | 1 | 598.56 |
| 60PG-10 | BEARING LOCK NUT | 1 | 492.10 |
| 60PG-11 | BEARING ADJUSTMENT NUT LOCK RING | 1 | 802.23 |
| 60PG-12 | BEARING, MAIN ASSEMBLY (CUP AND CONE) | 1 | CONSULT |
| 60PG-13 | BEARING, LOWER ASSEMBLY (CUP AND CONE) | 1 | CONSULT |
| 60PG-14A | BEARING HOUSING FOR BAIL | 1 | 7764.17 |
| 60PG-15 | OIL BOX | 1 | 1256.00 |
| 60PG-16IE-LP | SPINDLE, 4" IF LH PIN | 1 | 4581.83 |
| 60PG-18 | PACKING BOX | 1 | 886.17 |
| 60PG-19 | PACKING GLAND | 1 | 124.60 |
| 60PG-22 | PACKING SEAT RING | 1 | 106.72 |
| 60PG-23 | BAIL PINS | 2 | 259.48 ea |
| 60PG-24 | NUT, WASHPIPE HOLDDOWN | 1 | 676.76 |
| 60PG-25 | WASHPIPE | 1 | 319.56 |
| 5JW-20 | PACKING | 1 | 52.42 |
| 5JW-21 | LANTERN RING | 1 | 112.39 |
| OR-237 | O RING, WASHPIPE | 1 | 4.00 |
| OR-353 | O RING, PACKING BOX | 1 | 4.00 |
| OR-380 | O RING, BONNET | 1 | 4.00 |
| OR-430 | O RING (STEM/ADJUSTING NUT) | 1 | 4.00 |
| OR-448 | O RING (OIL BOX) | 1 | 4.00 |
| 6WC-02A | RETAINER, BAIL PIN | 2 | 7.55 ea |
| OR-342 | O RING (GOOSENECK) | 1 | 4.00 |
| OR-344 | O RING (PACKING GLAND) | 1 | 4.00 |
| OR-346 | O RING (PACKING GLAND) | 1 | 4.00 |

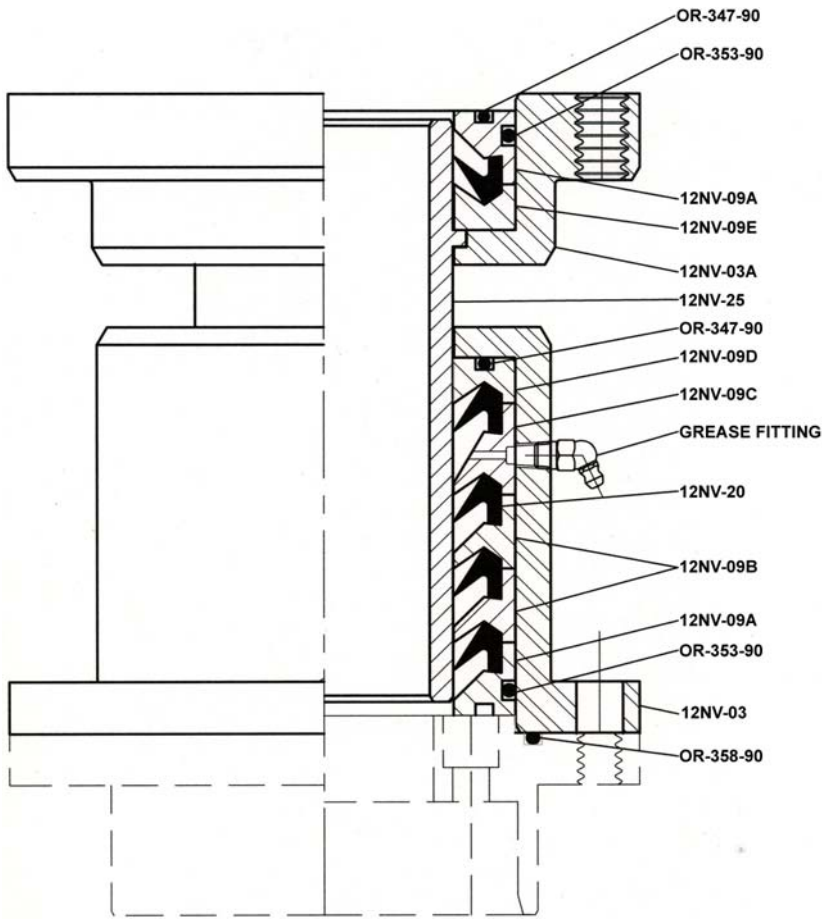
Other sizes of connections available, please consult factory.

Option for above swivel, may affect pricing of complete swivel. Other options available, please consult factory.



71A

12NV, 15NV, 30 NV PACKING CAPSULE



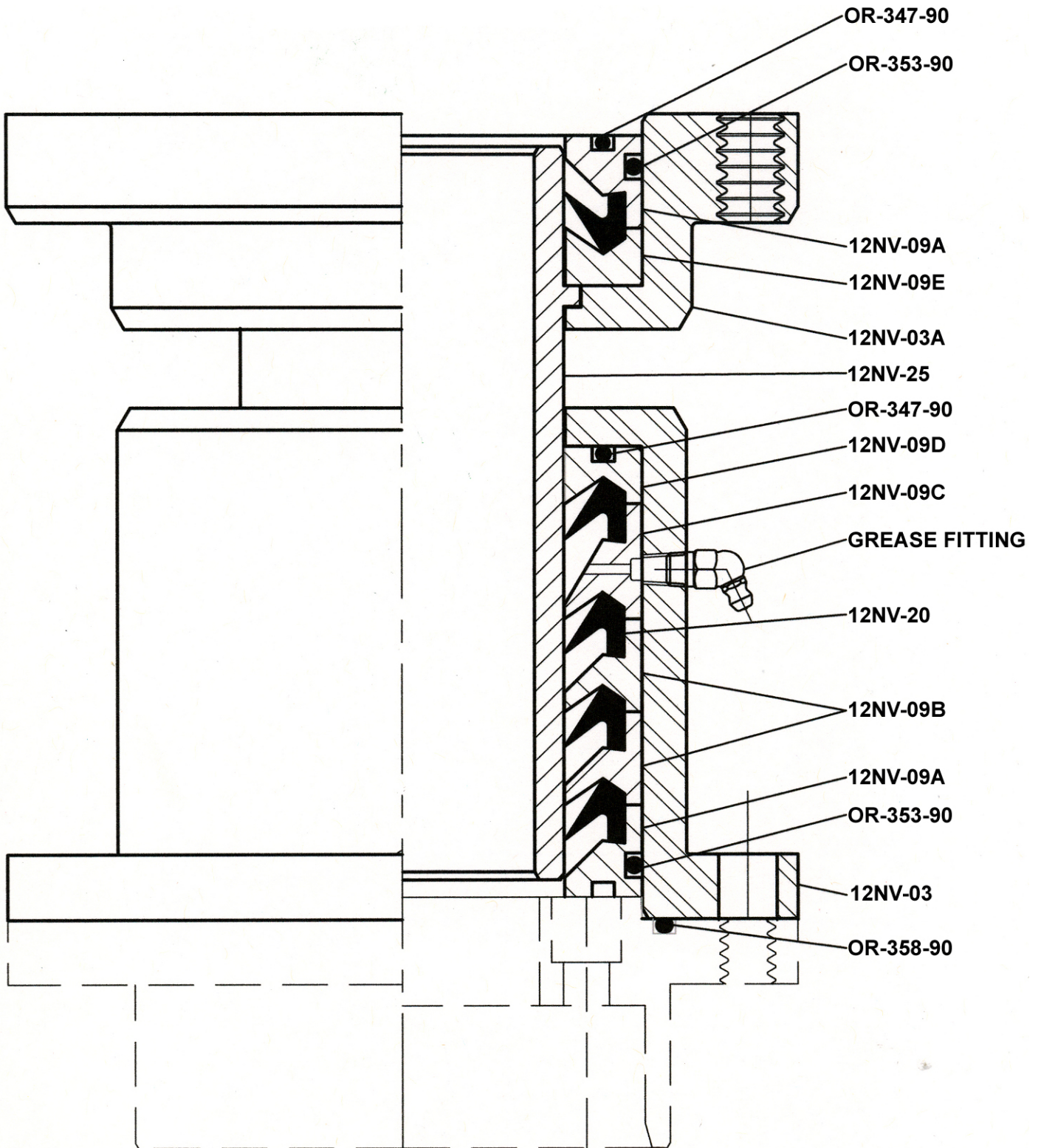
- Fits the "King" 15 MB, 25 MB, 35 MB, 50 MB

PARTS LIST

| PART NUMBER | NAME | QTY. REQ. | PRICE |
|----------------|--------------------------|-----------|-----------|
| 12NV-40 | PACKING CAPSULE COMPLETE | | 2310.10 |
| 12NV-03 | PACKOFF BOX | 1 | 616.45 |
| 12NV-03A | UPPER PACKING FLANGE | 1 | 489.37 |
| 12NV-09A | BOTTOM RING | 2 | 105.90 ea |
| 12NV-09B | SECOND & THIRD RING | 2 | 91.78 ea |
| 12NV-09C | GREASE RING | 1 | 103.54 |
| 12NV-09D | UPPER RING | 1 | 87.47 |
| 12NV-09E | UPPER LOCK RING | 1 | 297.75 |
| 12NV-25 | WASHPIPE | 1 | 309.78 |
| 12NV-20 | PACKING | 1 | 106.57 |
| OR-347-90 | O RING | 3 | 4.00 ea |
| OR-353-90 | O RING | 2 | 4.00 ea |
| OR-358-90 | O RING | 1 | 4.00 |
| | 1/8" NPT GREASE FITTING | 1 | 1.40 |

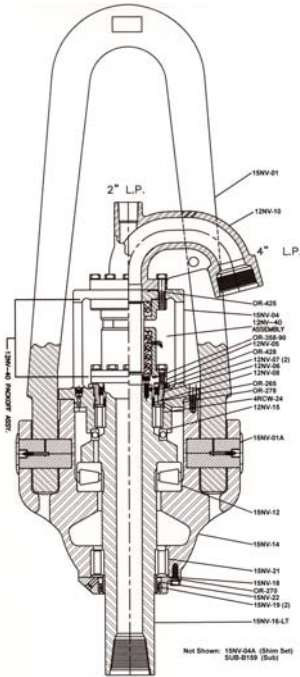
Other sizes of connections available, please consult factory.

Option for above swivel, may affect pricing of complete swivel. Other options available, please consult factory.



15 NV

- Oilfield tough
- Pressure seal lip type packing
- Ball bearing upthrust
- Main bearing – Full Apex roller
- Oil lubrication – 4.5 gallons
- Two (2) needle roller bearings for maximum shaft alignment
- Saver sub to 4 ½” Reg LH pin
- Shank adapter available



TECHNICAL

| LENGTH | WIDTH | WEIGHT | HOSE CONN. | LOWER CONN. | FLUID PASSAGE | WORKING PRESSURE |
|--------|-------|--------|---------------------|-----------------|---------------|------------------|
| 93" | 27" | 3960# | 4" FEMALE LINE PIPE | 5 ½" REG LH BOX | 3" | TO 4500 PSI |

WEIGHT CAPACITY

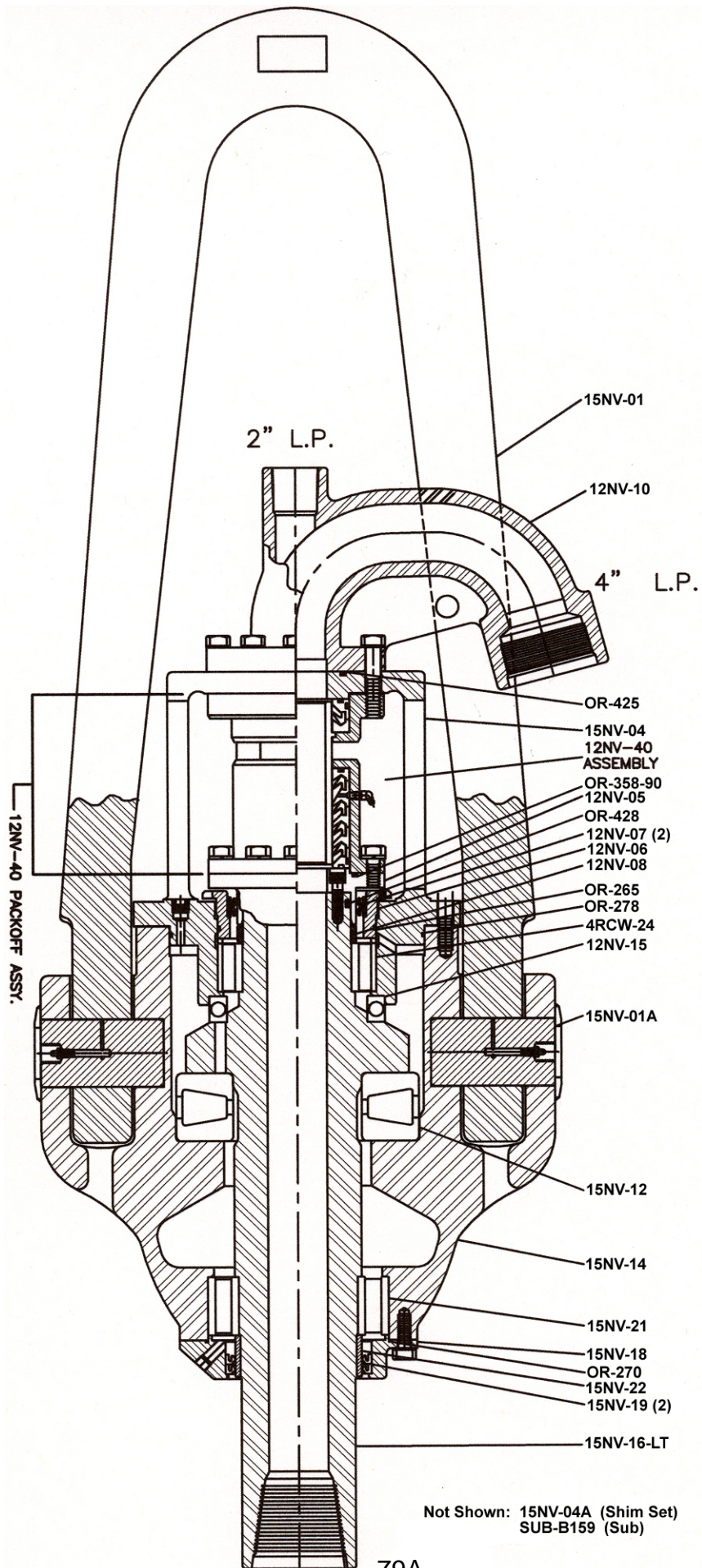
| STATIC | ROTATING |
|----------|-------------------------|
| 150 TONS | 97 TONS @ 100 RPM (API) |

PARTS LIST

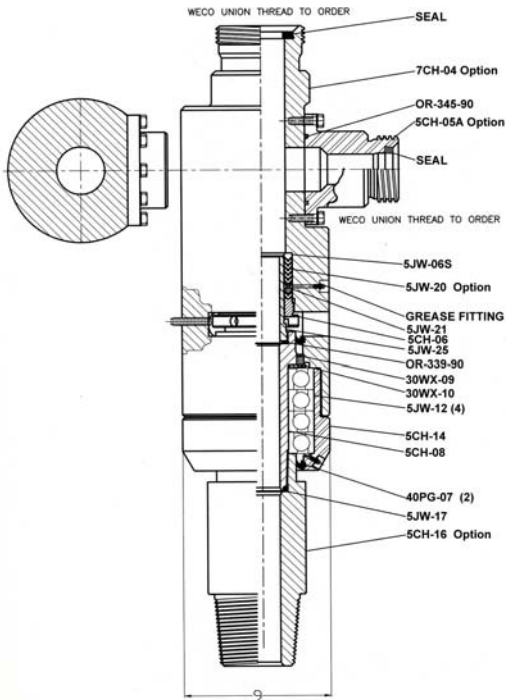
| PART NUMBER | NAME | QTY. REQ. | PRICE |
|---------------------|---|-----------|-----------|
| 15NV-6720-XX | SWIVEL, BAIL, 4" LINE PIPE HOSE CONNECTION, 2" NPT FEMALE WIRELINE PASSAGE, 4 ½" FULL HOLE LH BOX STEM WITH 6 5/8" REG LH PIN SAVER SUB | | 39,568.00 |
| 15NV-01 | BAIL | 1 | 6084.13 |
| 15NV-01A | BAIL PIN | 2 | 641.59 |
| 15NV-02 | RETAINER, BAIL PIN | 2 | 7.55 ea |
| 15NV-04 | BONNET | 1 | 5721.89 |
| 15NV-04A | SHIM SET | 1 | 517.52 |
| 12NV-05 | ADAPTER SPINDLE | 1 | 996.57 |
| 12NV-05A | BOLT, ADAPTER SPINDLE | 8 | 4.36 ea |
| 12NV-06 | RETAINER, BEARING | 1 | 925.77 |
| 12NV-07 | SEAL, UPPER HOUSING | 2 | 71.24 ea |
| 12NV-08 | SPACER, UPPER BEARING | 1 | 173.76 |
| 15NV-12 | BEARING, MAIN | 1 | CONSULT |
| 15NV-14 | HOUSING, BEARING | 1 | 11,394.17 |
| 15NV-14B | BUMPER PADS RUBBER | OPTION | 43.51 |
| 12NV-15 | BEARING, UPTHURST | 1 | CONSULT |
| 15NV-16-LT | STEM, 4 ½" FH LH BOX | 1 | 13,568.51 |
| 15NV-18 | BOX, LOWER OIL | 1 | 1405.08 |
| 15NV-19 | SEAL, LOWER OIL | 2 | 59.34 ea |
| 15NV-21 | BEARING, LOWER ALIGNMENT | 1 | CONSULT |
| 15NV-22 | SLEEVE, WEAR | 1 | 344.48 |
| 12NV-10 | GOOSENECK | 1 | 3972.00 |
| SUB-B159 | SUB, 4 ½" FH LH PIN BY 6 5/8" REG LH PIN | 1 | 3515.22 |
| 4RCW-24 | BEARING, UPPER ALIGNMENT | 1 | CONSULT |
| 12NV-40 | PACKING CAPSULE | 1 | 2310.10 |
| OR-425 | O RING (GOOSENECK) | 1 | 4.00 |
| OR-358-90 | O RING (SPINDLE ADAPTER) | 1 | 4.00 |
| OR-428 | O RING (STEM) | 1 | 4.00 |
| OR-265 | O RING (BEARING RETAINER) | 1 | 4.00 |
| OR-278 | O RING (BONNET) | 1 | 4.00 |
| OR-270 | O RING (OIL BOX) | 1 | 4.00 |

Other sizes of connections available, please consult factory.

Option for above swivel, may affect pricing of complete swivel. Other options available, please consult factory.



7CH – 10,000 PSI RATED



- Circulating head
- Alloy steel construction
- Angular contact ball bearing for ample pressure and radial load support
- Grease lubricated bearing
- Grease lubricated & adjustable Chevron packing
- Optional connections available

TECHNICAL

| LENGTH | WIDTH | WEIGHT | UPPER CONN. | HOSE CONN. | LOWER CONN. | FLUID PASSAGE | WORKING PRESSURE |
|--------|-------|--------|-----------------|-----------------|------------------|---------------|------------------|
| 38 | 9 | 315# | WECC TYPE UNION | WECC TYPE UNION | 4 1/2" IF RH PIN | 2 7/8 | TO 10,000 PSI |

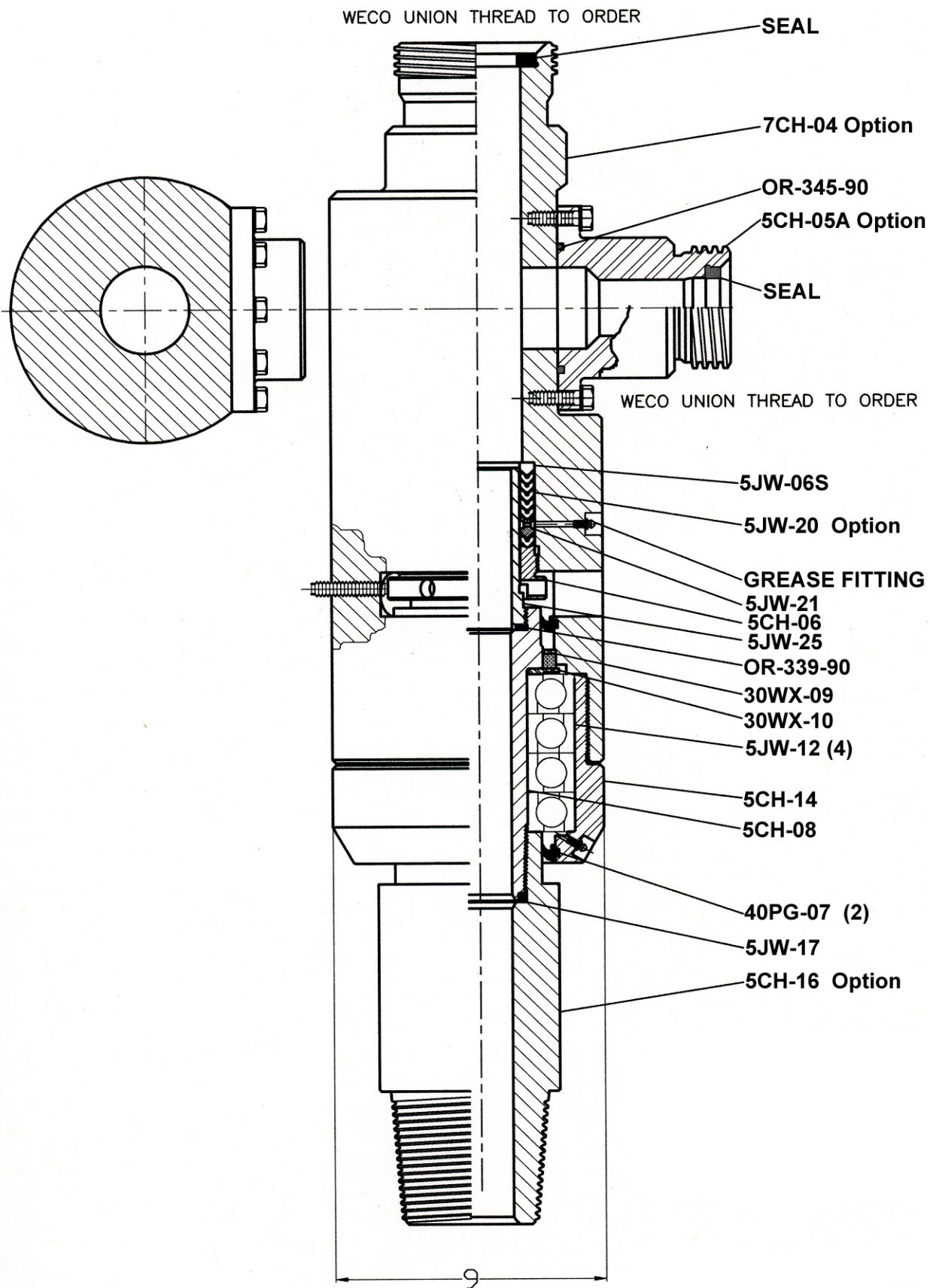
**WEIGHT CAPACITY
DESIGNED FOR PRESSURE LOAD ONLY**

PARTS LIST

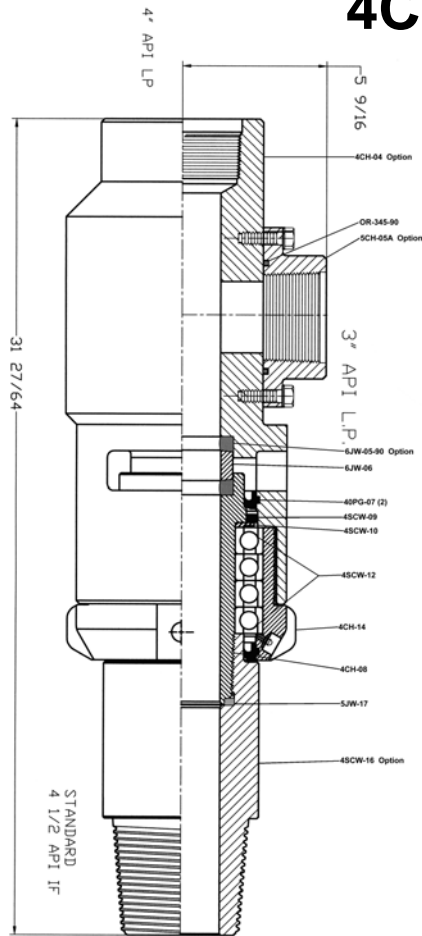
| PART NUMBER | NAME | QTY. REQ. | PRICE |
|-------------|--|-----------|-----------|
| 7CH-6930-XX | WESTERN CIRCULATING HEAD, INTEGRAL FEMALE SUB UNIONS FOR TOP AND BOLT ON (FLANGED) FEMALE SUB HOSE CONNECTION WITH 4 1/2" IF RH PIN LOWER CONNECTION | | 10,612.00 |
| | ADD FOR 3 1/2" IF RH PIN LOWER CONNECTION | | 250.00 |
| 7CH-04 | GOOSENECK | OPTION | CONSULT |
| 5CH-05C | HOSE CONNECTION, 3" 1502 FEMALE SUB | OPTION | CONSULT |
| 5JW-06S | ADAPTER, PACKING (STEEL) | 1 | 136.48 |
| 5JW-07 | SEAL HOUSING | 2 | 26.22 ea |
| 5CH-08 | SPINDLE, BEARING | 1 | 1027.62 |
| 30WX-09 | SEAL, SHIELD | 1 | 60.09 |
| 30WX-10 | SHIELD, BEARING | 1 | 73.24 |
| 5JW-12 | BEARING | 4 | 279.26 ea |
| 5CH-06 | GLAND, PACKING ADJUSTING | 1 | 251.37 |
| 5CH-14 | HOUSING, BEARING | 1 | 1335.34 |
| 5CH-16KE-RP | LOWER CONNECTION, 4 1/2" IF RH PIN | 1 | 1457.85 |
| 5CH-16JE-RP | LOWER CONNECTION, 3 1/2" IF RH PIN | OPTION | 1707.85 |
| 5JW-17 | SEAL, SPINDLE THREAD | 1 | 18.48 |
| 5JW-20-847 | PACKING SET (HIGH PRESSURE) | 1 | 214.85 |
| 5JW-20 | PACKING SET | OPTION | 52.42 |
| 5JW-21 | RING, LANTERN | 1 | 112.39 |
| 5JW-25 | WASHPIPE | 1 | 217.30 |
| OR-339-90 | O RING (WASHPIPE) | 1 | 4.00 |
| OR-345-90 | O RING (HOSE CONNECTION) | 1 | 4.00 |
| 15WX-15 | BOLT, HOUSING LOCK W/NUT | 1 | 7.84 |

Other sizes of connections available, please consult factory.

Option for above swivel, may affect pricing of complete swivel. Other options available, please consult factory.



4CH – 3,000 PSI RATED



- Circulating head
- Alloy steel construction
- Angular contact ball bearings for ample pressure and radial load support
- Grease lubricated bearing
- Optional connection available

TECHNICAL

| LENGTH | WIDTH | WEIGHT | UPPER CONN. | HOSE CONN. | LOWER CONN. | FLUID PASSAGE | WORKING PRESSURE |
|---------|-------|---------|--------------|---------------|-----------------|---------------|------------------|
| 34 1/2" | 11" | 232 LBS | 4" LP FEMALE | 3" NPT FEMALE | 4 1/2 IF RH PIN | 3" | TO 3000 PSI |

WEIGHT CAPACITY

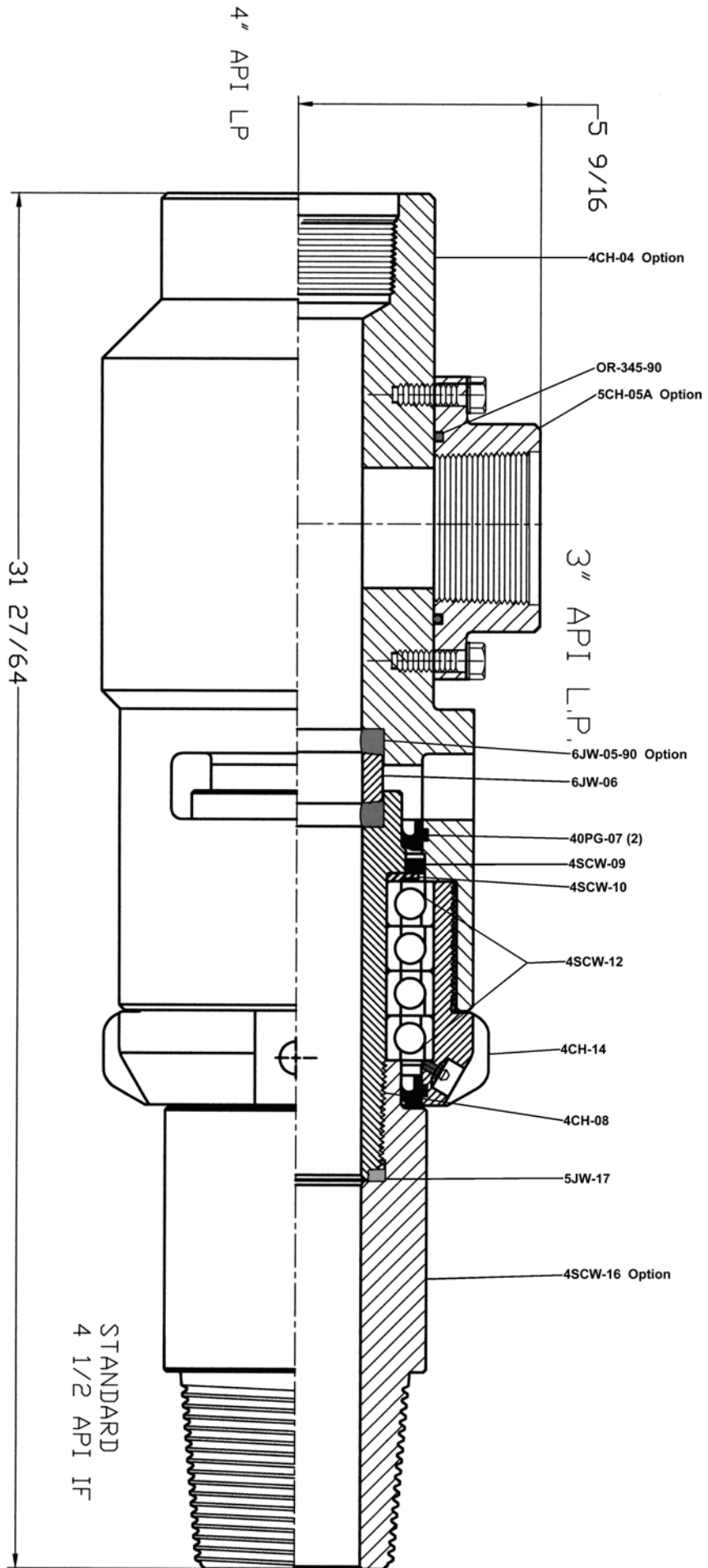
Designed for pressure load only

PARTS LIST

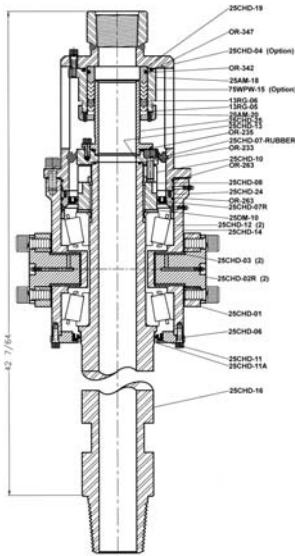
| PART NUMBER | NAME | QTY. REQ. | PRICE |
|--------------------|--|-----------|----------|
| 4CH-6910-XX | WESTERN CIRCULATING HEAD, 4" FEMALE LINE PIPE UPPER CONNECTION, 3" NPT FEMALE HOSE CONNECTION WITH 4 1/2" IF RH PIN LOWER CONNECTION | | 5348.00 |
| | ADD FOR 3 1/2" IF RH PIN LOWER CONNECTION | | 250.00 |
| 4CH-04 | GOOSENECK/BODY | 1 | 1300.40 |
| 6JW-05-90 | PACKING, 90 DURO | 2 | 15.34 ea |
| 6JW-06 | WEARBUSHING | 1 | 59.31 |
| 40PG-07 | HOUSING SEALS | 2 | 30.81 ea |
| 4CH-08 | BEARING SPINDLE | 1 | 1027.62 |
| 4SCW-09 | SHIELD SEAL | 1 | 60.09 |
| 4SCW-10 | BEARING SHIELD | 1 | 73.24 |
| 4SCW-12 | BEARINGS (UPTHRUST AND DOWNTHRUST) | 4 | CONSULT |
| 4CH-14 | BEARING HOUSING | 1 | 1005.71 |
| 15WX-15 | HOUSING LOCK BOLT AND NUT | 1 | 7.84 |
| 4SCW-16KE-RP | LOWER CONNECTION (4 1/2" IF RH PIN) | 1 | 1457.85 |
| 4SCW-16JE-RP | LOWER CONNECTION (3 1/2" IF RH PIN) | Option | 1707.85 |
| 5JW-17 | SPINDLE THREAD SEAL | 1 | 18.48 |
| 5CH-05A | CONNECTION, HOSE (3" NPT FEMALE) | 1 | 879.29 |
| OR-345-90 | O RING (HOSE CONNECTION) | 1 | 4.00 |

Other sizes of connections available, please consult factory.

Option for above swivel, may affect pricing of complete swivel. Other options available, please consult factory.



25CHD-R SWIVEL & PARTS



- 2 1/2" Fluid Passage
- For pulldown rigs
- Adjustable tapered roller bearings
- Adjustable Chevron packing
- Grease lubricated packing & bearing
- Fits all TH60, T-3W and other drills
- Bolt in packing capsule (Quick change)

TECHNICAL

| LENGTH | WIDTH | WEIGHT | HOSE CONN. | LOWER CONN. | FLUID PASSAGE | WORKING PRESSURE |
|--------|--------|--------|------------|-------------|---------------|------------------|
| 45 1/2 | 26 5/8 | 345 | 3" NPT | 3 1/2" IF | 2 1/2" | TO 1500 PSI |

WEIGHT CAPACITY

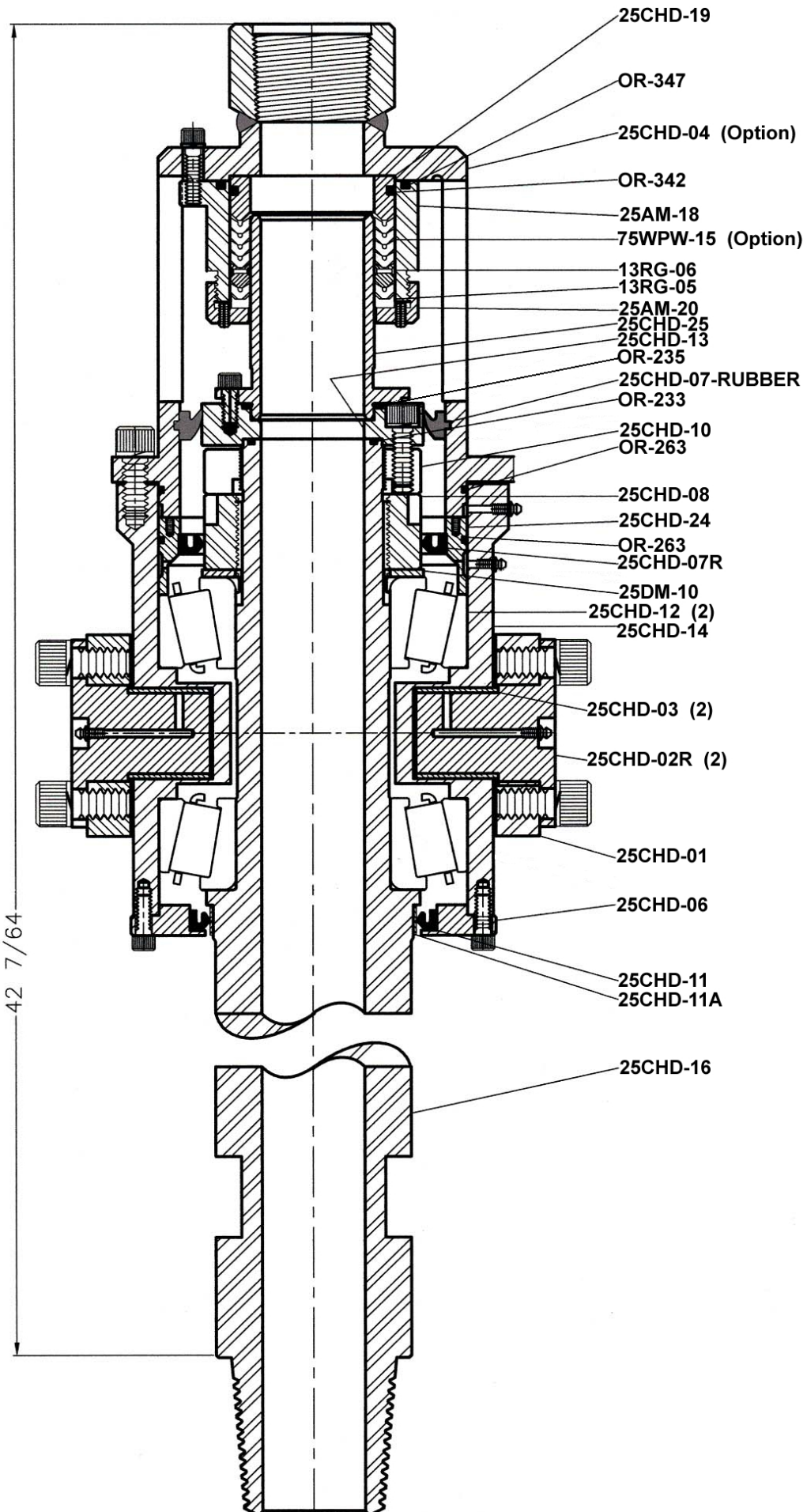
| STATIC | ROTATING |
|------------|----------------------|
| 90,000 LBS | 40,000 LBS @ 100 RPM |

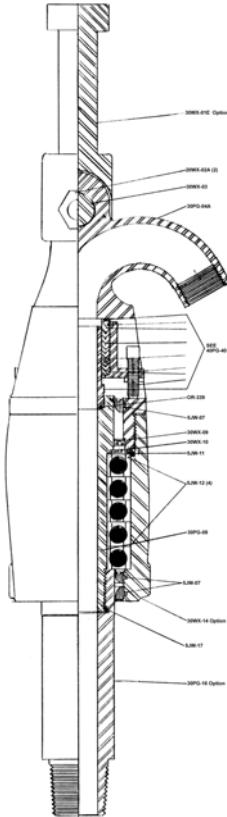
PARTS LIST

| PART NUMBER | NAME | QTY. REQ. | PRICE |
|------------------------|--|-----------|-----------|
| 25CHD-R-8011-XX | (REVISED) SWIVEL, WITH YOKE ASSEMBLY, 3" NPT FEMALE HOSE CONNECTION, STRIAIGHT UP, ADJUSTABLE CHEVRON (V-RING) PACKING , WITH 3 1/2" IF LH PIN CONNECTION | | 9474.58 |
| 13RG-05 | PACKING SEAT RING | 1 | 79.36 |
| 13RG-06 | LANTERN RING | 1 | 103.75 |
| 25CHD-01 | YOKE ASSEMBLY | 1 | 1755.76 |
| 25CHD-02R | TRUNNION PINS | 2 | 357.06 ea |
| 25CHD-03 | BUSHING, TRUNNION PINS | 2 | 125.72 ea |
| 25CHD-04 | BONNET, 3" NPT FEMALE HOSE CONNECTION STRAIGHT UP | 1 | 1698.52 |
| 25CHD-06 | LOWER SEAL BOX | 1 | 396.37 |
| 25CHD-07R | SEAL, UPPER HOUSING (SEAL BOX) | 1 | 76.82 |
| 25CHD-07-RUBBER | SEAL, UPPER HOUSING (BONNET) | 1 | 27.15 |
| 25CHD-08 | BEARING ADJUSTING NUT | 1 | 418.90 |
| 25CHD-10 | BEARING LOCK NUT | 1 | 327.58 |
| 25CHD-11 | SEAL, LOWER HOUSING | 1 | 54.16 |
| 25CHD-11A | SLEEVE, LOWER WEAR | 1 | 51.13 |
| 25CHD-12 | BEARING (CUP AND CONE) | 2 | CONSULT |
| 25CHD-13 | ADAPTER, WASHPIPE | 1 | 347.39 |
| 25CHD-14 | BEARING HOUSING | 1 | 2125.13 |
| 25CHD-16 | SPINDLE, 3 1/2" IF LH PIN | 1 | 2786.62 |
| 25AM-18 | PACKING BOX | 1 | 813.90 |
| 25CHD-19 | PACKING GLAND | 1 | 136.92 |
| 25AM-20 | PACKING ADJUSTING GLAND | 1 | 743.85 |
| 25CHD-24 | SEAL BOX, UPPER | 1 | 507.41 |
| 25CHD-25 | WASHPIPE | 1 | 286.81 |
| 25CHD-25A | CAP SCREWS, WASHPIPE | 4 | 5.60 ea |
| 25CHD-26 | SLINGER RING | 1 | 14.07 |
| 25DM-10 | BEARING SHIELD | 1 | 212.17 |
| OR-234 | O RING, SPINDLE | 1 | 4.00 |
| OR-235 | O RING, WASHPIPE | 1 | 4.00 |
| OR-263 | O RING, SEAL BOX AND BONNET | 2 | 4.00 ea |
| OR-342 | O RING, PACKING GLAND | 1 | 4.00 |
| OR-347 | O RING, PACKING BOX | 1 | 4.00 |
| 75WPW-15 | PACKING | 1 | 52.42 |
| 75WPW-15-416 | PACKING (LOW PRESSURE) | 1 | 78.88 |

Other sizes of connections available, please consult factory.

Option for above swivel, may affect pricing of complete swivel. Other options available, please consult factory.





30PG Uses Only
Four (4) Bearings

30PG SWIVEL

- For DEEP WATER WELL, WORKOVER, and SHALLOW OIL WELL Drilling
- Hardened ground WASHPIPE and CHEVRON (V-Ring) PACKING, grease lubricated
- Oversized WATERCOURSE, 3" ID
- Flexible BAIL or ELEVATOR SHANK available
- Adjustable Packing
- Packing can be changed quickly without disassembling swivel.
- Thrust ball bearings support drill pipe load while providing radial capacity.
- Seal Bearing Case with grease lubrication
- TRUNNION PINS available for pull down rigs
- Large choice of optional Lower Connections Threads
- Designed for easy field service and maintenance

TECHNICAL

| MODEL # | LENGTH OVERALL | WT/LBS EACH | HOSE CONN. FEMALE | LOWER CONN* PIN | WATER COURSE | WORKING PRESSURE | BAIL OPENING |
|---------|----------------|-------------|-------------------|------------------|--------------|------------------|--------------|
| 30PG | 45" | 225 | 3" NPT | 4-1/2" OD 8-V LH | MAX. 3" ID | To 1500 PSI | 5" X 8" |

SAFE WEIGHT LOADS

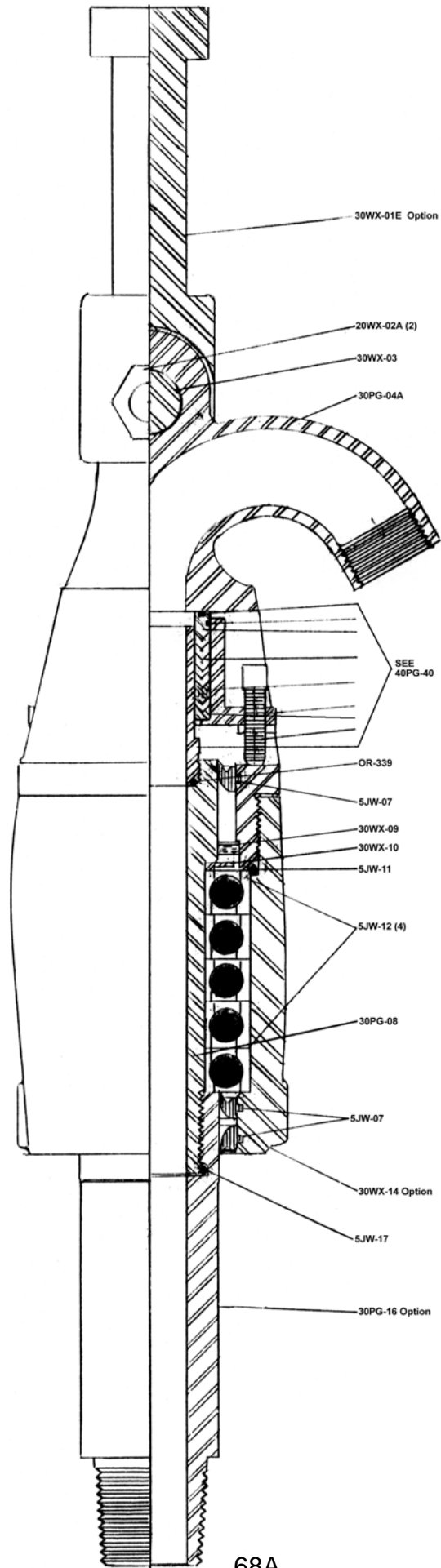
| MODEL # | STATIC LOAD | ROTATING LOAD | SAFE DEPTH | | | |
|---------|-------------|-----------------------|--------------|--------------|--------------|--------------|
| | | | 2-3/8", 6.65 | 2-7/8", 10.4 | 3-1/2", 13.3 | 4-1/2", 16.6 |
| 30PG | 95,000 LBS. | 60,000 LBS. @ 100 RPM | 6,400 FT | 4,000 FT | 3,400 FT | 2,600 FT |

PARTS LIST

| PART NUMBER | NAME | QTY. REQ. | PRICE |
|---------------------|---|-----------|-----------|
| 30PG-6500-XX | WESTERN SWIVEL, LESS BAIL OR ELEVATOR SHANK, 3" NPT FEMALE HOSE CONNECTION, WITH 4 1/2" OD 8V LH PIN LOWER CONNECTION | | 6979.27 |
| | ADD FOR BAIL | | 828.72 |
| | ADD FOR ELEVATOR SHANK (3 1/2" OD OR SMALLER) | | 1983.42 |
| | ADD FOR PULLDOWN TRUNNION PINS | | 280.00 |
| | ADD FOR "SPECIAL LOWER CONNECTION | | 375.00 |
| 30WX-01 | BAIL | Option | 828.72 |
| 30WX-01E | ELEVATOR SHANK (3 1/2" OD OR SMALLER) | Option | 1983.42 |
| 30WX-02 | BAIL PIN | 1 | 271.85 |
| 20WX-02A | BAIL PIN NUT | 2 | 10.92 ea |
| 30PG-04A | GOOSENECK, 3" NPT FEMALE HOSE | 1 | 2038.36 |
| 5JW-07 | HOUSING SEAL | 2 | 26.22 ea |
| 30PG-08 | BEARING SPINDLE | 1 | 1027.62 |
| 30WX-09 | SHIELD SEAL | 1 | 60.09 |
| 30WX-10 | BEARING SHIELD | 1 | 73.24 |
| 5JW-11 | BEARING RETAINER WIRE | 1 | 12.88 |
| 5JW-12 | BEARING | 4 | 279.26 ea |
| 30WX-14 | BEARING HOUSING | 1 | 1768.75 |
| 30WX-14A | BEARING HOUSING W/PINS, 2" OD on 8 15/16" SHOULDERS | Option | 2048.75 |
| 15WX-15 | HOUSING BOLT AND NUT | 1 | 7.84 |
| 30PG-16KD-LP | LOWER CONNECTION, 4 1/2" OD 8V LH PIN | 1 | 1157.00 |
| 30PG-16JG-LP | LOWER CONNECTION, 3 1/2" FULL HOLE LH PIN | Option | 1532.00 |
| 5JW-17 | SPINDLE THREAD SEAL | 1 | 18.48 |
| 40PG-40 | PACKING CAPSULE | 1 | 1021.29 |

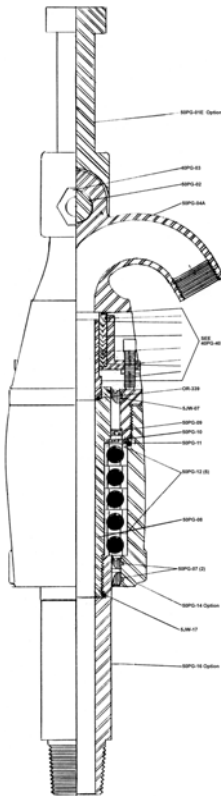
Other sizes of connections available, please consult factory.

Option for above swivel, may affect pricing of complete swivel. Other options available, please consult factory.



68A

50PG SWIVEL



- For DEEP WATER WELL, WORKOVER, and SHALLOW OIL WELL Drilling
- Hardened ground WASHPIPE and CHEVRON (V-Ring) PACKING, grease lubricated
- Oversized WATERCOURSE, 3" ID
- Flexible BAIL or ELEVATOR SHANK available
- Adjustable Packing
- Packing can be changed quickly without disassembling swivel.
- Thrust ball bearings support drill pipe load while providing radial capacity.
- Seal Bearing Case with grease lubrication
- TRUNNION PINS available for pull down rigs
- Large choice of optional Lower Connections Threads
- Designed for easy field service and maintenance

TECHNICAL

| MODEL # | LENGTH OVERALL | WT/LBS EACH | HOSE CONN. FEMALE | LOWER CONN* PIN | WATER COURSE | WORKING PRESSURE | BAIL OPENING |
|---------|----------------|-------------|-------------------|-----------------|--------------|------------------|--------------|
| 50PG | 63" | 512 | 3" NPT | 4-1/2" REG. LH | MAX. 3" ID | To 1500 PSI | 7" X 16" |

SAFE WEIGHT LOADS

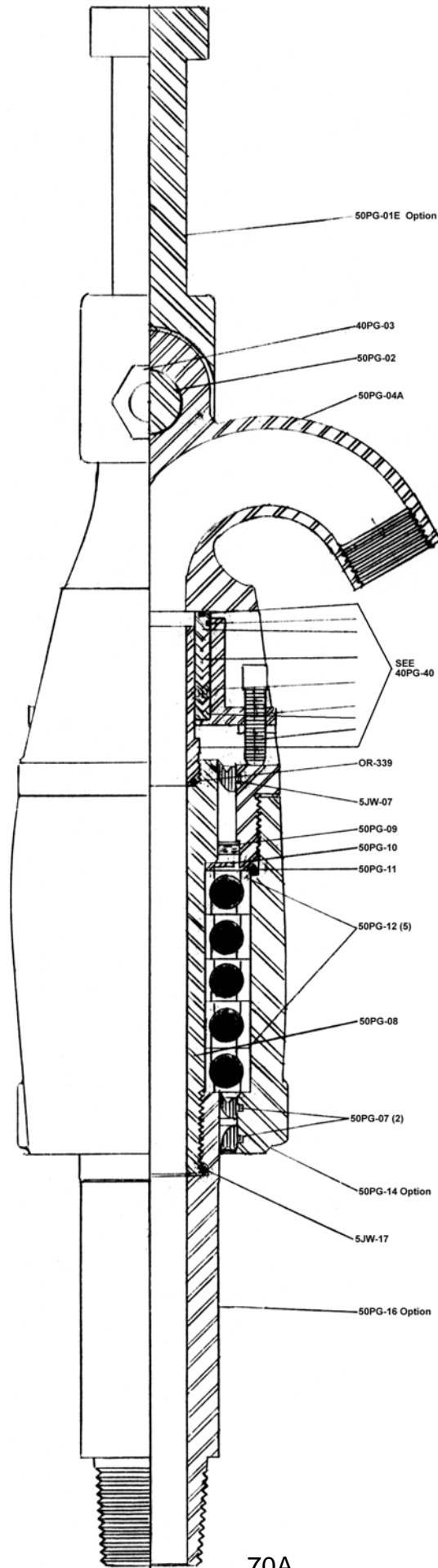
| MODEL # | STATIC LOAD | ROTATING LOAD | SAFE DEPTH | | | |
|---------|-------------|--------------------------|--------------|--------------|--------------|--------------|
| | | | 2-3/8", 6.65 | 2-7/8", 10.4 | 3-1/2", 13.3 | 4-1/2", 16.6 |
| 50PG | 160,000 LBS | 87,000 LBS. @ 100 RPM | 10,000 FT | 6,200 FT | 4,800 FT | 3,800 FT |

PARTS LIST

| PART NUMBER | NAME | QTY. REQ. | PRICE |
|---------------------|---|-----------|-----------|
| 50PG-6300-XX | WESTERN SWIVEL, LESS BAIL, 3" NPT FEMALE HOSE CONNECTION. WITH 4 1/2" REGULAR LH PIN LOWER CONNECTION | | 10,347.83 |
| | ADD FOR BAIL | | 1705.63 |
| | ADD FOR ELEVATOR SHANK (3 1/2" OR SMALLER) | | 2614.35 |
| | ADD FOR PULLDOWN TRUNNION PINS | | 950.00 |
| | ADD FOR 6 5/8" REGULAR LH PIN LWR. CONN. | | 750.00 |
| 50PG-01 | BAIL | Option | 1705.63 |
| 50PG-01E | ELEVATOR SHANK (3 1/2" OR SMALLER) | Option | 2614.35 |
| 50PG-02 | BAIL PIN | 1 | 396.99 |
| 40PG-03 | BAIL PIN NUTS | 2 | 35.73 ea |
| 50PG-04A | GOOSENECK, 3" NPT FEMALE HOSE CONNECTION | 1 | 3229.21 |
| 5JW-07 | UPPER HOUSING SEAL | 1 | 26.22 |
| 50PG-07 | LOWER HOUSING SEAL | 2 | 27.15 ea |
| 50PG-08 | BEARING SPINDLE | 1 | 1869.75 |
| 50PG-09 | FELT SEAL | 1 | 13.66 |
| 50PG-10 | BEARING SHIELD | 1 | 98.11 |
| 50PG-11 | BEARING RETAINER WIRE | 1 | 18.03 |
| 50PG-12 | BEARINGS | 5 | 428.03 ea |
| 50PG-14 | BEARING HOUSING | 1 | 3095.54 |
| 50PG-14A | BEARING HOUSING WITH TRUNNION PINS | Option | 4045.54 |
| 15WX-15 | HOUSING LOCK BOLT AND NUT | 1 | 7.84 |
| 50PG-16KF-LP | LOWER CONNECTION, 4 1/2" REGULAR LH PIN | 1 | 2252.49 |
| 50PG-160F-LP | LOWER CONNECTION, 6 5/8" REGULAR LH PIN | Option | 3002.49 |
| 5JW-17 | SPINDLE THREAD SEAL | 1 | 18.48 |
| 40PG-40 | PACKING CAPSULE | 1 | 1021.29 |

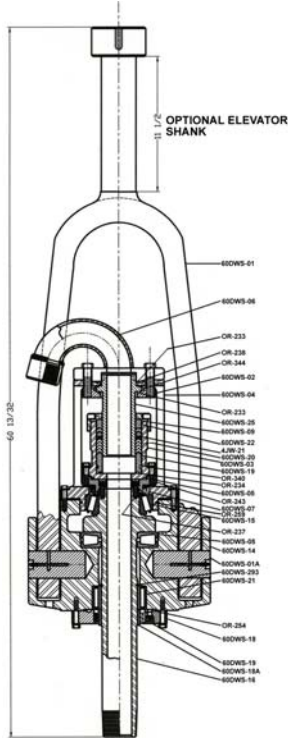
Other sizes of connections available, please consult factory.

Option for above swivel, may affect pricing of complete swivel. Other options available, please consult factory.



70A

60DWS



- Designed for well servicing and shallow oilfield drilling
- Grease lubricated Chevron packing
- Floating (self aligning) washpipe
- Oil lubricated bearings
- Three (3) bearing design:
Tapered roller-upthrust/alignment
Full apex roller – main
Needle roller – alignment

TECHNICAL

| PACKING | LENGTH | WT/LB | HOSE CONN. | LOWER CONN. | WORKING PRESSURE | FLUID OPENING |
|---------|----------|-------|------------|--------------|------------------|---------------|
| Chevron | 60 13/32 | 400 | 2 1/2" NPT | 2 7/8 EUE LH | TO 3000 PSI | 2" |

WEIGHT CAPACITY

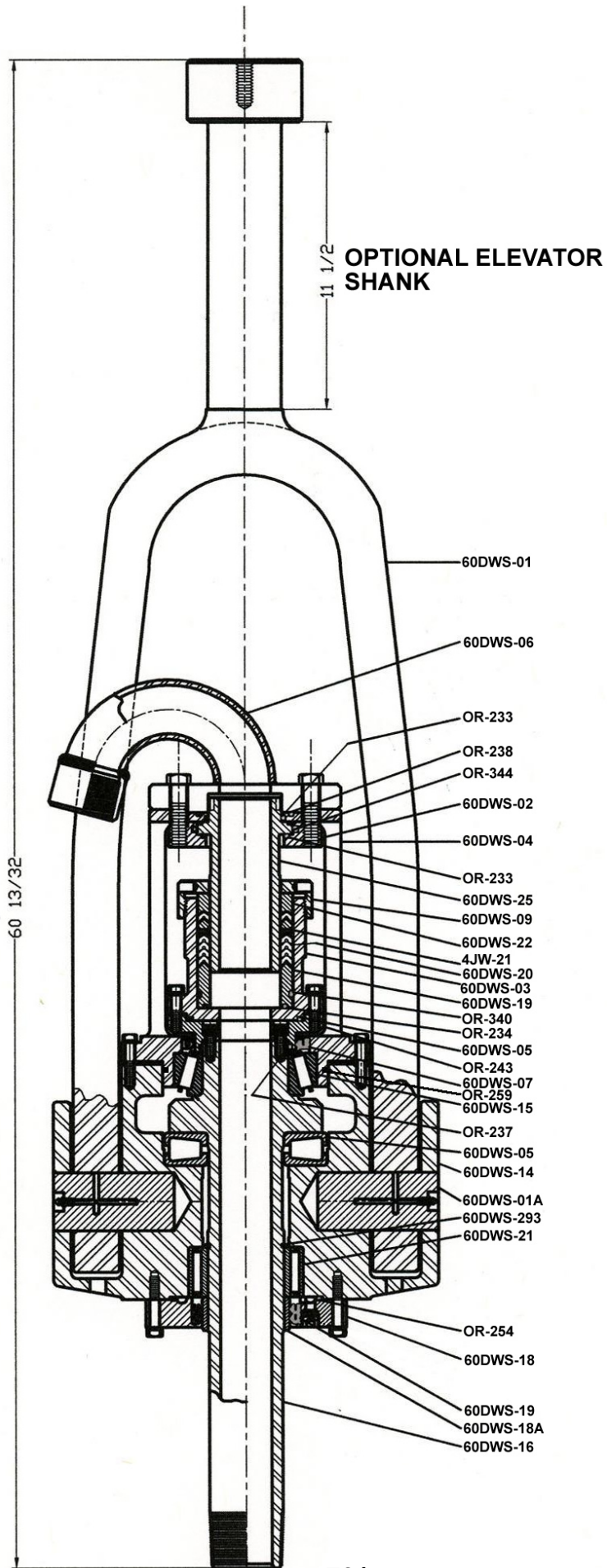
| STATIC LOAD | ROTATING LOAD | DRILL DEPTH | SIZE/WT/LB |
|-------------|------------------|--------------------|--------------------------------|
| 120,000 | 60,000 @ 100 RPM | 6000 FT 4000 FT | 2 3/8" / 6.65 2 7/8" / 10.4 |

PARTS LIST

| PART NUMBER | NAME | QTY. REQ. | PRICE |
|---------------|----------------------------|-----------|----------|
| 60DWS-01 | BAIL | OPTION | |
| 60DWS-06 | GOOSENECK | OPTION | |
| OR-259 | O RING | 2 | C |
| OR-344 | O RING | 1 | |
| 60DWS-02 | UPPER FLANGE | 1 | O |
| 60DWS-04 | BONNET | 1 | |
| OR-233 | O RING | 1 | N |
| 60DWS-25 | WASHPIPE | 1 | |
| 60DWS-09 | GLAND, PACKING ADJ. | 1 | S |
| OR-340 | O RING | 2 | |
| 60DWS-19 | GLAND, PACKING | 1 | U |
| 4JW-21 | RING, LANTERN | 1 | |
| 60DWS-20 | PACKING SET | 1 | L |
| 60DWS-03 | BOX, PACKING | 1 | |
| 60DWS-22 | RING, PACKING SEAT | 1 | T |
| OR-238 | O RING | 1 | |
| 60DWS-05 | ADAPTER, SPINDLE | 1 | |
| OR-243 | O RING | 1 | |
| 60DWS-07 | SEAL, UPPER | 1 | |
| OR-237 | O RING | 1 | |
| 60DWS-14 | HOUSING, BEARING | 1 | |
| 60DWS-01A | PIN, BAIL | 2 | |
| 60DWS-293 | RING, RETAINER | 1 | |
| 60DWS-15 | BEARING, UPPER | 1 | |
| 60DWS-05 | BEARING, MAIN | 1 | |
| 60DWS-21 | BEARING, LOWER | 1 | |
| OR-254 | O RING | 1 | |
| 60DWS-18 | BOX, OIL | 1 | |
| 60DWS-19 | SEAL, LOWER | 2 | |
| 60DWS-18A | SLEEVE, WEAR | 1 | |
| 60DWS-16GU-LP | SPINDLE, 2 7/8" EUE LH PIN | 1 | |
| OR-233 | O RING | 1 | |

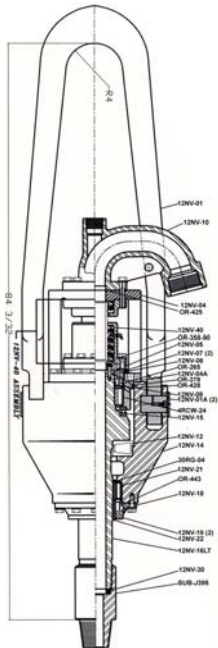
Other sizes of connections available, please consult factory.

Option for above swivel, may affect pricing of complete swivel. Other options available, please consult factory.



76A

12 NV DRILLING SWIVEL (120 TON)



- Oilfield tough
- Pressure seal lip type packing
- Ball bearing upthrust
- Main bearing – Full Apex roller
- Oil lubrication – 2.5 gallons
- Two (2) needle roller bearings for maximum shaft alignment
- Saver sub to 4 ½ Reg LH pin or optional 6 5/8” Reg LH pin
- Shank adapter available

TECHNICAL

| LENGTH | WIDTH | WEIGHT | HOSE CONN. | LOWER CONN. | FLUID PASSAGE | WORKING PRESSURE |
|--------|-------|--------|------------|-------------------------|---------------|------------------|
| 84 | 22" | 1950 | 4" L.P. | 4 ½" EUE 8 RD LH PIN | 3 | TO 4500 PSI |

WEIGHT CAPACITY

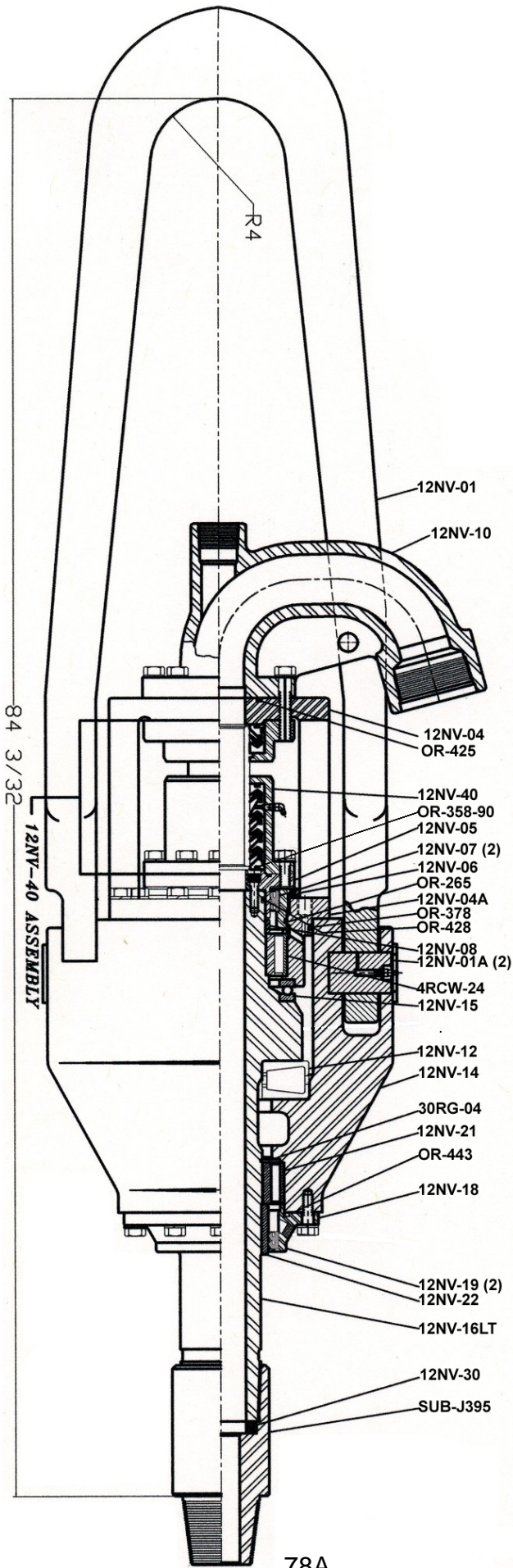
| STATIC | ROTATING |
|----------|-------------------------|
| 120 TONS | 78 TONS @ 100 RPM (API) |

PARTS LIST

| PART NUMBER | NAME | QTY. REQ. | PRICE |
|---------------------|---|-----------|-----------|
| 12NV-6710-XX | SWIVEL, BAIL, 4" LINE PIPE HOSE CONNECTION, 2" NPT FEMALE WIRELINE PASSAGE, 4 ½" REG LH PIN SAVER SUB | | 33,500.00 |
| 12NV-01 | BAIL | 1 | 4120.82 |
| 12NV-01A | BAIL PIN | 2 | 641.59 ea |
| 12NV-02 | RETAINER, BAIL PIN | 2 | 7.55 ea |
| 12NV-04 | BONNET | 1 | 4484.02 |
| 12NV-04A | SHIM SET | 1 | 451.97 |
| 12NV-05 | ADAPTER, SPINDLE | 1 | 517.52 |
| 12NV-05A | BOLT, ADAPTER SPINDLE | 8 | 4.36 ea |
| 12NV-06 | BEARING RETAINER | 1 | 925.77 |
| 12NV-07 | UPPER HOUSING SEAL | 2 | 71.24 ea |
| 12NV-08 | UPPER BEARING SPACER | 1 | 173.76 |
| 12NV-12 | BEARING, MAIN | 1 | CONSULT |
| 12NV-14 | BEARING HOUSING | 1 | 10,159.40 |
| 12NV-15 | UPTHRUST BEARINGS | 1 | CONSULT |
| 12NV-16LT | STEM, 4 ½" EUE LH PIN | 1 | 12,360.22 |
| 12NV-18 | LOWER OIL BOX | 1 | 1400.20 |
| 12NV-19 | LOWER OIL SEALS | 2 | 62.04 ea |
| 12NV-21 | LOWER ALIGNMENT BEARING ASSEMBLY | 1 | CONSULT |
| 12NV-22 | WEAR SLEEVE | 1 | 344.48 |
| 12NV-30 | SUB SEAL | 1 | 18.56 |
| 12NV-10 | GOOSENECK | 1 | 3972.00 |
| SUB-B131 | SUB, 4 ½" EUE LH BOX by 4 ½" REG LH PIN | OPTION | 2189.00 |
| 30RG-04 | BEARING RETAINER | 1 | 23.52 |
| 4RCW-24 | UPPER ALIGNMENT BEARING | 1 | CONSULT |
| OR-265 | O RING | 1 | 4.00 |
| OR-378 | O RING (BONNET) | 1 | 4.00 |
| OR-425 | O RING (GOOSENECK) | 1 | 4.00 |
| OR-428 | O RING (SPINDLE) | 1 | 4.00 |
| OR-443 | O RING (OIL BOX) | 1 | 4.00 |
| 12NV-40 | PACKING CAPSULE | 1 | 2310.10 |

Other sizes of connections available, please consult factory.

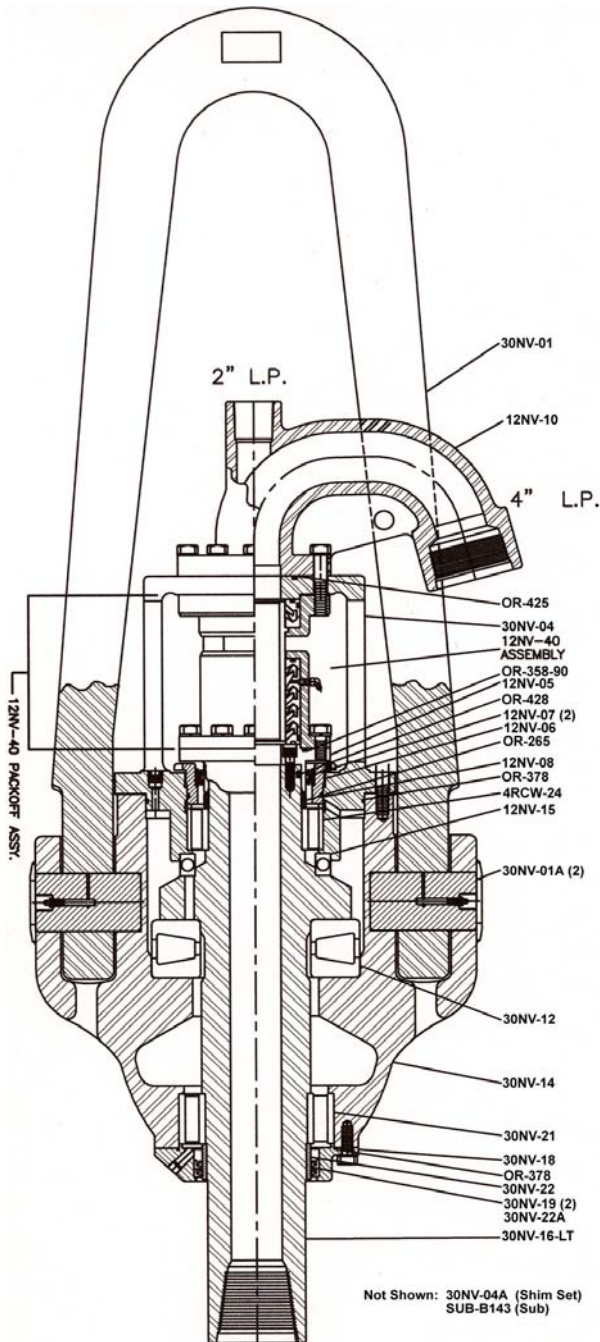
Option for above swivel, may affect pricing of complete swivel. Other options available, please consult factory.



78A

30 NV

- Oilfield tough
- Pressure seal lip type packing
- Ball bearing upthrust
- Main bearing – Full Apex roller
- Oil lubrication – 7 gallons
- Two (2) needle roller bearings for maximum shaft alignment
- Saver sub to 6 5/8 Reg LH pin
- Shank adapter available



TECHNICAL

| LENGTH | WIDTH | WEIGHT | HOSE CONN. | LOWER CONN. | FLUID PASSAGE | WORKING PRESSURE |
|--------|-------|--------|------------|-------------------|---------------|------------------|
| 93" | 33" | 3960 | 4" LP 8-rd | 5 1/2" REG LH BOX | 3" | TO 4500 PSI |

WEIGHT CAPACITY

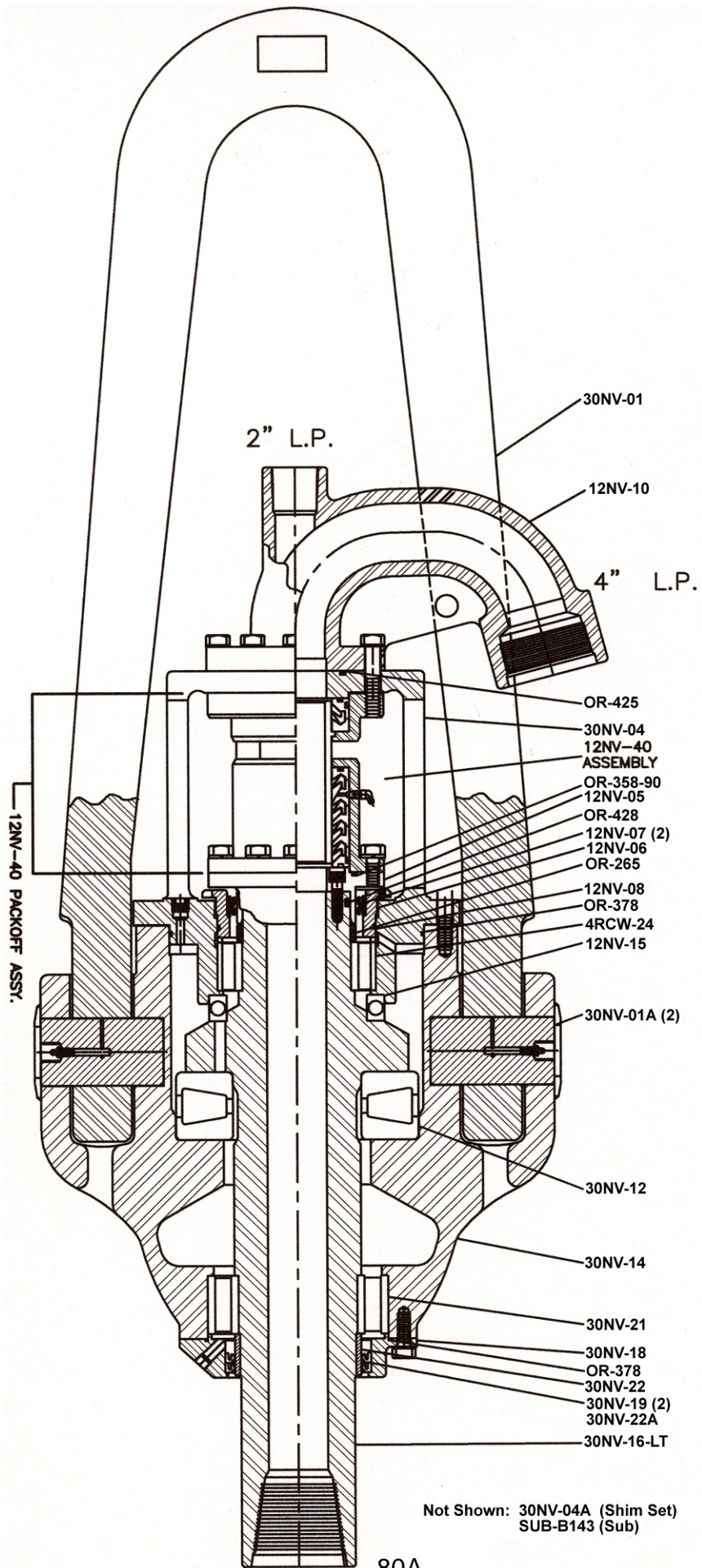
| STATIC | ROTATING |
|----------|--------------------------|
| 300 TONS | 193 TONS @ 100 RPM (API) |

PARTS LIST

| PART NUMBER | NAME | QTY. REQ. | PRICE |
|--------------|---|-----------|-----------|
| 30NV-6720-XX | SWIVEL, BAIL, 4" LINE PIPE HOSE CONNECTION 2" NPT FEMALE WIRELINE PASSAGE, 5 1/2" REG LH BOX STEM CONNECTION WITH 6 5/8" REG LH PIN SAVER SUB | | 60,040.00 |

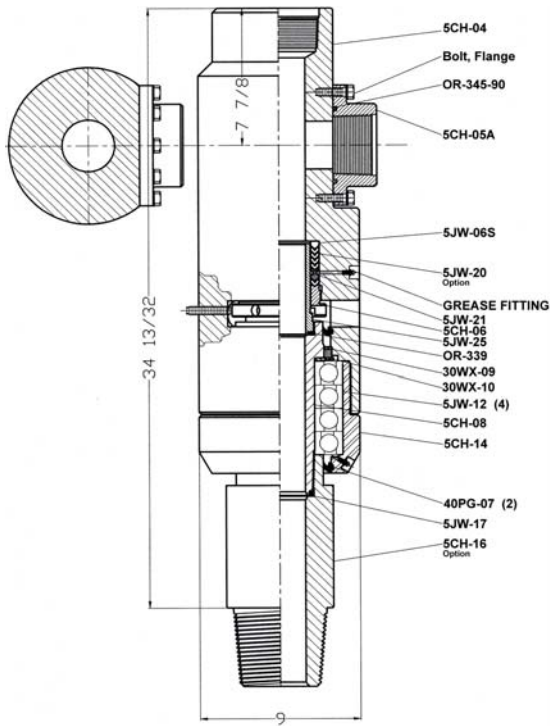
Other sizes of connections available, please consult factory.

Option for above swivel, may affect pricing of complete swivel. Other options available, please consult factory.



80A

5CH – 6,000 PSI RATED



- Circulating head
- Alloy steel construction
- Angular contact ball bearing for ample pressure and radial load support
- Grease lubricated bearing
- Grease lubricated & adjustable Chevron V-ring packing
- Optional connection available

TECHNICAL

| LENGTH | WIDTH | WEIGHT | UPPER CONN. | HOSE CONN. | LOWER CONN. | FLUID PASSAGE | WORKING PRESSURE |
|--------|-------|--------|-------------|------------|------------------|---------------|------------------|
| 34 1/2 | 9 | 285 | 4" L.P. | 3" NPT | 4 1/2" IF RH PIN | 3 | TO 6000 PSI |

WEIGHT CAPACITY
Designed for pressure load only

PARTS LIST

| PART NUMBER | NAME | QTY. REQ. | PRICE |
|--------------------|--|-----------|-----------|
| 5CH-6920-XX | WESTERN CIRCULATING HEAD, 4" FEMALE LINE PIPE UPPER CONNECTION, 3" NPT FEMALE HOSE CONNECTION WITH 4 1/2" IF RH PIN LOWER CONNECTION | | 7000.00 |
| | ADD FOR 3 1/2" IF RH PIN LOWER CONNECTION | | 250.00 |
| 5CH-04 | GOOSENECK/BODY (LINE PIPE ONLY) | 1 | 3681.24 |
| 5CH-05A | CONNECTION, HOSE, 3" NPT | 1 | 879.29 |
| 5CH-06 | PACKING ADJUSTING GLAND | 1 | 251.37 |
| 5JW-07 | HOUSING SEALS | 2 | 26.22 ea |
| 5CH-08 | BEARING SPINDLE | 1 | 1027.62 |
| 30WX-09 | SHIELD SEAL | 1 | 60.09 |
| 30WX-10 | BEARING SHIELD | 1 | 73.24 |
| 5JW-12 | BEARINGS | 4 | 279.26 ea |
| 5CH-14 | BEARING HOUSING | 1 | 1335.34 |
| 15WX-15 | HOUSING LOCK BOLT AND NUT | 1 | 7.84 |
| 5CH-16KE-RP | LOWER CONNECTION, (4 1/2" IF RH PIN) | 1 | 1457.85 |
| 5CH-16JE-RP | LOWER CONNECTION, (3 1/2" IF RH PIN) | Option | 1707.85 |
| 5JW-17 | SPINDLE THREAD SEAL | 1 | 18.48 |
| 5JW-20 | PACKING | 1 | 52.42 |
| 5JW-06S | PACKING SEAT RING, STEEL | 1 | 136.48 |
| 5JW-21 | LANTERN RING | 1 | 112.39 |
| 5JW-25 | WASHPIPE | 1 | 217.30 |
| OR-339 | O RING (WASHPIPE) | 1 | 4.00 |
| OR-345-90 | O RING (HOSE CONNECTION) | 1 | 4.00 |

Other sizes of connections available, please consult factory.

Option for above swivel, may affect pricing of complete swivel. Other options available, please consult factory.

