



BB6-STD Hammer w/3-1/2" API Reg Pin Wt. 189 lbs.

BB6-HD Hammer w/3-1/2" API Reg Pin Wt. 214 lbs.

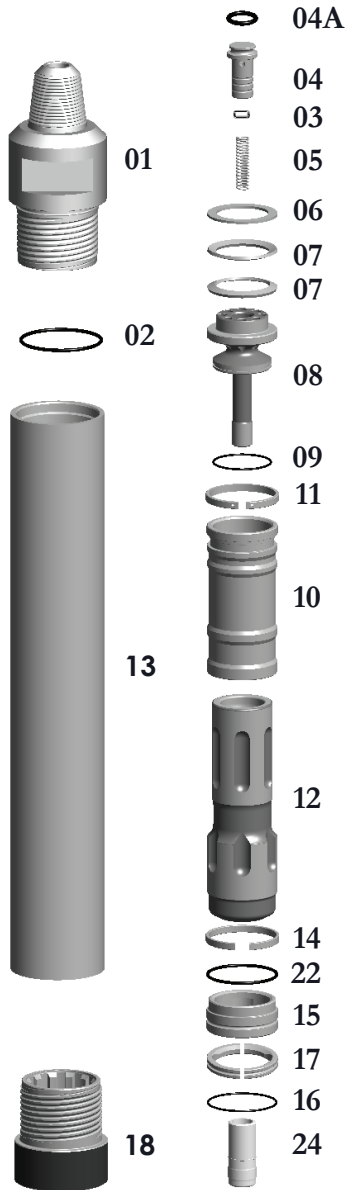
TAKES QL6 SHANKS

**SPECIAL BACKHEAD FEATURES—CALL OFFICE

Thread Change/Pin
Box Thread
Carbide Buttons
Special Flats

Replacement Parts

Hmr Part #	Description	Order #	Weight (lbs.)
BB6-01	Backhead 3-1/2" API REG PIN	EBB6-01	45.0
BB6-01HD	Backhead HD 3-1/2" API REG PIN	EBB6-01HD	47.0
BB6-02	**Replacement O-Ring for Backhead**	E6-16	0.1
BB6-03(S)	Choke Set	EBB6-03(S)	0.3
BB6-03	Choke Blank	EBB6-03	0.1
BB6-03A	1/8" Choke	EBB6-03A	0.1
BB6-03B	3/16" Choke	EBB6-03B	0.1
BB6-04	Check Valve Dart w/O-Ring	EBB6-04	1.1
BB6-04A	**Replacement O-Ring for Check Valve Dart**	EBB6-04A	0.1
BB6-05	Check Valve Dart Spring	EP6-05	0.4
BB6-06	Spacer	EBB6-06	0.2
BB6-07	Disc Spring (Requires 2)	EBB6-07	0.3/ea
BB6-08	Air Distributor w/O-Ring	EBB6-08	9.0
BB6-09	**Replacement O-Ring for Air Distributor**	EBB6-09	0.1
BB6-10	Cylinder w/Retainer Ring	EBB6-10	8.0
BB6-11	**Replacement Retainer Ring for Cylinder**	EBB6-11	0.5
BB6-12	Piston	EBB6-12	44.0
BB6-13	Wear Sleeve w/Retainer Ring	EBB6-13	65.0
BB6-13HD	Wear Sleeve w/Retainer Ring HD	EBB6-13HD	88.0
BB6-14	**Replacement Retainer Ring for Wear Sleeve**	EBB6-14	0.2
BB6-15	Bearing w/O-Ring	EBB6-15	2.0
BB6-22	**Replacement O-Ring for Bearing**	E6-14	0.2
BB6-17	Bit Retainer Ring w/O-Ring	EBB6-17	0.5
BB6-16	**Replacement O-Ring for Bit Retainer Ring**	EBB6-09	0.1
BB6-18	Chuck	EBB6-18	12.0
BB6-18-DM	Chuck - Ductile	EBB6-18-DM	12.0
BB6-18HD	Chuck HEAVY DUTY	EBB6-18HD	14.0
BB6-18HD-DM	Chuck - Ductile - HEAVY DUTY	EBB6-18HD-DM	14.0
BB6-20	Wear Washer (If Needed)	EBB6-20	0.2
BB6-21	Break Out Ring (Optional)	EBB6-21	0.5
BB6-24	Foot Valve	EQL6-24	0.5



	Outside Diameter		Hammer Length Pin		Hammer Length Box		Bit Size Range									
	IN.	MM.	IN.	MM.	IN.	MM.	IN.	MM.								
BB6	5-1/2	139.7	40-3/4	1035	44-3/8	1124	6-10	153-254								
BB6 HD	5-3/4	146.0	40-3/4	1035	44-3/8	1124	6-1/2-10	165-254								
Choke Size	200 PSI		13.8 BARS		250 PSI		17.2 BARS		300 PSI		20.7 BARS		350 PSI		24.1 BARS	
	IN.	MM.	IN.	MM.	IN.	MM.	IN.	MM.	IN.	MM.	IN.	MM.	IN.	MM.		
Blank	Blank		542	15.35	760	21.52	840	23.78	950	26.90						
1/8	3.18		569	16.11	800	22.65	888	25.14	1000	28.31						
3/16	4.76		597	16.90	848	24.01	946	26.78	1072	30.35						

The above air charts are based upon ideal conditions, your results may vary.