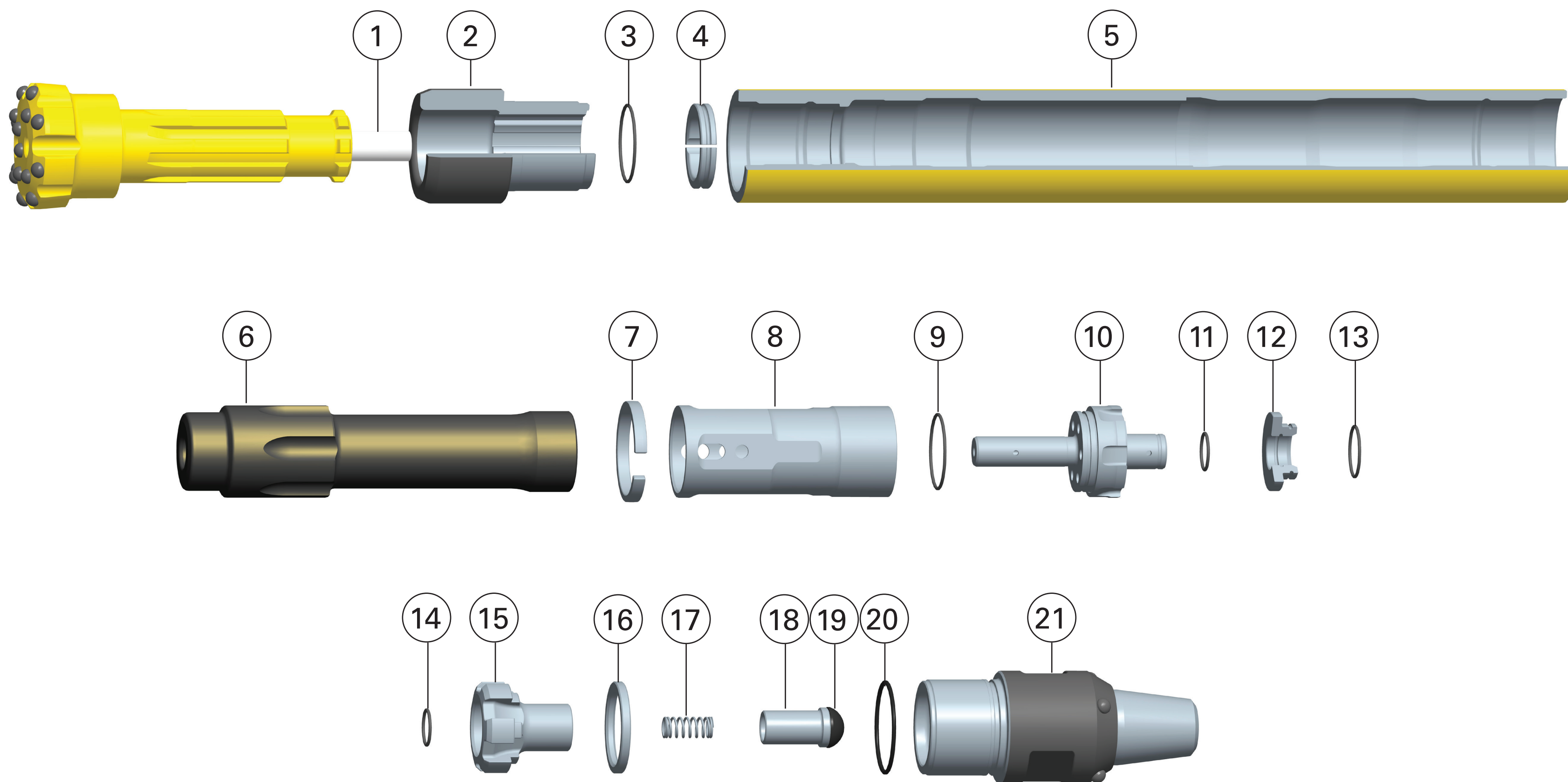


Secoroc QL 340

Down-the-hole hammer



Ref.	Part	Prod. No.	Product code
1	Exhaust Tube	86002883	9227
2	Chuck	92050398	9704-QL-00-000-34-000-001
3	O-ring (Bit retaining ring)	92050396	9704-QL-00-000-34-000-035
4	Bit retaining ring assembly	92050395	9704-QL-00-000-34-000-A02
5	Casing	92050397	9704-QL-00-000-00-000-004
6	Piston	92050403	9704-QL-00-000-34-000-005
7	Cylinder retain ring	92050400	9704-QL-00-000-00-000-062
8	Cylinder	92050399	9704-QL-00-000-00-000-048
9	O-ring (distributor)	92050402	9704-QL-00-000-00-000-038
10	Distributor	92050401	9704-QL-00-000-00-000-042
11	O-ring (inner valve)	92050409	9704-QL-00-000-00-000-049
12	Valve	92050404	9704-QL-00-000-00-000-044
13	O-ring (outer valve)	92050408	9704-QL-00-000-00-000-050
14	O-ring (valve cap)	92050406	9704-QL-00-000-00-000-029
15	Valve cap	92050405	9704-QL-00-000-00-000-074
16	Shim	92050414	9704-QL-00-000-00-000-026
17	Spring	92050411	9704-QL-00-000-00-000-016
18	Check valve	92050407	9704-QL-00-000-00-000-015
19	Check valve cap	92050238	9703-LD-LP-000-83-000-036
20	O-ring backhead	92050394	9704-QL-00-000-00-000-019
21	Backhead 2 3/8" API Reg Pin	92050393	9704-QL-00-10P-00-000-020

Hammers and Kits	Prod. No.	Product code
QL 340 hammer, complete, 2 3/8" API Reg Pin	92050412	9704-QL-00-10P-34-000
E-kit incl item 2, 5x3, 5, 9, 11, 12, 13, 14, 20, 21	92050440	9704-QL-00-10P-34-000-K40
Valve assembly incl. item 11, 12, 13	92050442	9704-QL-00-000-34-000-K45
O-ring kit incl. item 3, 9, 11, 12, 13, 14, 20	92050441	9704-QL-00-000-00-000-K70

Wear limits		
Casing	Min.OD	92mm
Piston/Casing clearance	Max	0.2mm
Piston/Control tube	Max	0.2mm
Foot valve	Min.OD	26.3mm
Exhaust tube protrusion		57+/- 1mm