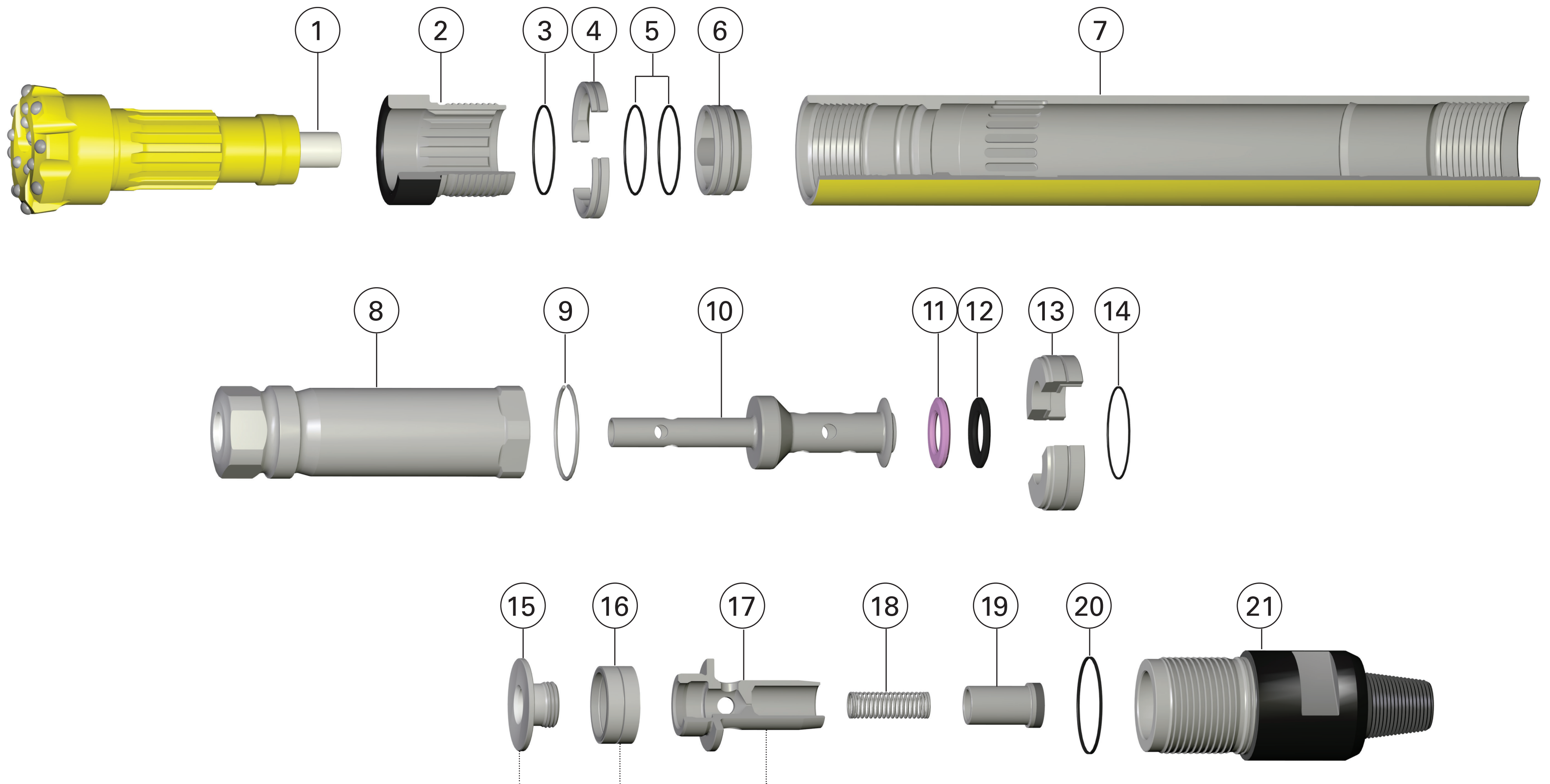


Secoroc COP 64 Gold

Down-the-hole hammer



Ref.	Part	Prod. No.	Product code
1	Exhaust tube	90514253	9283
2	Chuck for Standard version	89000961	9706-CG-00-000-26-000-001
2	Chuck for QM version	89000969	9706-CG-00-000-26-H00-001
3	O-ring* for Bit retaining ring	-	-
4	Bit retaining ring assembly incl. O-ring	89000968	9706-CG-00-000-26-000-A02
5	O-ring* for Bushing	-	-
6	Bushing	89000971	9706-CG-00-000-26-000-A22
7	Casing for Standard version	89000963	9706-CG-00-000-00-000-004
7	Casing for QM version	89000964	9706-CG-00-000-00-H00-004
8	Piston	89000972	9706-CG-00-000-26-000-005
9	Lock ring	89000073	9706-CO-00-000-00-000-006
10	Control tube	89000855	9706-CO-00-000-00-000-007
11	Lower buffer	89000867	9706-CO-00-000-00-000-011
12	Upper buffer	89000050	9706-CO-00-000-00-000-009
13	Cover assembly incl. O-ring	89000083	9706-CO-00-000-00-000-021
14	O-ring* for Cover	-	-
15	Spring stop incl. in item 16	-	-
16	Friction spring set assembly	89000857	9706-CO-00-000-00-000-A10
17	Valve body incl. in item 16	-	-
18	Spring check valve	89000829	9706-CO-00-000-00-000-016
19	Check valve assembly incl. seal	89000840	9706-CO-00-000-00-000-A17
20	O-ring* for Backhead	-	-

Ref.	Part	Prod. No.	Product code
21	Backhead assembly for Standard version, 3 1/2" API Reg Pin, incl. O-ring	89000447	9706-CO-00-14P-00-000-A20
21	Backhead assembly for QM version, 3 1/2" API Reg Pin, incl. O-ring	89000514	9706-CO-00-14P-00-HB0-A20

*O-rings not sold separately. Included in different kits below.

Hammers and Kits	Prod. No.	Product code
COP 64 Gold complete, 3 1/2" API Reg Pin	89000959	9706-CG-00-14P-26-000
COP 64 Gold complete QM, 3 1/2" API Reg Pin	89000960	9706-CG-00-14P-26-HB0
O-ring kit incl. item 3x3, 2x5, 14, 20	89001187	9706-CG-00-000-00-000-K47
Economy kit, 3 1/2" API Reg Pin incl. item 2, 3x3, 2x5, 7, 9, 11, 12, 14, 20, 21	89001110	9706-CG-00-14P-26-000-K40
Economy kit QM, 3 1/2" API Reg Pin incl. item 2, 3x3, 2x5, 7, 9, 11, 12, 14, 20, 21	89001098	9706-CG-00-14P-26-HB0-K40

Wear limits		
Casing	Min. OD	130 mm
Bit bushing	Max. ID	92,4 mm
Piston / Casing clearance	Max.	0,2 mm
Piston / Control tube	Max.	0,2 mm
Foot valve	Min. OD	45,7 mm
Exhaust tube protrusion		59 + / - 1 mm