



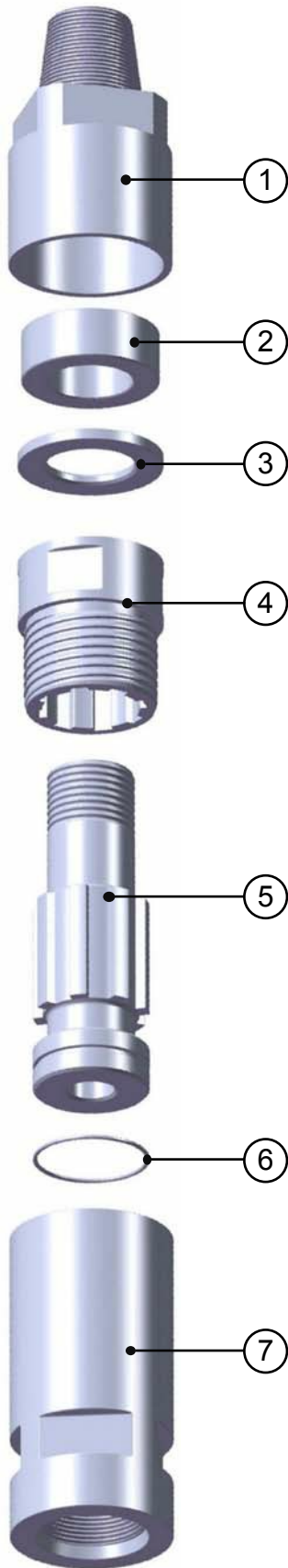
# HD Shock Absorbers 8" - 10"

Technical Brochure



Certificate Number 2446/00  
ISO9001

# Bulroc HD Series Shock Absorbers for use with larger hammers



SIZE	HDSA8 4 1/2" API	HDSA10 6 5/8" API
Effective Length	591 mm / 23.27"	635 mm / 25.00"
Outside Diameter	178 mm / 7.01"	216 mm / 8.50"
Net Weight	84 Kg / 184.8 lbs	98 Kg / 215.6 lbs

COMPONENTS		HDSA8 4 1/2" API	HDSA10 6 5/8" API
1	Top Connector	SA08ST0804M	SA10ST0880M
2	Buffer	SA08ST05	SA10ST05
3	Thrust Washer	SA08ST04	SA10ST04
4	Nut	SA08ST01	SA10ST01
5	Shaft	SA08ST02	SA10ST02
6	Shaft 'O' Ring	SA08ST03	SA10ST03
7	Bottom Connector	SA08ST0904F	SA10ST0980F
Complete Shock Absorber		SA08ST04MF	SA10ST080MF



**Manufacturers of Rock Drilling Equipment**  
 Turnoaks Business Park, Burley Close, Chesterfield,  
 Derbyshire, United Kingdom. S40 2UB  
 Tel : +44(0)1246 544700 Fax : +44(0)1246 544701  
 Email : info@bulroc.com Web: www.bulroc.com