



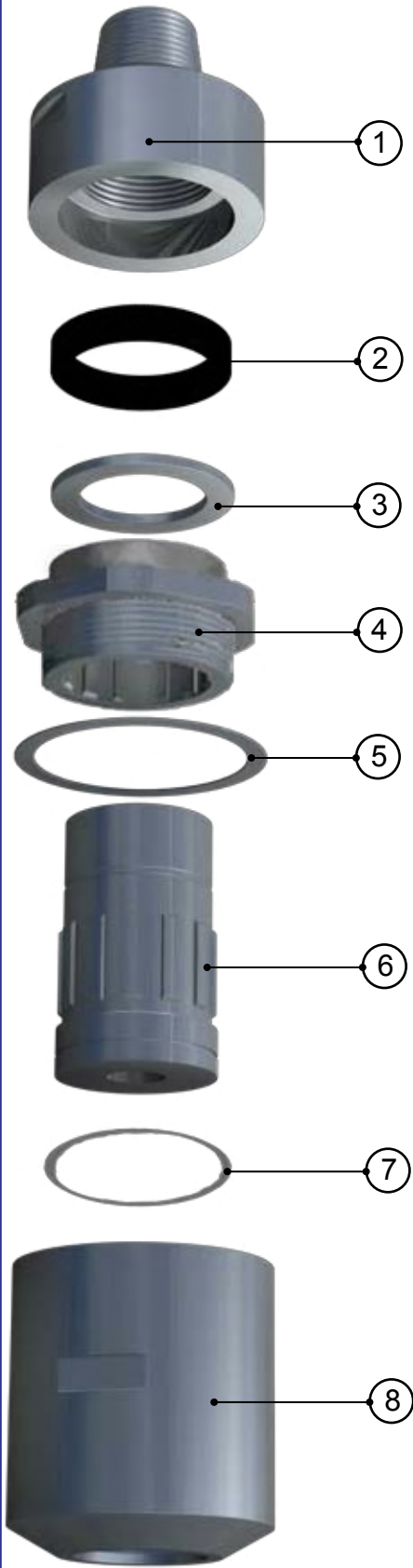
**Shock Absorbers  
18-24"**

**Technical Brochure**



Certificate Number 2446/00  
ISO9001

# Bulroc In The Hole Shock Absorber for use with 18" & 24" Hammers



Size	Imperial	Metric
Effective Length	28"	711 mm
Outside Diameter	16"	406 mm
Net Weight	1316 lbs	598 Kgs

Components		
1	Top Connector 8 5/8" API Reg Pin	SA18ST0882M
2	Buffer	SA18ST05
3	Thrust Washer	SA18ST04
4	Nut	SA18ST01
5	Breakout Washer	SA18ST25
6	Shaft	SA18ST02
7	Shaft 'O' Ring	SA18ST03
8	Bottom Connector 8 5/8" API Reg Box	SA18ST0982F
	Complete	SA18ST82MF



**Manufacturers of Rock Drilling Equipment**  
 Turnoaks Business Park, Burley Close, Chesterfield,  
 Derbyshire, United Kingdom. S40 2UB  
 Tel : +44(0)1246 544700 Fax : +44(0)1246 544701  
 Email : info@bulroc.com Web : www.bulroc.com